

# Milwaukee®

Nothing but **HEAVY DUTY**.®



## M12 BPRT

Original instructions  
Originalbetriebsanleitung  
Notice originale  
Istruzioni originali  
Manual original  
Manual original  
Oorspronkelijke  
gebruiksaanwijzing  
Original brugsanvisning  
Original bruksanvisning  
Bruksanvisning i original

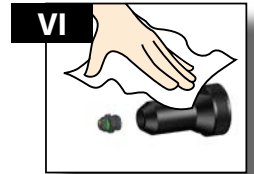
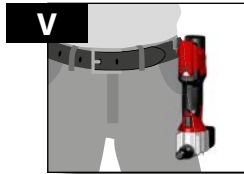
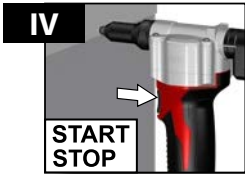
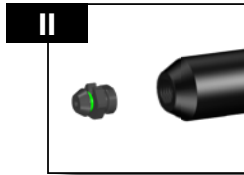
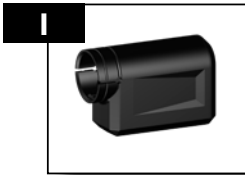
Alkuperäiset ohjeet  
Πρωτότυπο οδηγίων χρήσης  
Orijinal işletme talimatı  
Původním návodem k používání  
Pôvodný návod na použitie  
Instrukcją oryginalną  
Eredeti használati utasítás  
Izvirna navodila  
Originalne pogonske upute  
Instrukcijām oriēnālvadā  
Originali instrukcija

Algupärane kasutusjuhend  
Оригинальное руководство  
по эксплуатации  
Оригинално ръководство за  
експлоатация  
Instrucțiuni de folosire originale  
Оригинален прирачник за  
работа  
Оригінал інструкції з  
експлуатації  
التعليمات الأصلية

Technical Data, Safety Instructions, Specified Conditions of Use, EC-Declaration of Conformity, Batteries, Maintenance, Symbols	Please read and save these instructions!	<b>English</b>	<b>13</b>
Technische Daten, Sicherheitshinweise, Bestimmungsgemäße Verwendung, CE-Konformitätserklärung, Akku, Wartung, Symbole	Bitte lesen und aufbewahren!	<b>Deutsch</b>	<b>15</b>
Caractéristiques techniques, Instructions de sécurité, Utilisation conforme aux prescriptions, Déclaration CE de Conformité, Accus, Entretien, Symboles	A lire et à conserver soigneusement	<b>Français</b>	<b>18</b>
Dati tecnici, Norme di sicurezza, Utilizzo conforme, Dichiarazione di Conformità CE, Batterie, Manutenzione, Simboli	Si prega di leggere e conservare le istruzioni!	<b>Italiano</b>	<b>21</b>
Datos técnicos, Instrucciones de seguridad, Aplicación de acuerdo a la finalidad, Declaración de Conformidad CE, Batería, Mantenimiento, Símbolos	Lea y conserve estas instrucciones por favor!	<b>Español</b>	<b>24</b>
Características técnicas, Instruções de segurança, Utilização autorizada, Declaração de Conformidade CE, Acumulador, Manutenção, Símbolo	Por favor leia e conserve em seu poder!	<b>Português</b>	<b>27</b>
Technische gegevens, Veiligheidsadviezen, Voorgeschreven gebruik van het systeem, EC-Konformiteitsverklaring, Akku, Onderhoud, Symbolen	Lees en zet goed op deze adviezen!	<b>Nederlands</b>	<b>30</b>
Tekniske data, Sikkerhedshenvisninger, Tiltænkent formål, CE-Konformitetserklæring, Batteri, Vedligeholdelse, Symboler	Vær venlig at læse og opbevare!	<b>Dansk</b>	<b>33</b>
Tekniske data, Spesielle sikkerhetshenvisninger, Formålsmessig bruk, CE-Samsvarserklæring, Batterier, Vedlikehold, Symboler	Vennligst les og oppbevar!	<b>Norsk</b>	<b>35</b>
Tekniska data, Säkerhetsutrustning, Använd maskinen Enligt anvisningarna, CEFörsäkran, Batterier, Skötsel, Symboler	Läs igenom och spara!	<b>Svenska</b>	<b>37</b>
Tekniset arvot, Turvallisuusohjeet, Tarkoituksenmukainen käyttö, Todistus CE-standardinmukaisuudesta, Akku, Huolto, Symbolit	Lue ja säilytä!	<b>Suomi</b>	<b>39</b>
Τεχνικά στοιχεία, Ειδικές υποδείξεις ασφαλείας, Χρήση σύμφωνα με το σκοπό προοριζομένου, Δήλωση πιστότητας ΕΚ, Μπαταρίες, Χαρακτηριστικά, Συμβόλα.	Παρακαλώ διαβάστε τις και φυλάξτε τις!	<b>Ελληνικά</b>	<b>41</b>
Teknik veriler, Güvenliğinizi için talimatlar, Kullanım, CE uygunluk beyanince, Akü, Bakım, Semboller	Lütfen okuyun ve saklayın	<b>Türkçe</b>	<b>44</b>
Technická data, Speciální bezpečnostní upozornění, Oblast využití, Ce-prohlášení o shodě, Akumulátory, Údržba, Symboly	Po přečtení uschovejte	<b>Česky</b>	<b>47</b>
Technické údaje, Špeciálne bezpečnostné pokyny, Použitie podľa a predpisov, CE-Vyhľadanie konformity, Sieťová prípojka, Údržba, Symboly	Prosím prečítať a uschovať!	<b>Slovensky</b>	<b>49</b>
Dane techniczne, Specjalne zalecenia dotyczace bezpieczonestwa, Uzytkowanie zgodne z przeznaczeniem, Swiadectwo zgodnosci ce, Podlaczenie do sieci, Gwarancja, Symbole	Należy uważnie przeczytać i zachować do wglądu!	<b>Polski</b>	<b>52</b>
Műszaki adatok, Különleges biztonsági tudnivalók, Rendeltetésszerű használat, Ce-azonossági nyilatkozat, Hálózati csatlakoztatás, Karbantartás, Szimbólumok	Olvassa el és őrizze meg	<b>Magyar</b>	<b>55</b>
Tehnični podatki, Specialni varnostni napotki, Uporaba v skladu z namembnostjo, Ce-izjava o konformnosti, Omežni priključek, Vzdrževanje, Simboli	Prosimo preberite in shranite!	<b>Slovensko</b>	<b>58</b>
Tehnički podaci, Specijalne sigurnosne upute, Propisna upotreba, Ce-Izjava konformnosti, Priključak na mrežu, Održavanje, Simboli	Molimo pročitati i sačuvati	<b>Hrvatski</b>	<b>60</b>
Tehniskie dati, Speciālie drošības noteikumi, Noteikumiem atbilstošs izmantojums, Atbilstība CE normām, Tikla pieslēgums, Apkope, Simboli	Pielikums lietošanas pamācībai	<b>Latviski</b>	<b>62</b>
Techniniai duomenys, Ypatingos saugumo nuorodos, Naudojimas pagal paskirti, CE Atitikties pareiškimas, Elektros tinklo jungtis, Techninis aptarnavimas, Simboliai	Prašome perskaityti ir neišmesti!	<b>Lietuviškai</b>	<b>65</b>
Tehnilised andmed, Spetsiaalsed turvajuhised, Kasutamine vastavalt otstarbele, EÜ Vastavusavaldus, Võrku ühendamine, Hooldus, Sümbolid	Palun lugege läbi ja hoidke alal!	<b>Eesti</b>	<b>67</b>
Технические данные, Рекомендации по технике безопасности, Использо- вание, Подключение к электросети, Обслуживание, Символы	Пожалуйста прочтите и сохраните эту инструкцию.	<b>Русский</b>	<b>69</b>
Технически данни, Специални указания за безопасност, Използване по предназначение, CE-Декларация за съответствие, Свързване към мрежата, Поддръжка, Символи	Моля прочетете и запазете!	<b>Български</b>	<b>72</b>
Date tehnice, Instrucțiuni de securitate, Condiții de utilizare specificate, Declarație de conformitate, Acumulatori, Întreținere, Simboluri	Va rugăm citiți și păstrați aceste instrucțiuni	<b>Română</b>	<b>75</b>
Технички Податоци, Упатство За Употреба, Специфицирани Услови На Употреба, Еу-декларација За Сообразност, БАТЕРИИ, Одржување, Символи	Ве молиме прочитајте го и чувајте го ова упатство!	<b>Македонски</b>	<b>78</b>
Технічні характеристики, Вказівки З Техніки Безпеки, Використання за призначенням, Сертифікат Відповідності Вимогам Єс, Акумуляторна, Обслуговування, Символи	Прочитайте та збережіть цю інструкцію.	<b>Українська</b>	<b>81</b>
تعليقات السلامة، شروط الاستخدام المحددة، البطاريات، إعلان المطابقة - الاتحاد الأوروبي، الصيانة، الرموز	يرجى قراءة وحفظ هذه التعليمات!	<b>العربية</b>	<b>86</b>



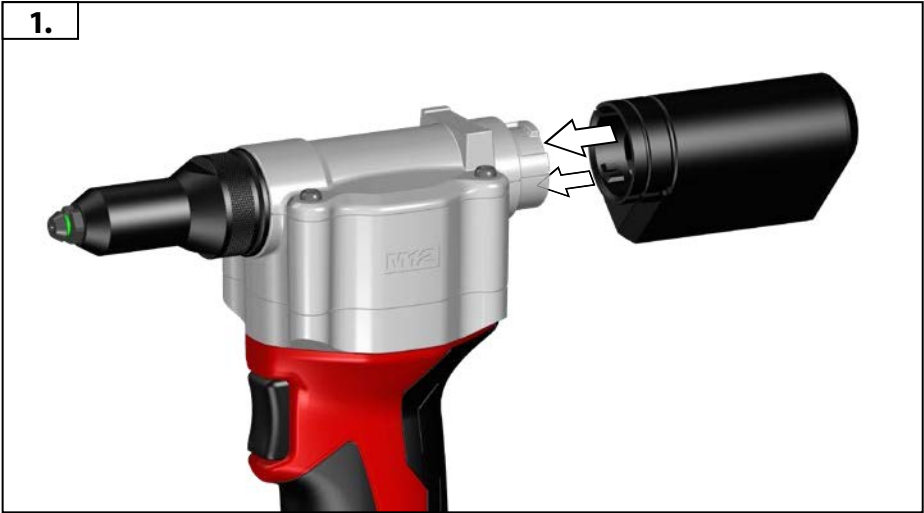


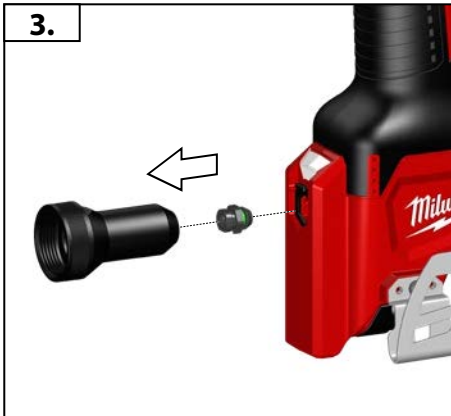
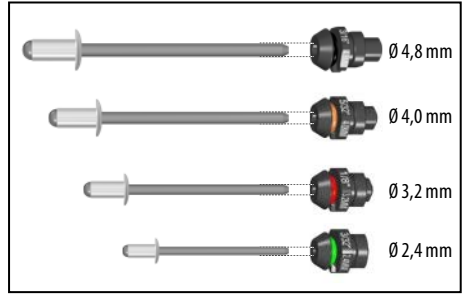
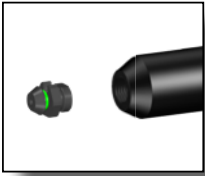


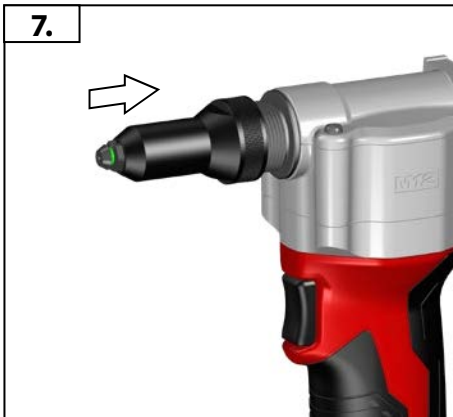
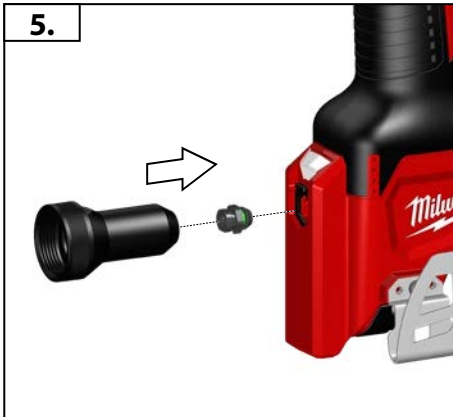
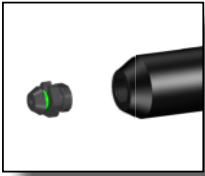
Accessory  
Zubehör  
Accessoires  
Accessorio

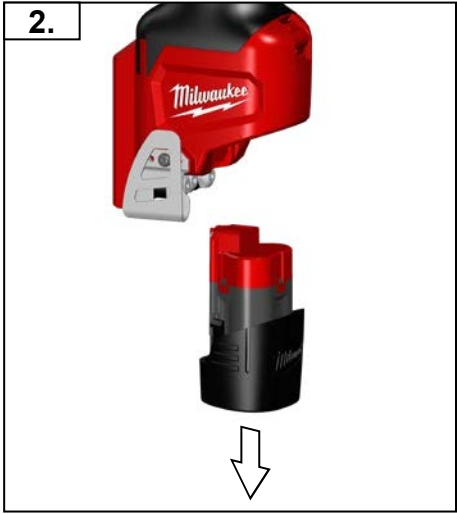
Accessorio • Acessório  
Toebehoren • Tilbehør  
Tilbehør • Tillbehör  
Lisälaite • Εξαρτήματα  
Aksesuar • Прилушення  
Prislušenstv • Wyposażenie  
Azokát a tartozékokat  
Oprema • Piederumi  
Priedas • Tarvikud  
Дополнитель • Аксессуары  
Accessorii • ополнительна  
опрема • Комплектуочи  
الملحق



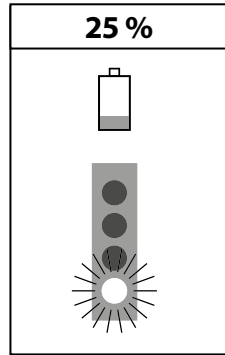
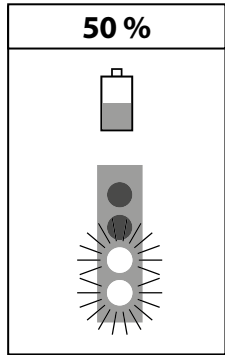
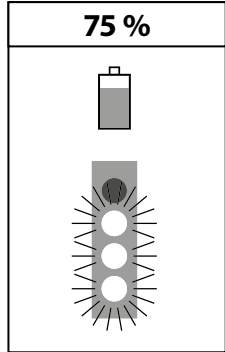
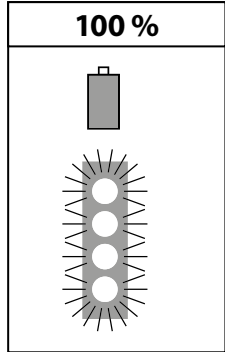














START  
STOP



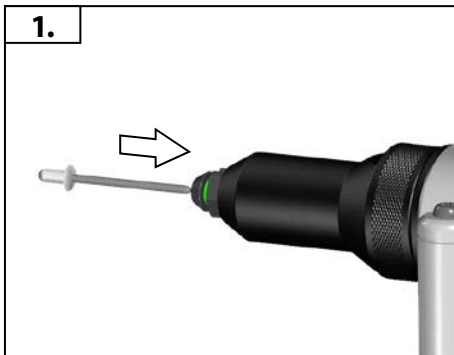
**Insulated gripping surface**

Isolierte Grifffläche  
Surface de prise isolée  
Superficie di presa isolata  
Superficie de agarre con aislamiento  
Superficie de pega isolada  
Geïsoleerde handgrepen  
Isolerede gribeflader  
Isolert gripeflate  
Isolerad greppyta  
Eristetty tarttumapinta  
Μονωμένη επιφάνεια λαβής  
İzolasyonlu tutma yüzeyi  
Izolovaná uchopovací plocha

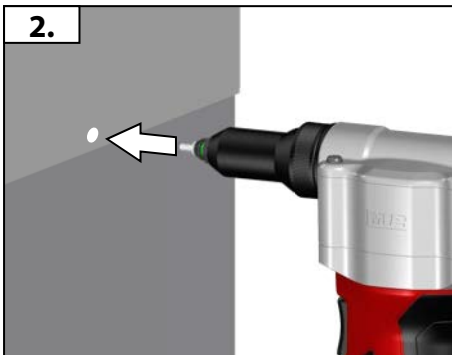
Izolovaná úchopná plocha  
Izolowana powierzchnia uchwytu  
Szigetelt fogófelület  
Izolirana prijemalna površina  
Izolirana površina za držanje  
Izolēta satveršanas virsma  
Izoliuotās rankenes pavišius  
Isolēeritūd pideme piirkond  
Изолированная поверхность ручки  
Изолирана повърхност за хващане  
Suprafajță de prindere izolată  
Ізолювана поверхня ручки

مساحة المقبض معزولة

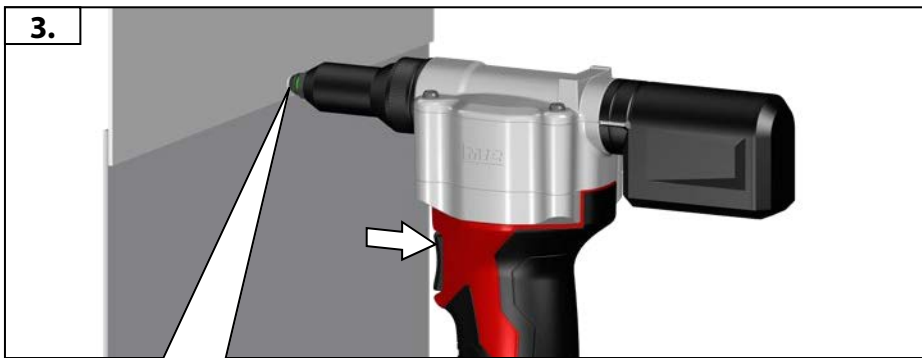
START  
STOP



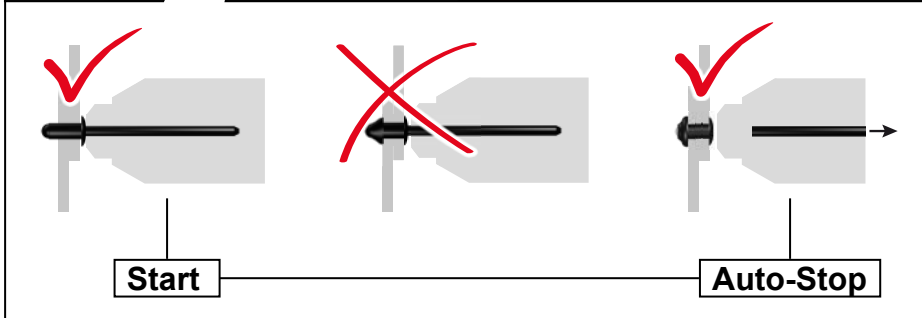
1.



2.

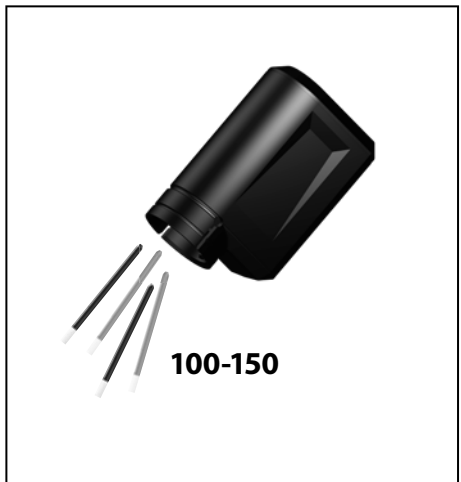
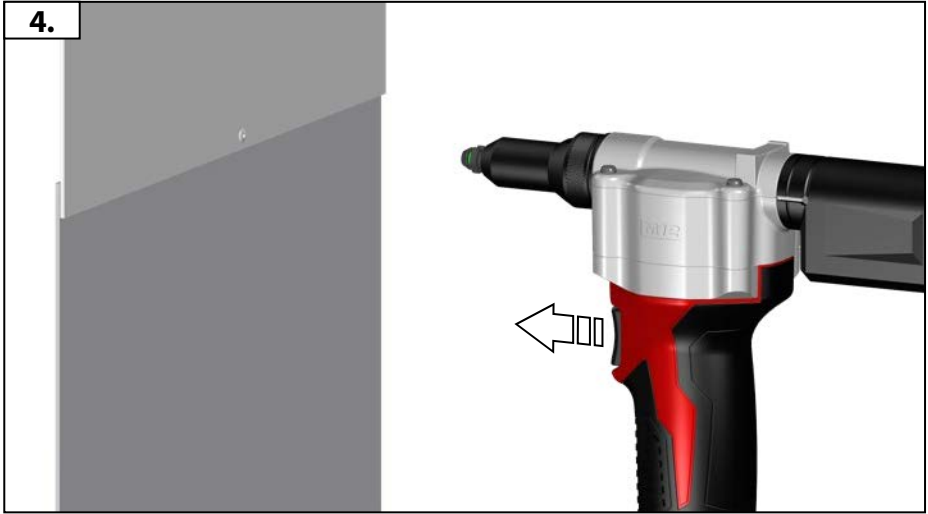


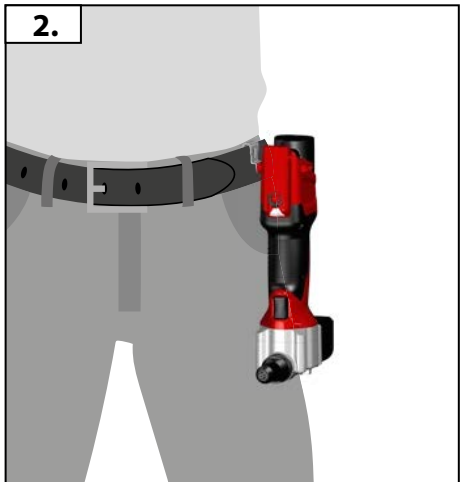
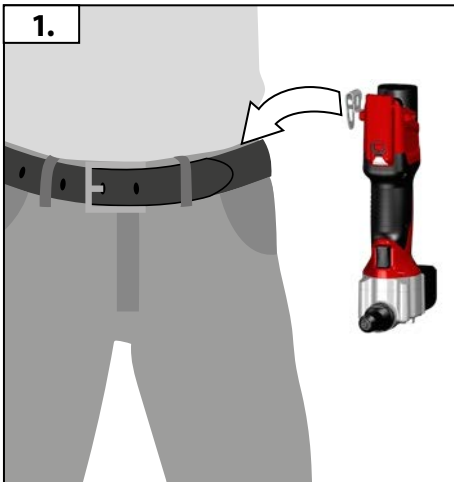
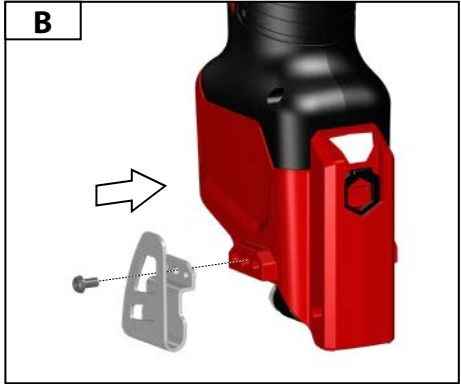
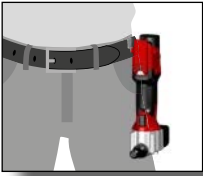
3.

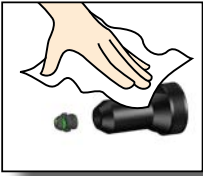


Start

Auto-Stop







5000 x Start

1.

A sequence of illustrations showing the disassembly of the tool. From left to right: a black handle, a green component, a black housing, a smaller black component, a silver pin, and a long silver threaded rod. A callout box shows a cross-section of the housing with three teeth, labeled '3x'. The first tooth has a red checkmark, and the second has a red X, indicating a specific cleaning or inspection procedure. On the right, the tool's air inlet is visible.

2.

A sequence of illustrations showing the cleaning of the threaded rod. On the left, a warning icon (exclamation mark in a triangle) is shown above a crossed-out faucet icon, indicating that water should not be used. On the right, a hand is shown cleaning the threaded rod with a white cloth.

3.

A sequence of illustrations showing the oiling of the tool. On the left, two oil cans labeled 'OIL' are shown. On the right, the disassembled tool components are shown, with the green component and black housing positioned to receive oil.



Accessory  
Zubehör  
Accessoires  
Accessorio  
Accessorio  
Acessório  
Toebehoren

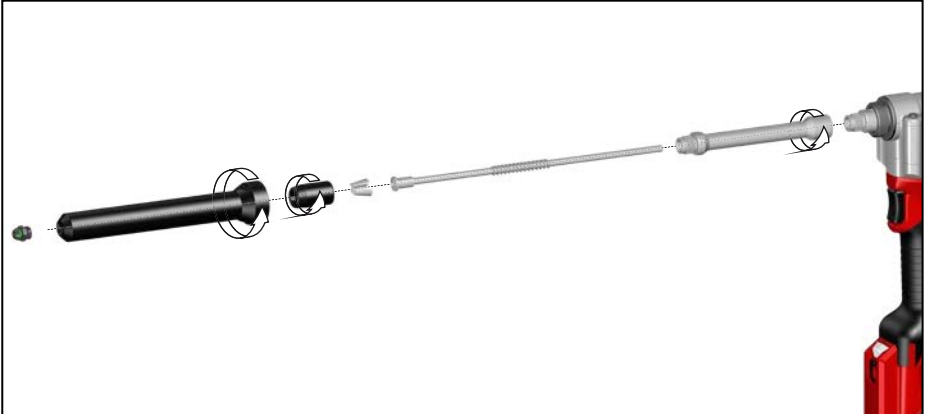
Tilbehør  
Tilbehør  
Tilbehør  
Lisälaite  
Εξαρτήματα  
Aksesuar  
Příslušenství

Prislušenstv  
Wyposażenie  
Tartozékokat  
Oprema  
Piederumi  
Prieda  
Tarvikud

Aksessuaarid  
Дополнитель  
Аксесоари  
Accessorii  
Додатоци  
Комплектуючи  
الملحق



VII



TECHNICAL DATA RIVET TOOL	M12 BPRT
Production code	4670 73 01... ... 000001-999999
Battery voltage	12 V
Jaw diameter max.	4,8 mm
Tool stroke length	20,3 mm
Pull force	9000 N
Rivet size Ø	
Black	4,8 mm
Brown	4,0 mm
Red	3,2 mm
Green	2,4 mm
Rivet material	Aluminium Copper Steel Stainless steel
Weight according EPTA-Procedure 01/2003 (Li-Ion 2,0 Ah)	2,1 kg
Recommended Ambient Operating Temperature	-18°C ... +50°C
Recommended battery types	M12B...
Recommended charger	C12C M12C4 M12-18 ...
<b>Noise information</b> Measured values determined according to EN 62841. Typically, the A-weighted noise levels of the tool are:	
Sound pressure level (Uncertainty K=3dB(A))	53,1 dB(A)
Sound power level (Uncertainty K=3dB(A))	64,1 dB(A)
<b>Wear ear protectors!</b>	
<b>Vibration information</b> Vibration total values (triaxial vector sum) determined according to EN 62841	
Vibration emission value <sub>a</sub> Uncertainty K=	0,1 m/s <sup>2</sup> 1,5 m/s <sup>2</sup>

### WARNING!

The vibration emission level given in this information sheet has been measured in accordance with a standardised test given in EN 62841 and may be used to compare one tool with another. It may be used for a preliminary assessment of exposure.

The declared vibration emission level represents the main applications of the tool. However if the tool is used for different applications, with different accessories or poorly maintained, the vibration emission may differ. This may significantly increase the exposure level over the total working period.

An estimation of the level of exposure to vibration should also take into account the times when the tool is switched off or when it is running but not actually doing the job. This may significantly reduce the exposure level over the total working period.

Identify additional safety measures to protect the operator from the effects of vibration such as: maintain the tool and the accessories, keep the hands warm, organisation of work patterns.

**⚠ WARNING Read all safety warnings, instructions, illustrations and specifications provided with this power tool.** Failure to follow the warnings and instructions may result in electric shock, fire and/or serious injury.  
**Save all warnings and instructions for future reference.**

### ⚠ RIVET TOOL SAFETY WARNINGS

**Hold the power tool by insulated gripping surfaces only, when performing an operation where the cutting accessory may contact hidden wiring.** Cutting accessory contacting a "live" wire may make exposed metal parts of the power tool "live" and could give the operator an electric shock.

**Use protective equipment.** The use of protective clothing is recommended, such as dust mask, protective gloves, sturdy non-slip footwear, helmet and ear defenders.

Have damage repaired immediately by an authorised workshop. Remove the battery pack before starting any work on the appliance.

To avoid injury and damage, never immerse the tool, removable battery or charger in liquid or allow liquid to penetrate them.

Use only System M12 chargers for charging System M12 battery packs. Do not use battery packs from other systems.

Never break open battery packs and chargers and store only in dry rooms. Keep dry at all times.

To reduce the risk of fire, personal injury, and product damage due to a short circuit, never immerse your tool, battery pack or charger in fluid or allow a fluid to flow inside them. Corrosive or conductive fluids, such as seawater, certain industrial chemicals, and bleach or bleach containing products, etc., can cause a short circuit.

### SPECIFIED CONDITIONS OF USE

This blind riveting power tool is designed for professional blind rivet setting applications.

### RESIDUAL RISK

In spite of the application of the relevant safety regulations and the implementation of safety devices, certain residual risks cannot be avoided. These are:

- Impairment of hearing.
- Risk of personal injury due flying particles

### MAINTENANCE

Remove the battery pack before starting any work on the appliance.

To avoid injury and damage, never immerse the tool, removable battery or charger in liquid or allow liquid to penetrate them.

The ventilation slots of the machine must be kept clear at all times. Service and repair work may only be carried out by authorised specialist workshops.

Use only Milwaukee accessories and Milwaukee spare parts. Should components need to be replaced which have not been described, please contact one of our Milwaukee service agents (see our list of guarantee/service addresses).

If needed, an exploded view of the tool can be ordered. Please state the Article No. as well as the machine type printed on the label and order the drawing at your local service agents or directly at: Techtronic Industries GmbH, Max-Eyth-Strasse 10, 71364 Winnenden, Germany.



## BATTERIES

Temperatures in excess of 50°C (122°F) reduce the performance of the battery pack. Avoid extended exposure to heat or sunshine (risk of overheating).

The contacts of chargers and battery packs must be kept clean.

For an optimum life-time, the battery packs have to be fully charged, after use. Battery packs which have not been used for some time should be recharged before use.

To obtain the longest possible battery life remove the battery pack from the charger once it is fully charged.

For battery pack storage longer than 30 days:, Store the battery pack where the temperature is below 27°C and away from moisture, Store the battery packs in a 30% - 50% charged condition, Every six months of storage, charge the pack as normal.

Do not dispose of used battery packs in the household refuse or by burning them. Milwaukee Distributors offer to retrieve old batteries to protect our environment.

Do not store the battery pack together with metal objects (short circuit risk).



## TRANSPORTING LITHIUM BATTERIES

Lithium-ion batteries are subject to the Dangerous Goods Legislation requirements.

Transportation of those batteries has to be done in accordance with local, national and international provisions and regulations.

The user can transport the batteries by road without further requirements.

Commercial transport of Lithium-Ion batteries by third parties is subject to Dangerous Goods regulations. Transport preparation and transport are exclusively to be carried out by appropriately trained persons and the process has to be accompanied by corresponding experts.

When transporting batteries:

Ensure that battery contact terminals are protected and insulated to prevent short circuit. Ensure that battery pack is secured against movement within packaging. Do not transport batteries that are cracked or leak. Check with forwarding company for further advice

## EC-DECLARATION OF CONFORMITY

We declare under our sole responsibility that the product described under "Technical Data" fulfills all the relevant provisions of the directives

2011/65/EU RoHS

2006/42/EC

2014/30/EU

and the following harmonized standards have been used.

EN 62841-1:2015

EN 55014-1:2017

EN 55014-2:2015

EN 50581:2012



Winnenden, 2018-02-20

Alexander Krug / Managing Director

Authorized to compile the technical file

Techtronic Industries GmbH

Max-Eyth-Straße 10, 71364 Winnenden, Germany

## SYMBOLS



Please read the instructions carefully before starting the machine.



Wear gloves!



Always wear goggles when using the machine.



Danger of electric shock



CAUTION! WARNING! DANGER!



Remove the battery pack before starting any work on the appliance.



Accessory - Not included in standard equipment, available as an accessory.



Do not dispose electric tools, batteries/rechargeable batteries together with household waste material. Electric tools and batteries that have reached the end of their life must be collected separately and returned to an environmentally compatible recycling facility. Check with your local authority or retailer for recycling advice and collection point.

V

Volts



Direct Current



European Conformity Mark



UkrSEPRO Conformity Mark



EurAsian Conformity Mark

English



TECHNISCHE DATEN NIETWERKZEUG	M12 BPRT
Produktionsnummer	4670 73 01... ... 000001-999999
Spannung Wechselakku	12 V
Spannbackendurchmesser max.	4,8 mm
Werkzeughublänge	20,3 mm
Zugkraft	9000 N
Nietgröße Ø	
Schwarz	4,8 mm
Braun	4,0 mm
Rot	3,2 mm
Grün	2,4 mm
Nietwerkstoff	Aluminium Kupfer Stahl Edelstahl
Gewicht nach EPTA-Prozedur 01/2003 (Li-Ion 2,0 Ah)	2,1 kg
Empfohlene Umgebungstemperatur für den Betrieb	-18°C ... +50°C
Empfohlene Akku Typen	M12B...
Empfohlene Ladegeräte	C12C M12C4 M12-18 ...
<b>Geräuschinformation</b>	
Messwerte ermittelt entsprechend EN 62841. Der A-bewertete Geräuschpegel des Gerätes beträgt typischerweise:	
Schalldruckpegel (Unsicherheit K=3dB(A))	53,1 dB(A)
Schalleistungspegel (Unsicherheit K=3dB(A))	64,1 dB(A)
<b>Gehörschutz tragen!</b>	
<b>Vibrationsinformationen</b>	
Schwingungsgesamtwerte (Vektorsumme dreier Richtungen) ermittelt entsprechend EN 62841.	
Schwingungsemissionswerte <sub>h</sub>	0,1 m/s <sup>2</sup>
Unsicherheit K=	1,5 m/s <sup>2</sup>

### WARNUNG!

Der in diesen Anweisungen angegebene Schwingungspegel ist entsprechend einem in EN 62841 genormten Messverfahren gemessen worden und kann für den Vergleich von Elektrowerkzeugen miteinander verwendet werden. Er eignet sich auch für eine vorläufige Einschätzung der Schwingungsbelastung.

Der angegebene Schwingungspegel repräsentiert die hauptsächlichen Anwendungen des Elektrowerkzeugs. Wenn allerdings das Elektrowerkzeug für andere Anwendungen, mit abweichenden Einsatzwerkzeugen oder ungenügender Wartung eingesetzt wird, kann der Schwingungspegel abweichen. Dies kann die Schwingungsbelastung über den gesamten Arbeitszeitraum deutlich erhöhen.

Für eine genaue Abschätzung der Schwingungsbelastung sollten auch die Zeiten berücksichtigt werden, in denen das Gerät abgeschaltet ist oder zwar läuft, aber nicht tatsächlich im Einsatz ist. Dies kann die Schwingungsbelastung über den gesamten Arbeitszeitraum deutlich reduzieren.

Legen Sie zusätzliche Sicherheitsmaßnahmen zum Schutz des Bedieners vor der Wirkung von Schwingungen fest wie zum Beispiel: Wartung von Elektrowerkzeug und Einsatzwerkzeugen, Warmhalten der Hände, Organisation der Arbeitsabläufe.



**WARNUNG** Lesen Sie alle Sicherheitshinweise, Anweisungen, Bebilderungen und technischen Daten, mit denen dieses Elektrowerkzeug versehen ist. Versäumnisse bei der Einhaltung der Sicherheitshinweise und Anweisungen können elektrischen Schlag, Brand und/oder schwere Verletzungen verursachen.

**Bewahren Sie alle Sicherheitshinweise und Anweisungen für die Zukunft auf.**



### SICHERHEITSHINWEISE FÜR NIETWERKZEUGE

**Halten Sie das Elektrowerkzeug nur an den isolierten Griffflächen, wenn Sie Arbeiten ausführen, bei denen das Einsatzwerkzeug verborgene Stromleitungen treffen kann.**

Der Kontakt mit einer spannungsführenden Leitung kann auch metallene Geräteteile unter Spannung setzen und zu einem elektrischen Schlag führen.

**Schutzausrüstung verwenden.** Schutzkleidung wie Staubschutzmaske, Schutzhandschuhe, festes und rutschsicheres Schuhwerk, Helm und Gehörschutz werden empfohlen.

Beschädigungen sofort von einer autorisierten Fachwerkstatt reparieren lassen.

Vor allen Arbeiten am Gerät den Wechselakku herausnehmen.

Um Verletzungen oder Schäden zu vermeiden, tauchen Sie ihr Werkzeug, Wechselakku oder Ladegerät nie in Flüssigkeit oder lassen eine Flüssigkeit in sie fließen.

Wechselakkus des Systems M12 nur mit Ladegeräten des Systems M12 laden. Keine Akkus aus anderen Systemen laden.

Wechselakkus und Ladegeräte nicht öffnen und nur in trockenen Räumen lagern. Vor Nässe schützen.

Um die durch einen Kurzschluss verursachte Gefahr eines Brandes, von Verletzungen oder Produktbeschädigungen zu vermeiden, tauchen Sie das Werkzeug, den Wechselakku oder das Ladegerät nicht in Flüssigkeiten ein und sorgen Sie dafür, dass keine Flüssigkeiten in die Geräte und Akkus eindringen. Korrodierende oder leitfähige Flüssigkeiten, wie Salzwasser, bestimmte Chemikalien und Bleichmittel oder Produkte, die Bleichmittel enthalten, können einen Kurzschluss verursachen.

### BESTIMMUNGSGEMÄSSE VERWENDUNG

Dieses Blindniet-Elektrowerkzeug ist für professionelle Blindnietanwendungen bestimmt.

### RESTRISIKEN

Trotz Beachtung der geltenden Sicherheitsvorschriften und des Einsatzes von Schutzvorrichtungen können bestimmte Risiken nicht vermieden werden. Diese sind:

- Beeinträchtigung des Gehörs.
- Verletzungsgefahr durch herumfliegende Teilchen.

### WARTUNG

Vor allen Arbeiten am Gerät den Wechselakku herausnehmen.

Um Verletzungen oder Schäden zu vermeiden, tauchen Sie ihr Werkzeug, Wechselakku oder Ladegerät nie in Flüssigkeit oder lassen eine Flüssigkeit in sie fließen.

Stets die Lüftungsschlitze der Maschine sauber halten.

Wartungs- und Reparaturarbeiten dürfen nur durch autorisierte Fachwerkstätten ausgeführt werden.

Nur Milwaukee Zubehör und Milwaukee Ersatzteile verwenden. Bauteile, deren Austausch nicht beschrieben wurde, bei einer Milwaukee Kundendienststelle auswechseln lassen (Broschüre Garantie/Kundendienstadressen beachten).



Bei Bedarf kann eine Explosionszeichnung des Gerätes unter Angabe der Maschinen Type und der sechsstelligen Nummer auf dem Leistungsschild bei Ihrer Kundendienststelle oder direkt bei Techtronic Industries GmbH, Max-Eyth-Straße 10, 71364 Winnenden, Germany angefordert werden.

#### AKKUS

Eine Temperatur über 50°C vermindert die Leistung des Wechselakkus. Längere Erwärmung durch Sonne oder Heizung vermeiden. Die Anschlusskontakte an Ladegerät und Wechselakku sauber halten.

Für eine optimale Lebensdauer müssen nach dem Gebrauch die Akkus voll geladen werden. Längere Zeit nicht benutzte Wechselakkus vor Gebrauch nachladen.

Für eine möglichst lange Lebensdauer sollten die Akkus nach dem Aufladen aus dem Ladegerät entfernt werden.

Bei Lagerung des Akkus länger als 30 Tage, Akku bei ca. 27°C und trocken lagern, Akku bei ca. 30%-50% des Ladezustandes lagern, Akku alle 6 Monate erneut aufladen.

Verbrauchte Wechselakkus nicht ins Feuer oder in den Hausmüll werfen. Milwaukee bietet eine umweltgerechte Alt-Wechselakku-Entsorgung an; bitte fragen Sie Ihren Fachhändler.

Wechselakkus nicht zusammen mit Metallgegenständen aufbewahren (Kurzschlussgefahr).



#### TRANSPORT VON LITHIUM-IONEN-AKKUS

Lithium-Ionen-Akkus fallen unter die gesetzlichen Bestimmungen zum Gefahrguttransport.

Der Transport dieser Akkus muss unter Einhaltung der lokalen, nationalen und internationalen Vorschriften und Bestimmungen erfolgen.

Verbraucher dürfen diese Akkus ohne Weiteres auf der Straße transportieren.

Der kommerzielle Transport von Lithium-Ionen-Akkus durch Speditionsunternehmen unterliegt den Bestimmungen des Gefahrguttransports. Die Versandvorbereitungen und der Transport dürfen ausschließlich von entsprechend geschulten Personen durchgeführt werden. Der gesamte Prozess muss fachmännisch begleitet werden.

Folgende Punkte sind beim Transport von Akkus zu beachten:

Stellen Sie sicher, dass die Kontakte geschützt und isoliert sind, um Kurzschlüsse zu vermeiden. Achten Sie darauf, dass der Akkupack innerhalb der Verpackung nicht verrutschen kann. Beschädigte oder auslaufende Akkus dürfen nicht transportiert werden. Wenden Sie sich für weitere Hinweise an Ihr Speditionsunternehmen.

#### CE-KONFORMITÄTSERKLÄRUNG

Wir erklären in alleiniger Verantwortung, dass das unter „Technische Daten“ beschriebene Produkt mit allen relevanten Vorschriften der Richtlinien

2011/65/EU RoHS

2006/42/EG

2014/30/EU

und den folgenden harmonisierten normativen Dokumenten übereinstimmt

EN 62841-1:2015

EN 55014-1:2017

EN 55014-2:2015

EN 50581:2012



Winnenden, 2018-02-20

Alexander Krug / Managing Director

Bevollmächtigt die technischen Unterlagen zusammenzustellen.

Techtronic Industries GmbH

Max-Eyth-Straße 10, 71364 Winnenden, Germany

## SYMBOLS



Bitte lesen Sie die Gebrauchsanweisung vor Inbetriebnahme sorgfältig durch.



Schutzhandschuhe tragen!



Beim Arbeiten mit der Maschine stets Schutzbrille tragen.



Gefahr eines elektrischen Schlags



ACHTUNG! WARNUNG! GEFAHR!



Vor allen Arbeiten am Gerät den Wechselakku herausnehmen.



Zubehör - Im Lieferumfang nicht enthalten, empfohlene Ergänzung aus dem Zubehörprogramm.



Elektrogeräte, Batterien/Akkus dürfen nicht zusammen mit dem Hausmüll entsorgt werden. Elektrische Geräte und Akkus sind getrennt zu sammeln und zur umweltgerechten Entsorgung bei einem Verwertungsbetrieb abzugeben. Erkundigen Sie sich bei den örtlichen Behörden oder bei Ihrem Fachhändler nach Recyclinghöfen und Sammelstellen.

**V** Spannung

 Gleichstrom



CE-Konformitätszeichen



UkrSEPRO Konformitätszeichen



EurAsian Konformitätszeichen





CARACTÉRISTIQUES TECHNIQUES MACHINE À RIVETER	M12 BPRT
Numéro de série	4670 73 01... ... 000001-999999
Tension accu interchangeable	12 V
Diamètre de la mâchoire max.	4,8 mm
Course du piston de l'outil	20,3 mm
Force de traction	9000 N
Taille de rivet Ø	
Noir	4,8 mm
Marron	4,0 mm
Rouge	3,2 mm
Vert	2,4 mm
Matériau du rivet	Aluminium Cuivre Acier Inox
Poids suivant EPTA-Procédure 01/2003 (Li-Ion 2,0 Ah)	2,1 kg
Température ambiante conseillée pour le fonctionnement	-18°C ... +50°C
Batteries conseillées	M12B...
Chargeurs conseillés	C12C M12C4 M12-18 ...
<b>Informations sur le bruit</b>	
Valeurs de mesure obtenues conformément à la EN 62841. Les mesures réelles (des niveaux acoustiques de l'appareil sont :	
Niveau de pression acoustique (Incertitude K=3dB(A))	53,1 dB(A)
Niveau d'intensité acoustique (Incertitude K=3dB(A))	64,1 dB(A)
<b>Toujours porter une protection acoustique!</b>	
<b>Informations sur les vibrations</b>	
Valeurs totales des vibrations (somme vectorielle de trois sens) établies conformément à EN 62841.	
Valeur d'émission vibratoire <sub>n</sub>	0,1 m/s <sup>2</sup>
Incertitude K=	1,5 m/s <sup>2</sup>

### AVERTISSEMENT!

Le niveau vibratoire indiqué dans ces instructions a été mesuré selon un procédé de mesure normalisé dans la norme EN 62841 et peut être utilisé pour comparer des outils électriques entre eux. Il convient aussi à une estimation provisoire de la sollicitation par les vibrations. Le niveau vibratoire indiqué représente les applications principales de l'outil électrique. Toutefois, si l'outil électrique est utilisé pour d'autres applications, avec des outils rapportés qui diffèrent ou une maintenance insuffisante, il se peut que le niveau vibratoire diverge. Cela peut augmenter nettement la sollicitation par les vibrations sur tout l'intervalle de temps du travail.

Pour une estimation précise de la sollicitation par les vibrations, on devrait également tenir compte des temps pendant lesquels l'appareil n'est pas en marche ou tourne sans être réellement en service. Cela peut réduire nettement la sollicitation par les vibrations sur tout l'intervalle de temps du travail.

Définissez des mesures de sécurité supplémentaires pour protéger l'utilisateur contre l'influence des vibrations, comme par exemple : la maintenance de l'outil électrique et des outils rapportés, le maintien au chaud des mains, l'organisation des déroulements de travail.

**AVERTISSEMENT** Lisez toutes les consignes de sécurité, instructions, présentations et données que vous recevez avec l'appareil. Le non-respect des avertissements et instructions indiqués ci après peut entraîner un choc électrique, un incendie et/ou de graves blessures sur les personnes.  
**Bien garder tous les avertissements et instructions.**

### CONSIGNES DE SÉCURITÉ DE LA MACHINE À RIVETER

**Maintenez l'appareil par les surfaces de poignée isolées lorsque vous exécutez des travaux pendant lesquels l'outil de coupe peut toucher des lignes électriques dissimulées.**

Le contact de l'outil de coupe avec un câble qui conduit la tension peut mettre les pièces métalliques de l'appareil sous tension et mener à une décharge électrique.

**Utiliser l'équipement de protection.** Il est recommandé de porter des articles de protection, tels que masque antipoussière, gants de protection, chaussures tenant bien aux pieds et antidérapantes, casque et protection acoustique.

Faire immédiatement réparer d'éventuels dommages chez une usine autorisée.

Avant tous travaux sur l'appareil retirer l'accu interchangeable.

Pour éviter des blessures et des dommages, ne jamais immerger l'outil, la batterie amovible ou le chargeur dans un liquide ou permettre à du liquide d'y pénétrer.

Ne charger les accus interchangeables du système M12 qu'avec le chargeur d'accus du système M12. Ne pas charger des accus d'autres systèmes.

Ne pas ouvrir les accus interchangeables et les chargeurs et ne les stocker que dans des locaux secs. Les protéger contre l'humidité.

Pour réduire le risque d'incendie, de blessures corporelles et de dommages cau-sés par un court-circuit, ne jamais immerger l'outil, le bloc-piles ou le chargeur dans un liquide ou laisser couler un fluide à l'intérieur de celui-ci. Les fluides corrosifs ou conducteurs, tels que l'eau de mer, certains produits chim-iques industriels, les produits de blanchiment ou de blanchi-ment, etc., Peuvent provoquer un court-circuit.

### UTILISATION CONFORME AUX PRESCRIPTIONS

Cet outil électrique pour rivet aveugle est conçu pour une utilisation professionnelle avec des rivets aveugles.

### RISQUES RÉSIDUELS

Malgré l'application des règles de sécurité pertinentes et l'intégration de dispositifs de sécurité, il n'est pas possible d'écartier tout risque résiduel. Il s'agit :

- Détérioration de l'audition.
- Risque de blessures physiques dû à des particules éjectées

## ENTRETIEN

Avant tous travaux sur l'appareil retirer l'accu interchangeable. Pour éviter des blessures et des dommages, ne jamais immerger l'outil, la batterie amovible ou le chargeur dans un liquide ou permettre à du liquide d'y pénétrer.

Tenir toujours propres les orifices de ventilation de la machine. Les interventions d'entretien et de réparation devront être effectués exclusivement par des usines spécialisées et autorisées.

Utiliser uniquement les accessoires Milwaukee et les pièces détachées Milwaukee. Faire remplacer les composants dont le remplacement n'a pas été décrit, par un des centres de service après-vente Milwaukee (observer la brochure avec les adresses de garantie et de service après-vente).

Si besoin est, une vue éclatée de l'appareil peut être fournie. S'adresser, en indiquant bien le numéro porté sur la plaque signalétique, à votre station de service après-vente (voir liste jointe) ou directement à Techtronic Industries GmbH, Max-Eyth-Straße 10, 71364 Winnenden, Germany.

## ACCUS

Une température supérieure à 50°C amoindrit la capacité des accus. Éviter les expositions prolongées au soleil ou au chauffage.

Tenir propres les contacts des accus et des chargeurs.

Pour une durée de vie optimale, les accus doivent être chargés à fond après l'utilisation. Recharger les accus avant utilisation après une longue période de non utilisation.

Pour une plus longue durée de vie, enlever les batteries du chargeur de batterie quand celles-ci seront chargées.

En cas d'entreposage de la batterie pour plus de 30 jours, Entrepoter la batterie à 27°C environ dans un endroit sec, Entrepoter la batterie avec une charge d'environ 30% - 50%, Recharger la batterie tous les 6 mois.

Ne pas jeter les accus interchangeables usés au feu ou avec les déchets ménagers. Milwaukee offre un système d'évacuation écologique des accus usés.

Ne pas conserver les accus interchangeables avec des objets métalliques (risque de court-circuit)

## TRANSPORT DE BATTERIES LITHIUM-ION

Les batteries lithium-ion sont soumises aux dispositions législatives concernant le transport de produits dangereux.

Le transport de ces batteries devra s'effectuer dans le respect des dispositions et des normes locales, nationales et internationales.

Les utilisateurs peuvent transporter ces batteries sans restrictions.

Le transport commercial de batteries lithium-ion est réglé par les dispositions concernant le transport de produits dangereux. La préparation au transport et le transport devront être effectués uniquement par du personnel formé de façon adéquate. Tout le procédé devra être géré d'une manière professionnelle.

Durant le transport de batteries il faut respecter les consignes suivantes :

S'assurer que les contacts soient protégés et isolés en vue d'éviter des courts-circuits. S'assurer que le groupe de batteries ne puisse pas se déplacer à l'intérieur de son emballage. Des batteries endommagées ou des batteries perdant du liquide ne devront pas être transportées. Pour tout renseignement complémentaire veuillez vous adresser à votre transporteur professionnel.

## DÉCLARATION CE DE CONFORMITÉ

Nous déclarons, sous notre responsabilité exclusive, que le produit décrit ici dans les « Caractéristiques techniques » satisfait à toutes les dispositions pertinentes des directives

2011/65/UE RoHS

2006/42/CE

2014/30/UE

et que les normes harmonisées suivantes ont été appliquées.

EN 62841-1:2015

EN 55014-1:2017

EN 55014-2:2015

EN 50581:2012



Winnenden, 2018-02-20

Alexander Krug / Managing Director

Autorisé à compiler la documentation technique.

Techtronic Industries GmbH

Max-Eyth-Straße 10, 71364 Winnenden, Germany



## SYMBOLES



Veillez lire avec soin le mode d'emploi avant la mise en service



Porter des gants de protection!



Toujours porter des lunettes protectrices en travaillant avec la machine.



Risque d'électrocution



ATTENTION! AVERTISSEMENT! DANGER!



Avant tous travaux sur l'appareil retirer l'accu interchangeable.



Accessoires - Ces pièces ne font pas partie de la livraison. Il s'agit là de compléments recommandés pour votre machine et énumérés dans le catalogue des accessoires.



Les dispositifs électriques, les batteries et les batteries rechargeables ne sont pas à éliminer dans les déchets ménagers. Les dispositifs électriques et les batteries sont à collecter séparément et à remettre à un centre de recyclage en vue de leur élimination dans le respect de l'environnement. S'adresser aux autorités locales ou au détaillant spécialisé en vue de connaître l'emplacement des centres de recyclage et des points de collecte.

**V** Tension (V c.a.)



Courant continu



Marque CE



Marque de qualité UkrSEPRO



Marque de qualité EurAsian



DATI TECNICI RIVETTATRICE	M12 BPRT
Numero di serie	4670 73 01... ... 000001-999999
Tensione batteria	12 V
Diametro ganaschia max.	4,8 mm
Lunghezza corsa dell'utensile	20,3 mm
Forza di trazione	9000 N
Dimensione rivetti Ø	
Nero	4,8 mm
Marrone	4,0 mm
Rosso	3,2 mm
Verde	2,4 mm
Materiale dei rivetti	Alluminio Rame Acciaio Acciaio inossidabile
Peso secondo la procedura EPTA 01/2003 (Li-Ion 2,0 Ah)	2,1 kg
Temperatura ambiente consigliata per il funzionamento	-18°C ... +50°C
Batterie consigliate	M12B...
Caricatori consigliati	C12C M12C4 M12-18 ...
<b>Informazioni sulla rumorosità</b>	
Valori misurati conformemente alla norma EN 62841. La misurazione A del livello di pressione acustica dell'utensile è di solito di:	
Livello di rumorosità (Incertezza della misura K=3dB(A))	53,1 dB(A)
Potenza della rumorosità (Incertezza della misura K=3dB(A))	64,1 dB(A)
<b>Utilizzare le protezioni per l'udito!</b>	
<b>Informazioni sulle vibrazioni</b>	
Valori totali delle oscillazioni (somma di vettori in tre direzioni) misurati conformemente alla norma EN 62841	
Valore di emissione dell'oscillazione $a_h$	0,1 m/s <sup>2</sup>
Incertezza della misura K=	1,5 m/s <sup>2</sup>

## AVVERTENZA!

Il livello di vibrazioni indicato nelle presenti istruzioni è stato misurato in conformità con un procedimento di misurazione codificato nella EN 62841 e può essere utilizzato per un confronto tra attrezzi elettrici. Inoltre si può anche utilizzare per una valutazione preliminare della sollecitazione da vibrazioni.

Il livello di vibrazioni indicato rappresenta le applicazioni principali dell'attrezzo elettrico. Se viceversa si utilizza l'attrezzo elettrico per altri scopi, con accessori differenti o con una manutenzione insufficiente, il livello di vibrazioni può risultare diverso. E questo può aumentare decisamente la sollecitazione da vibrazioni lungo l'intero periodo di lavorazione.

Ai fini di una valutazione precisa della sollecitazione da vibrazioni si dovrebbero tenere presente anche i periodi in cui l'apparecchio rimane spento oppure, anche se acceso, non viene effettivamente utilizzato. Ciò può ridurre notevolmente la sollecitazione da vibrazioni lungo l'intero periodo di lavorazione.

Stabilite misure di sicurezza supplementari per la tutela dell'operatore dall'effetto delle vibrazioni, come ad esempio: manutenzione dell'attrezzo elettrico e degli accessori, riscaldamento delle mani, organizzazione dei processi di lavoro.

**AVVERTENZA** Leggere tutte le avvertenze di sicurezza, le istruzioni, le illustrazioni e i dati forniti a corredo dell'apparecchio. In caso di mancato rispetto delle avvertenze di pericolo e delle istruzioni operative si potrà creare il pericolo di scosse elettriche, incendi e/o incidenti gravi. **Conservare tutte le avvertenze di pericolo e le istruzioni operative per ogni esigenza futura.**

## AVVERTENZE DI SICUREZZA PER LA RIVETTATRICE

**Impugnare l'apparecchio sulle superfici di tenuta isolate mentre si eseguono lavori durante i quali l'utensile da taglio potrebbe entrare in contatto con cavi di corrente.**

L'eventuale contatto dell'utensile da taglio con un cavo sotto tensione potrebbe mettere sotto tensione le parti metalliche dell'apparecchio e provocare una folgorazione.

**Usare dispositivi di protezione.** Si consiglia di indossare indumenti di protezione come maschera antipolvere, guanti di protezione, scarpe antiscivolo robuste, casco e cuffie di protezione acustica.

Fare immediatamente riparare eventuali danni da un'officina autorizzata.

Prima di iniziare togliere la batteria dalla apparecchiatura.

Per evitare lesioni o danni, non immergere mai l'utensile, la batteria rimovibile o il caricabatteria in un liquido e non consentire mai a un liquido di penetrare nell'utensile, nella batteria rimovibile o nel caricabatteria.

Le batterie del System M12 sono ricaricabili esclusivamente con i caricatori del System M12. Le batterie di altri sistemi non possono essere ricaricate.

Non aprire né la batteria né il caricatore e conservarli solo in luogo asciutto. Proteggerli dalla umidità.

Per ridurre il rischio d'incendio, di lesioni o di danni al prodotto causati da corto circuito, non immergere mai l'utensile, la batteria ricaricabile o il carica batterie in un liquido e non lasciare mai penetrare alcun liquido all'interno dei dispositivi e delle batterie. I fluidi corrosivi o conduttori come acqua salata, alcuni agenti chimici, agenti candeggianti o prodotti contenenti agenti candeggianti potrebbero provocare un corto circuito.

## UTILIZZO CONFORME

Questa rivettatrice cieca è progettata per applicazioni che prevedono l'apposizione di rivetti ciechi.

## RISCHI RESIDUI

Pur applicando le normative di sicurezza corrispondenti e impiegando dispositivi di sicurezza, alcuni rischi residui non possono essere evitati. I rischi sono i seguenti:

- Danni all'udito.
- Rischio di lesioni personali dovute a particelle volatili



## MANUTENZIONE

Prima di iniziare togliere la batteria dalla apparecchiatura.

Per evitare lesioni o danni, non immergere mai l'utensile, la batteria rimovibile o il caricabatteria in un liquido e non consentire mai a un liquido di penetrare nell'utensile, nella batteria rimovibile o nel caricabatteria.

Tener sempre ben pulite le fessure di ventilazione dell'apparecchio.

Gli interventi di manutenzione e di riparazione dovranno essere eseguiti esclusivamente da officine specializzate autorizzate.

Usare solo accessori Milwaukee e pezzi di ricambio Milwaukee. Gruppi costruttivi la cui sostituzione non è stata descritta, devono essere fatti cambiare da un punto di servizio di assistenza tecnica al cliente Milwaukee (vedi depliant garanzia/indirizzi assistenza tecnica ai clienti).

In caso di mancanza del disegno esploso, può essere richiesto al seguente indirizzo: Techtronic Industries GmbH, Max-Eyth-Straße 10, 71364 Winnenden, Germany.

## BATTERIE

A temperature superiori ai 50°C, la potenza della batteria si riduce. Evitare di esporre l'accumulatore a surriscaldamento prolungato, dovuto ad esempio ai raggi del sole o ad un impianto di riscaldamento.

Per una ottimale vita utile è necessario ricaricare completamente le batterie dopo l'uso. Batterie non utilizzate per molto tempo devono essere ricaricate prima dell'uso.

Per una più lunga durata, rimuovere le batterie dal caricabatterie quando saranno cariche.

In caso di immagazzinaggio della batteria per più di 30 giorni, immagazzinare la batteria a circa 27°C in ambiente asciutto., Immagazzinare la batteria con carica di circa il 30% - 50%, Ricaricare la batteria ogni 6 mesi.

Non gettare le batterie esaurite sul fuoco o nella spazzatura di casa. La Milwaukee offre infatti un servizio di recupero batterie usate.

Nel vano d'innesto per la batteria del caricatore non devono entrare parti metalliche.(pericolo di cortocircuito).

## TRASPORTO DI BATTERIE AGLI IONI DI LITIO

Le batterie agli ioni di litio sono soggette alle disposizioni di legge sul trasporto di merce pericolosa.

Il trasporto di queste batterie deve avvenire rispettando le disposizioni e norme locali, nazionali ed internazionali.

Gli utilizzatori possono trasportare queste batterie su strada senza alcuna restrizione.

Il trasporto commerciale di batterie agli ioni di litio è regolato dalle disposizioni sul trasporto di merce pericolosa. Le preparazioni al trasporto ed il trasporto stesso devono essere svolti esclusivamente da persone idoneamente istruite. Tutto il processo deve essere gestito in maniera professionale.

Durante il trasporto di batterie occorre tenere conto di quanto segue:

Assicurarsi che i contatti siano protetti ed isolati per evitare corto circuiti. Accertarsi che il gruppo di batterie non possa spostarsi all'interno dell'imballaggio. Batterie danneggiate o batterie che perdono liquido non devono essere trasportate. Per ulteriori informazioni si prega di contattare il proprio trasportatore.

## DICHIARAZIONE DI CONFORMITÀ CE

Assumendone la piena responsabilità, dichiariamo che il prodotto descritto nei "Dati tecnici" è conforme alle pertinenti disposizioni delle direttive

2011/65/UE RoHS

2006/42/CE

2014/30/UE

e che sono state applicate le seguenti norme armonizzate

EN 62841-1:2015

EN 55014-1:2017

EN 55014-2:2015

EN 50581:2012



Winnenden, 2018-02-20

Alexander Krug / Managing Director

Autorizzato alla preparazione della documentazione tecnica

Techtronic Industries GmbH

Max-Eyth-Straße 10, 71364 Winnenden, Germany





## SIMBOLI



Leggere attentamente le istruzioni per l'uso prima di mettere in funzione l'elettrodomestico.



Indossare guanti protettivi!



Durante l'uso dell'apparecchio utilizzare sempre gli occhiali di protezione.



Pericolo di scossa elettrica



ATTENZIONE! AVVERTENZA! PERICOLO!



Prima di iniziare togliere la batteria dalla apparecchiatura.



Accessorio - Non incluso nella dotazione standard, disponibile a parte come accessorio.



I dispositivi elettrici, le batterie e le batterie ricaricabili non devono essere smaltiti con i rifiuti domestici. I dispositivi elettrici e le batterie devono essere raccolti separatamente e devono essere conferiti ad un centro di riciclaggio per lo smaltimento rispettoso dell'ambiente. Chiedere alle autorità locali o al rivenditore specializzato dove si trovano i centri di riciclaggio e i punti di raccolta.

**V** Volt



Corrente continua



Marchio CE



TR 066

Marchio di conformità UkrSEPRO



Marchio di conformità EurAsian





DATOS TÉCNICOS HERRAMIENTA DE REMACHE		M12 BPRT
Número de producción	4670 73 01... ... 000001-999999	
Voltaje de batería	12 V	
Diámetro de las mordazas máx.	4,8 mm	
Carrera de la herramienta	20,3 mm	
Fuerza de tracción	9000 N	
Tamaño del remache Ø		
Negro	4,8 mm	
Marrón	4,0 mm	
Rojo	3,2 mm	
Verde	2,4 mm	
Material del remache	Aluminio Cobre Acero Acero inoxidable	
Peso de acuerdo con el procedimiento EPTA 01/2003 (Li-Ion 2,0 Ah)	2,1 kg	
Temperatura ambiente recomendada para la operación	-18°C ... +50°C	
Juegos de baterías recomendados	M12B...	
Cargadores recomendados	C12C M12C4 M12-18 ...	
<b>Información sobre ruidos</b>		
Determinación de los valores de medición según norma EN 62841. El nivel de ruido típico del aparato determinado con un filtro A corresponde a:		
Presión acústica (Tolerancia K=3dB(A))	53,1 dB(A)	
Resonancia acústica (Tolerancia K=3dB(A))	64,1 dB(A)	
<b>Usar protectores auditivos!</b>		
<b>Informaciones sobre vibraciones</b>		
Nivel total de vibraciones (suma vectorial de tres direcciones) determinado según EN 62841.		
Valor de vibraciones generadas <sub>h</sub>	0,1 m/s <sup>2</sup>	
Tolerancia K=	1,5 m/s <sup>2</sup>	

### ADVERTENCIA!

El nivel vibratorio indicado en estas instrucciones ha sido medido conforme a un método de medición estandarizado en la norma EN 62841, y puede utilizarse para la comparación entre herramientas eléctricas. También es apropiado para una estimación provisional de la carga de vibración.

El nivel vibratorio indicado representa las aplicaciones principales de la herramienta eléctrica. Si, pese a ello, se utiliza la herramienta eléctrica para otras aplicaciones, con útiles adaptables diferentes o con un mantenimiento insuficiente, el nivel vibratorio puede diferir. Esto puede incrementar sensiblemente la carga de vibración durante todo el periodo de trabajo.

Para una estimación exacta de la carga de vibración deberían tenerse en cuenta también los tiempos durante los que el aparato está apagado o, pese a estar en funcionamiento, no está siendo realmente utilizado. Esto puede reducir sustancialmente la carga de vibración durante todo el periodo de trabajo.

Adopte medidas de seguridad adicionales para la protección del operador frente al efecto de las vibraciones, como por ejemplo: mantenimiento de la herramienta eléctrica y de los útiles adaptables, mantener las manos calientes, organización de los procesos de trabajo.



**ADVERTENCIA** Lea las indicaciones de seguridad, instrucciones, descripciones y datos que se incluyen en el aparato. En caso de no atenerse a las advertencias de peligro e instrucciones siguientes, ello puede ocasionar una descarga eléctrica, un incendio y/o lesión grave. **Guardar todas las advertencias de peligro e instrucciones para futuras consultas.**



### ADVERTENCIAS DE SEGURIDAD DE LA HERRAMIENTA DE REMACHE

**Sujete el aparato de las superficies aisladas de agarre al efectuar trabajos en los cuales la perforadora de percusión pueda entrar en contacto con conductores de corriente ocultos.** El contacto de la perforadora de percusión con un conducto con energía aplicada también podrá poner bajo tensión partes metálicas del aparato y causar un choque eléctrico.

**Utilice el equipamiento de protección.** Se recomienda utilizar ropa de protección como máscara protectora contra el polvo, guantes protectores, calzado resistente y antideslizante, casco y protección para los oídos.

Los deterioros deben ser reparados inmediatamente por un taller especializado autorizado.

Retire la batería antes de comenzar cualquier trabajo el aparato.

Para evitar lesiones o daños, nunca sumerja la herramienta, la batería extraíble o el cargador en líquidos ni permita que penetre líquido en su interior.

Recargar solamente los acumuladores del Sistema M12 en cargadores M12. No intentar recargar acumuladores de otros sistemas.

No abra nunca las baterías ni los cargadores y guárdelos sólo en lugares secos. Protéjalos de la humedad en todo momento.

Para reducir el riesgo de incendio, lesión personales y daños al producto debido a un cortocircuito, no sumerja nunca la herramienta, el pa-quete de baterías o el cargador en líquido ni permita que fluya un fluido dentro de ellos. Los fluidos corrosivos o conductivos, como el agua de mar, ciertos productos químicos industriales y blanqueadores o lejías que contienen, etc., Pueden causar un cortocircuito.

### APLICACIÓN DE ACUERDO A LA FINALIDAD

Esta herramienta eléctrica de remache ciego está diseñada para aplicaciones profesionales de ajuste de remaches ciegos.

### PELIGROS RESIDUALES

A pesar de la aplicación de las normas de seguridad pertinentes y de la implementación de los dispositivos de seguridad, no se pueden evitar ciertos riesgos residuales. Estos son:

- Deterioro de la audición.
- Riesgo de lesiones personales debido la proyección de partículas

## MANTENIMIENTO

Retire la batería antes de comenzar cualquier trabajo el aparato.

Para evitar lesiones y daños, nunca sumerja la herramienta, la batería extraíble o el cargador en líquidos ni permita que penetre líquido en su interior.

Las ranuras de ventilación de la máquina deben estar despejadas en todo momento.

Los trabajos de mantenimiento y reparación deben ser realizados únicamente por talleres especializados autorizados.

Utilice solamente accesorios y repuestos Milwaukee. En caso de necesitar reemplazar componentes no descritos, contacte con cualquiera de nuestras estaciones de servicio Milwaukee (consultar lista de servicio técnicos)

En caso necesario, puede solicitar un despiece de la herramienta. Por favor indique el número de impreso que hay en la etiqueta y pida el despiece a la siguiente dirección: Techtronic Industries GmbH, Max-Eyth-Straße 10, 71364 Winnenden, Germany.

## BATERIA

Las temperaturas superiores a 50°C reducen el rendimiento de la batería. Evite una exposición excesiva a fuentes de calor o al sol (riesgo de sobrecalentamiento).

Los puntos de contacto de los cargadores y las baterías se deben mantener limpios.

Para un tiempo óptimo de vida, deberán cargarse las baterías completamente después de su uso. Las baterías no utilizadas durante cierto tiempo deben ser recargadas antes de usar.

Para garantizar la máxima capacidad y vida útil, las baterías recargables se deberían retirar del cargador una vez finalizada la carga.

En caso de almacenar la batería recargable más de 30 días; Almacenar la batería recargable en un lugar seco a una temperatura de aproximadamente 27°C., Almacenar la batería recargable con un estado de carga del 30% y 50% aproximadamente., Recargar la batería cada 6 meses.

No tire las baterías usadas a la basura ni al fuego. Los Distribuidores Milwaukee ofrecen un servicio de recogida de baterías antiguas para proteger el medio ambiente.

No almacene la batería con objetos metálicos (riesgo de cortocircuito).

## TRANSPORTE DE BATERÍAS DE IONES DE LITIO

Las baterías de iones de litio caen bajo las disposiciones legales relativas al transporte de mercancías peligrosas.

El transporte de estas baterías recargables debe llevarse a cabo, observando las normas y disposiciones locales, nacionales e internacionales.

Los consumidores pueden transportar estas baterías recargables sin el menor reparo en la calle.

El transporte comercial de baterías recargables de iones de litio por empresas de transportes está sometido a las disposiciones del transporte de mercancías peligrosas. Las preparaciones para el envío y el transporte deben ser llevados a cabo exclusivamente por personas instruidas adecuadamente. El proceso completo debe ser supervisado por personal competente.

Los siguientes puntos se deben observar para el transporte de las baterías recargables:

Se debe asegurar que los contactos estén protegidos y aislados para evitar que se produzcan cortocircuitos. Preste atención a que el conjunto de baterías recargables no se pueda desplazar dentro del envase. Las baterías recargables deterioradas o derramadas no se deben transportar. Rogamos que para cualquier información adicional se dirija a su empresa de transportes.

## DECLARACION DE CONFORMIDAD CE

Declaramos bajo nuestra única responsabilidad que el producto descrito bajo „Datos técnicos“ cumple todas las disposiciones pertinentes de las directivas

2011/65/UE RoHS

2006/42/CE

2014/30/UE

y que se han implementado y estándares

EN 62841-1:2015

EN 55014-1:2017

EN 55014-2:2015

EN 50581:2012



Winnenden, 2018-02-20

Alexander Krug / Managing Director

Autorizado para la redacción de los documentos técnicos.

Techtronic Industries GmbH

Max-Eyth-Straße 10, 71364 Winnenden, Germany



## SÍMBOLOS



Lea las instrucciones detenidamente antes de conectar la herramienta



Usar guantes protectores



Para trabajar con la máquina, utilizar siempre gafas de protección.



Peligro de descarga eléctrica



¡ATENCIÓN! ¡ADVERTENCIA! ¡PELIGRO!



Retire la batería antes de comenzar cualquier trabajo el aparato.



Accesorio - No incluido en el equipo estándar, disponible en la gama de accesorios.



Los electrodomésticos y las baterías/acumuladores no se deben eliminar junto con la basura doméstica. Los aparatos eléctricos y los acumuladores se deben recoger por separado y se deben entregar a una empresa de reciclaje para una eliminación respetuosa con el medio ambiente. Infórmese en las autoridades locales o en su tienda especializada sobre los centros de reciclaje y puntos de recogida.

**V**

Voltios de CA



Corriente continua



Marca CE



Certificado UkrSEPRO de conformidad

TR 066



Certificado EAC de conformidad

CARACTERÍSTICAS TÉCNICAS FERRAMENTA DE REBITES	M12 BPRT
Número de produção	4670 73 01... ... 000001-999999
Tensão do acumulador	12 V
Diâmetro da boca no máx.	4,8 mm
Extensão do movimento da ferramenta	20,3 mm
Força de tração	9000 N
Tamanho do rebite Ø	
Preto	4,8 mm
Marrom	4,0 mm
Vermelho	3,2 mm
Verde	2,4 mm
Material do rebite	alumínio cobre Aço Aço inoxidável
Peso nos termos do procedimento-EPTA 01/2003 (Li-Ion 2,0 Ah)	2,1 kg
Temperatura ambiente recomendada para a operação	-18°C ... +50°C
Conjuntos de baterias recomendados	M12B...
Carregadores recomendados	C12C M12C4 M12-18 ...
<b>Informações sobre ruído</b>	
Valores de medida de acordo com EN 62841. O nível de ruído avaliado A do aparelho é tipicamente:	
Nível da pressão de ruído (Incertez K=3dB(A))	53,1 dB(A)
Nível da potência de ruído (Incertez K=3dB(A))	64,1 dB(A)
<b>Use protectores auriculares!</b>	
<b>Informações sobre vibração</b>	
Valores totais de vibração (soma dos vectores das três direcções) determinadas conforme EN 62841.	
Valor de emissão de vibração <sub>h</sub>	0,1 m/s <sup>2</sup>
Incerteza K=	1,5 m/s <sup>2</sup>

### ATENÇÃO!

O nível vibratório indicado nestas instruções foi medido em conformidade com um procedimento de medição normalizado na EN 62841 e pode ser utilizado para comparar entre si ferramentas eléctricas. O mesmo é também adequado para avaliar provisoriamente o esforço vibratório.

O nível vibratório indicado representa as principais aplicações da ferramenta eléctrica. Se, no entanto, a ferramenta eléctrica for utilizada para outras aplicações, com outras ferramentas adaptadas ou uma manutenção insuficiente, o nível vibratório poderá divergir. Isto pode aumentar consideravelmente o esforço vibratório ao longo de todo o período do trabalho.

Para uma avaliação exacta do esforço vibratório devem também ser considerados os tempos durante os quais o aparelho está desligado ou está a funcionar, mas não está efectivamente a ser utilizado. Isto pode reduzir consideravelmente o esforço vibratório ao longo de todo o período do trabalho.

Defina medidas de segurança suplementares para proteger o operador do efeito das vibrações, como por exemplo: manutenção da ferramenta eléctrica e das ferramentas adaptadas, manter as mãos quentes, organização das sequências de trabalho.

**ATENÇÃO** Ler todas as indicações de segurança, instruções, representações e dados fornecidos juntamente com o aparelho. O desrespeito das advertências e instruções apresentadas abaixo pode causar choque eléctrico, incêndio e/ou graves lesões. **Guarde bem todas as advertências e instruções para futura referência.**

### ALERTAS DE SEGURANÇA DA FERRAMENTA DE REBITES

**Segure o aparelho nas superfícies de punho isoladas se estiver a executar trabalhos, nos quais a ferramenta de corte pode tocar em linhas eléctricas escondidas.** O contacto da ferramenta de corte com uma linha sob tensão também pode colocar peças metálicas do aparelho sob tensão e levar a um choque eléctrico.

**Utilizar equipamento de protecção.** Vestuário de protecção, bem como máscara de pó, sapatos fechados e antiderrapante, capacete e protecção auditiva são recomendados.

Deixe uma oficina especializada reparar os danos imediatamente.

Antes de efectuar qualquer intervenção o aparelho retirar o bloco acumulador.

Para evitar lesões e danos, nunca mergulhe a ferramenta, a bateria amovível ou o carregador em líquidos nem permita que entrem líquidos no seu interior.

Use apenas carregadores do Sistema M12 para recarregar os acumuladores do Sistema M12. Não utilize acumuladores de outros sistemas.

Carregadores só devem ser utilizados em recintos secos.

Para evitar o risco de incêndio, de feridas ou de danificação do produto causado por um curto-circuito, não imerja a bateria intercambiável ou o carregador em líquidos e assegure-se de que líquidos não penetrem nos aparelhos ou nas baterias. Líquidos corrosivos ou condutivos como água salgada, determinadas substâncias químicas ou produtos que contenham branqueadores podem causar um curto-circuito.

### UTILIZAÇÃO AUTORIZADA

Esta ferramenta eléctrica de rebiteagem foi concebida para fins de aplicações profissionais de rebites cegos.

### RISCOS RESIDUAIS

Apesar da aplicação dos regulamentos de segurança pertinentes e de serem implementados dispositivos de protecção, é impossível evitar certos riscos residuais. Tais riscos são:

- Perda de audição.
- Risco de lesões pessoais provocadas por partículas em suspensão



## MANUTENÇÃO

Antes de efectuar qualquer intervenção o aparelho retirar o bloco acumulador.

Para evitar lesões e danos, nunca mergulhe a ferramenta, a bateria amovível ou o carregador em líquidos nem permita que entrem líquidos no seu interior.

Manter desobstruídos os rasgos de ventilação na carcaça da máquina.

Trabalhos de manutenção e reparação só devem ser executados por oficinas autorizadas.

Utilizar apenas acessórios Milwaukee e peças sobresselentes Milwaukee. Os componentes cuja substituição não esteja descrita devem ser substituídos num serviço de assistência técnica Milwaukee (consultar a brochura relativa à garantia/moradas dos serviços de assistência técnica).

A pedido e mediante indicação da referência que consta da chapa de características da máquina, pode requerer-se um desenho explosivo da ferramenta eléctrica a: Techtronic Industries GmbH, Max-Eyth-Straße 10, 71364 Winnenden, Germany.



Por

## ACUMULADOR

Temperaturas acima de 50°C reduzem a capacidade do bloco acumulador. Evitar exposição prolongada ao sol ou a caloríferos.

Manter limpos os contactos eléctricos no carregador e no bloco acumulador.

Para uma vida útil óptima das baterias, terá que carregá-las plenamente após a sua utilização. Acumuladores não utilizados durante algum tempo devem ser recarregados antes da sua utilização.

Para assegurar uma vida útil longa, o pacote de bateria deve ser removido da carregadora depois do carregamento.

Se o pacote de bateria for armazenado por mais de 30 dias, Armazene o pacote de bateria com aprox. 27°C em um lugar seco., Armazene o pacote de bateria com aprox. 30%-50% da carga completa., Carregue o pacote de bateria novamente de 6 em 6 meses.

Não queimar acumuladores gastos nem deitá-los no lixo doméstico. A Milwaukee possui uma eliminação de acumuladores gastos que respeita o meio ambiente.

Não guardar acumuladores junto com objectos metálicos (perigo de curto-circuito).

## TRANSPORTE DE BATERIAS DE IÃO-LÍCIO

Baterias de ião-lítio estão sujeitas às disposições da legislação relativa às substâncias perigosas.

O transporte destas baterias deve ser efectuado de acordo com as disposições e os regulamentos locais, nacionais e internacionais.

O utilizador pode efectuar o transporte rodoviário destas baterias sem restrições.

O transporte comercial de baterias de ião-lítio por terceiros está sujeito aos regulamentos relativos às substâncias perigosas. A preparação do transporte e o transporte devem ser executados exclusivamente por pessoas instruídas e o processo deve ser acompanhado pelos especialistas correspondentes.

Observe o seguinte no transporte de baterias:

Assegure-se de que os contactos terminais estejam protegidos e isolados para evitar um curto-circuito. Assegure-se de que o bloco da bateria esteja protegido contra movimentos na embalagem.

Não transporte baterias danificadas ou que tenham fuga. Para instruções mais detalhadas consulte a companhia de transportes

## DECLARAÇÃO DE CONFORMIDADE CE

Declaramos, sob a nossa inteira responsabilidade, que o produto descrito em «Dados Técnicos» cumpre todas as disposições relevantes das directivas

2011/65/UE RoHS

2006/42/CE

2014/30/UE

tendo sido seguidas as seguintes normas harmonizadas

EN 62841-1:2015

EN 55014-1:2017

EN 55014-2:2015

EN 50581:2012



Winnenden, 2018-02-20

Alexander Krug / Managing Director

Autorizado a reunir a documentação técnica.

Techtronic Industries GmbH

Max-Eyth-Straße 10, 71364 Winnenden, Germany

## SYMBOLE



Leia atentamente o manual de instruções antes de colocar a máquina em funcionamento.



Use luvas de protecção!



Usar sempre óculos de protecção ao trabalhar com a máquina.



Perigo de choque eléctrico



ATENÇÃO! PERIGO!



Antes de efectuar qualquer intervenção o aparelho retirar o bloco acumulador.



Accessório - Não incluído no equipamento normal, disponível como acessório.



Aparelhos eléctricos, baterias/acumuladores não devem ser jogados no lixo doméstico. Os aparelhos eléctricos e as baterias devem ser colectados separadamente e entregues a uma empresa de reciclagem para a eliminação correcta. Solicite informações sobre empresas de reciclagem e postos de colecta de lixo das autoridades locais ou do seu vendedor autorizado.

**V** Volts de CA

 Corrente contínua



Marca CE



TR 066

Marca de conformidade UkrSEPRO.



Marca de conformidade EurAsian.





TECHNISCHE GEGEVENS POPNADELGEREEDSCHAP	M12 BPRT
Productienummer	4670 73 01... ... 000001-999999
Spanning wisselakku	12 V
Bekdiameter max.	4,8 mm
Slaglengthe van het gereedschap	20,3 mm
Trekkkracht	9000 N
Popnagelafmeting Ø	
Zwart	4,8 mm
Bruin	4,0 mm
Rood	3,2 mm
Groen	2,4 mm
Popnagelmateriaal	Aluminium Koper Staal Edelstaal
Gewicht volgens de EPTA-procedure 01/2003 (Li-Ion 2,0 Ah)	2,1 kg
Aanbevelen omgevingstemperatuur voor het bedrijf	-18°C... +50°C
Aanbevelen accupacks	M12B...
Aanbevelen laadtoestellen	C12C M12C4 M12-18...
<b>Geluids informatie</b>	
Meetwaarden vastgesteld volgens EN 62841. Het kenmerkende A-gewogen geluidsniveau van de machine bedraagt:	
Geluidsdruk niveau (Onzekerheid K=3dB(A))	53,1 dB(A)
Geluidsvermogen niveau (Onzekerheid K=3dB(A))	64,1 dB(A)
<b>Draag oorbeschermers!</b>	
<b>Trillings informatie</b>	
Totale trillingswaarden (vectorsom van drie richtingebepaald volgens EN 62841.	
Trillings emissiewaarde <sub>a</sub>	0,1 m/s <sup>2</sup>
Onzekerheid K=	1,5 m/s <sup>2</sup>

## WAARSCHUWING!

De in deze aanwijzingen vermelde trillingsdruk is gemeten volgens een in EN 62841 genoemde meetmethode en kan worden gebruikt voor de onderlinge vergelijking van apparaten. Hij is ook geschikt voor een voorlopige inschatting van de trillingsbelasting.

De aangegeven trillingsdruk geldt voor de meest gebruikelijke toepassingen van het elektrische apparaat. Wanneer het elektrische gereedschap echter voor andere doeleinden, met andere dan de voorgeschreven hulpstukken gebruikt of niet naar behoren onderhouden wordt, kan de trillingsdruk afwijken. Dit kan de waarde van de trillingsdruk over de hele werkperiode aanzienlijk verhogen.

Voor een nauwkeurige inschatting van de trillingsdruk moeten ook de tijden in aanmerking worden genomen dat het apparaat uitgeschakeld is of weliswaar loopt, maar niet werkelijk in gebruik is. Dit kan de waarde van de trillingsdruk over de hele werkperiode aanzienlijk verminderen.

Bepaal extra veiligheidsmaatregelen ter bescherming van de bediener tegen de inwerking van trillingen, bijvoorbeeld: onderhoud van elektrische gereedschappen en apparaten, warmhouden van de handen, organisatie van de werkprocessen.

**⚠ WAARSCHUWING** Lees en bekijk alle veiligheidsaanwijzingen, aanwijzingen, afbeeldingen en gegevens die u bij het apparaat ontvangt. Als de waarschuwingen en voorschriften niet worden opgevolgd, kan dit een elektrische schok, brand of ernstig letsel tot gevolg hebben.  
**Bewaar alle waarschuwingen en voorschriften voor toekomstig gebruik.**

## ⚠ VEILIGHEIDSWAARSCHUWINGEN BIJ POPNADELGEREEDSCHAPPEN

**Houd het apparaat alléén aan de geïsoleerde grijpvlakken vast, wanneer u werkzaamheden uitvoert waarbij het snijgereedschap verborgen stroomleidingen zou kunnen raken.** Het contact van het snijgereedschap met een spanningvoerende leiding kan de metalen apparaatdelen onder spanning zetten en zo tot een elektrische schok leiden.

**Draag veiligheidsuitrusting.** Veiligheidskleding zoals stofmasker, veiligheidshandschoenen, stevig en slipvast schoeisel, helm en gehoorbescherming worden aanbevolen.

Laat beschadigingen onmiddellijk verhelpen in een geautoriseerde werkplaats.

Voor alle werkzaamheden aan de apparat de akku verwijderen.

Om verwondingen te voorkomen mag u het gereedschap, de verwijderbare accu of de lader nooit in een vloeistof dopen of vloeistof in deze apparaten laten doordringen.

Wisselakku's van het Akku-Systeem M12 alléén met laadapparaten van het Akku-Systeem M12 laden. Geen akku's van andere systemen laden.

Wisselakku's en laadapparaten niet openen en alleen in droge ruimtes opslaan. Tegen vocht beschermen.

Vorkom brand, persoonlijk letsel of materiële schade door kortsluiting en dompel het gereedschap, de wisselaccu en het laadtoestel niet onder in vloeistoffen en waarborg dat geen vloeistoffen in de apparaten en accu's kunnen dringen. Corrosieve of geleidende vloeistoffen zoals zout water, bepaalde chemicaliën, bleekmiddelen of producten die bleekmiddelen bevatten, kunnen een kortsluiting veroorzaken.

## VOORGESCHREVEN GEBRUIK VAN HET SYSTEEM

Dit popnagelgereedschap is ontworpen voor het in professionele toepassingen aanbrengen van popnagels.

## RESTERENDE GEVAREN

Ondanks dat de relevante veiligheidsvoorschriften worden toegepast en veiligheidsvoorzieningen zijn geïmplementeerd, is het niet mogelijk om bepaalde risico's te vermijden. Deze zijn:

- Gehoorbeschadiging
- Gevaar voor persoonlijk letsel door rondvliegende deeltjes

## ONDERHOUD

Voor alle werkzaamheden aan de apparat de akku verwijderen.

Om verwondingen te voorkomen mag u het gereedschap, de verwijderbare accu of de lader nooit in een vloeistof dopen of vloeistof in deze apparaten laten doordringen.

Altijd de luchtspleten van de machine schoonhouden.

Onderhouds- en reparatiewerkzaamheden mogen uitsluitend worden uitgevoerd in een geautoriseerde werkplaats.

Gebruik uitsluitend Milwaukee toebehoren en onderdelen. Indien componenten die moeten worden vervangen niet zijn beschreven, neem dan contact op met een officieel Milwaukee servicecentrum (zie onze lijst met servicecentra).



Onder vermelding van het nummer op het machineplaatje is desgewenst een doorsnedetekening van de machine verkrijgbaar bij: Techtronic Industries GmbH, Max-Eyth-Straße 10, 71364 Winnenden, Germany.

#### AKKU

Een temperatuur boven de 50°C vermindert de capaciteit van de accu. Langdurige verwarming door zon of hitte vermijden.

De aansluitkontakten aan het laadapparaat en de accu schoonhouden.

Voor een optimale levensduur moeten de accu's na het gebruik volledig opgeladen worden. Langere tijd niet toegepaste wisselakku's vóór gebruik altijd naladen.

Voor een zo lang mogelijke levensduur van de accu's dienen deze na het opladen uit het laadtoestel te worden verwijderd.

Bij een langere opslag van de accu dan 30 dagen; accu bij ca. 27 °C droog bewaren, accu bij ca. 30 % - 50 % van de laadtoestand bewaren, accu om de 6 maanden opnieuw opladen.

Verbruikte akku's niet in het vuur of bij het huisvuil werpen.

Milwaukee biedt namelijk een milieuvriendelijke recyclingmethode voor uw oude akku's.

Wisselakku's niet bij metalen voorwerpen bewaren (kortsluitingsgevaar!).

#### TRANSPORT VAN LITHIUM-IONEN-ACCU'S

Lithium-ionen-accu's vallen onder de wettelijke bepalingen inzake het transport van gevaarlijke goederen.

Voor het transport van deze accu's moeten de lokale, nationale en internationale voorschriften en bepalingen in acht worden genomen.

Verbruikers mogen deze accu's zonder meer over de weg transporteren.

Het commerciële transport van lithium-ionen-accu's door expeditiebedrijven is onderhevig aan de bepalingen inzake het transport van gevaarlijke goederen. De verzendingsvoorbereidingen en het transport mogen uitsluitend worden uitgevoerd door dienovereenkomstig opgeleide personen. Het complete proces moet vakkundig worden begeleid.

Onderstaande punten moeten bij het transport van accu's in acht worden genomen:

Waarborg ter vermindering van kortsluitingen dat de contacten beschermd en geïsoleerd zijn. Let op dat het accupack in de verpakking niet kan verschuiven. Beschadigde of lekkende accu's mogen niet worden getransporteerd. Neem voor meer informatie contact op met uw expeditiebedrijf.

#### EC - VERKLARING VAN OVEREENSTEMMING

We verklaren geheel onder eigen verantwoordelijkheid dat het product in de "Technische data" voldoet aan alle relevante bepalingen van de richtlijnen

2011/65/EU RoHS

2006/42/EG

2014/30/EU

en de volgende geharmoniseerde normen zijn gebruikt.

EN 62841-1:2015

EN 55014-1:2017

EN 55014-2:2015

EN 50581:2012



Winnenden, 2018-02-20

Alexander Krug / Managing Director

Gemachtigd voor samenstelling van de technische documenten

Techtronic Industries GmbH

Max-Eyth-Straße 10, 71364 Winnenden, Germany



## SYMBOLEN



Graag instructies zorgvuldig doorlezen vóórdat u de machine in gebruik neemt.



Draag veiligheidshandschoenen!



Bij het werken met de machine altijd een veiligheidsbril dragen.



Risico op een elektrische schok



OPGELET! WAARSCHUWING! GEVAAR!



Voor alle werkzaamheden aan de apparat de accu verwijderen.



Toebehoren - Wordt niet meegeleverd. Is apart leverbaar. Zie hiervoor het toebehorenprogramma.



Elektrische apparaten, batterijen en accu's mogen niet via het huisafval worden afgevoerd. Elektrische apparaten en accu's moeten gescheiden worden verzameld en voor een milieuvriendelijke afvoer worden afgegeven bij een recyclingbedrijf. Informeer bij uw gemeente of bij uw vakhandelaar naar recyclingbedrijven en inzamelpunten.

**V** V~

 Gelijkstroom



CE-keurmerk



UkrSEPRO -symbool van overeenstemming.



EurAsian-symbool van overeenstemming.

TEKNISKE DATA NITTEVÆRKTØJ	M12 BPRT
Produktionsnummer	4670 73 01... ... 000001-999999
Udskiftningsbatteriets spænding	12 V
Bakke diameter maks.	4,8 mm
Værktøjets slaglængde	20,3 mm
Trækkraft	9000 N
Nittestørrelse Ø	
Sort	4,8 mm
Brun	4,0 mm
Rød	3,2 mm
Grøn	2,4 mm
Nittemateriale	Aluminium Kobber Stål Rustfrit stål
Vægt svarer til EPTA-procedure 01/2003 (Li-Ion 2,0 Ah)	2,1 kg
Anbefalede omgivelsestemperatur til driften	-18°C ... +50°C
Anbefalede batteripakker	M12B...
Anbefalede opladere	C12C M12C4 M12-18 ...
<b>Støjinformation</b>	
Måleværdier beregnes iht. EN 62841. Værktøjets A-vurderede støjniveau er typisk:	
Lydtrykniveau (Usikkerhed K=3dB(A))	53,1 dB(A)
Lydeffekt niveau (Usikkerhed K=3dB(A))	64,1 dB(A)
<b>Brug høreværn!</b>	
<b>Vibrationsinformation</b>	
Samlede vibrationsværdier (værdisum for tre retninger) beregnet iht. EN 62841.	
Vibrationseksponering <sub>a</sub>	0,1 m/s <sup>2</sup>
Usikkerhed K=	1,5 m/s <sup>2</sup>

## ADVARSEL!

Svingningsniveauet, som er angivet i disse anvisninger, er målt i henhold til standardiseret måleprocedure ifølge EN 62841 og kan anvendes til indbyrdes sammenligning mellem el-værktøjer. Svingningsniveauet er ligeledes egnet som foreløbigt skøn over svingningsbelastningen.

Det angivne svingningsniveau er baseret på el-værktøjets primære anvendelsesformål. Hvis el-værktøjet benyttes til andre formål, med andet indsatsværktøj eller ikke vedligeholdes tilstrækkeligt, kan svingningsniveauet afvige. Dette kan øge svingningsbelastningen over den samlede arbejdsperiode betydeligt.

For en nøjagtig vurdering af svingningsbelastningen skal der også tages højde for de tidsperioder, hvor apparatet er slukket, eller hvor apparatet kører, men uden at være i anvendelse. Dette kan reducere svingningsbelastningen over den samlede arbejdsperiode betydeligt.

Supplerende sikkerhedsforanstaltninger til beskyttelse af brugeren mod påvirkninger fra svingninger skal iværksættes, f.eks.: Vedligeholdelse af el-værktøj og indsatsværktøj, varmeholdelse af hænder, organisering af arbejdsprocesser.

**ADVARSEL** Læs alle sikkerhedsanvisninger, anvisninger, instruktioner og data, der følger med enheden. I tilfælde af manglende overholdelse af advarselshenvisningerne og instrukserne er der risiko for elektrisk stød, brand og/eller alvorlige kvæstelser.  
**Opbevar alle advarselshenvisninger og instrukser til senere brug.**

## SIKKERHEDSADVARSLER FOR NITTEVÆRKTØJ

**Hold maskinen fast i de isolerede gribeblade, når du udfører arbejde, hvor der er risiko for, at skæreværktøjet kan ramme skjulte strømledninger.** Kommer skæreværktøjet i kontakt med en strømførende ledning, kan maskinens metaldele komme under spænding og give elektrisk stød.

**Brug beskyttelsesudstyr.** Vi anbefaler desuden brug af personlig beskyttelsesudrustning, såsom støvmaske, sikkerhedshandsker, fast og skridsikret skotøj, hjelm og høreværn.

Lad straks beskadigelse reparere på et autoriseret værksted. Ved arbejde inden i maskinen, bør batteriet tages ud.

For at undgå person- og materialeskade, må værktøjet, det aftagelige batteri eller opladeren aldrig dykkes ned i eller gennemtrænges af væske.

Brug kun M12 ladeapparater for opladning af System M12 batterier. Udskiftningsbatterier og opladere må ikke åbnes og skal opbevares i tørre rum. Beskyt dem mod fugtighed.

For at undgå risiko for brand, kvæstelser eller beskadigelse af produktet forårsaget af kortslutning må værktøjet, batteripakken eller opladeren ikke nedsænkes i vand. Sørg ligeledes for, at der ikke trænger væske ind i enhederne og batterierne. Korroderende eller ledende væsker, f.eks. saltvand, bestemte kemikalier, blegestoffer eller produkter, som indeholder blegestoffer, kan forårsage kortslutning.

## TILTÆNKT FORMÅL

Dette ældre blindnitteværktøj er beregnet til professionelle blindnitte-anvendelser.

## RESTRISICI

På trods af anvendelsen af de relevante sikkerhedsregler og implementeringen af sikkerhedsudstyr, kan bestemte tilbageværende farer ikke undgås. Disse er:

- Nedsat hørelse.
- Fare for personskade pga. flyvende dele

## VEDLIGEHOLDELSE

Ved arbejde inden i maskinen, bør batteriet tages ud.

For at undgå person- og materialeskade, må værktøjet, det aftagelige batteri eller opladeren aldrig dykkes ned i eller gennemtrænges af væske.

Hold altid maskinens ventilationsåbninger rene.

Service og reparationer må kun udføres af autoriserede serviceværksteder.

Brug kun Milwaukee-tilbehør og Milwaukee-reservedele. Komponenter, hvor udskiftningsproceduren ikke er beskrevet, skal skiftes ud hos et Milwaukee-servicested (se brochure garanti/kundeserviceadresser).

Ved opgivelse af type nr. der er angivet på maskinens effektskilt, kan de rekvirere en reservedelstegning, ved henvendelse til: Techtronic Industries GmbH, Max-Eyth-Straße 10, 71364 Winnenden, Germany.



## BATTERI

Ved temperaturer over 50°C formindskes batteriets effekt. Undgå direkte sollys og stærk varme.

Tilslutningskontakterne på oplader og udkiftningsbatterier skal holdes rene.

For at opnå en optimal levetid skal de genopladelige batterier oplades fuldt efter brug. Udkiftningsbatterier, der ikke har været brugt i længere tid, efterlades inden brug.

For at sikre en så lang levetid som muligt skal batterierne tages ud af laderegulatoren efter opladning.

Skal batterierne opbevares længere end 30 dage, Temperatur ca. 27°C i tørre omgivelser, Opbevares ved ca. 30%-50% af ladetilstanden. Batteri skal genoplades hver 6. måned.

Opbrugte udkiftningsbatterier må ikke brændes eller kasseres sammen med alm. husholdningsaffald. Milwaukee har en miljørigtig bortskaffelse af gamle udkiftningsbatterier, henvend Dem til Deres forhandler.

Opbevar ikke udkiftningsbatterier sammen med metalgenstande for kortslutning.



Dan

## TRANSPORT AF LITHIUM-BATTERIER

Lithium-batterier er omfattet af lovgivningen om transport af farligt gods.

Transporten af disse batterier skal ske under overholdelse af lokale, nationale og internationale regler og bestemmelser.

Forbrugere må transportere disse batterier på veje uden yderligere krav.

Den kommercielle transport af lithium-batterier ved speditjonsfirmaer er omfattet af reglerne for transport af farligt gods. Forberedelse af forsendelse og transport må kun udføres af tilsvarende trænede personer. Den samlede proces skal følges af fagfolk.

Følgende punkter skal overholdes ved transport af batterier:

Sørg for at kontakterne er beskyttet og isoleret for at forhindre kortslutninger. Sørg for at batteripakken ikke kan bevæge sig inden for emballagen. Beskadigede eller lækkende batterier må ikke transporteres. Kontakt dit speditjonsfirma for at få yderligere oplysninger.

## CE-KONFORMITETSERKLÆRING

Vi erklærer som eneansvarlige, at produktet, som beskrives under „Tekniske data“, opfylder alle de relevante bestemmelser i direktiverne

2011/65/EU RoHS

2006/42/EF

2014/30/EU

og følgende harmoniserede standarder er blevet anvendt.

EN 62841-1:2015

EN 55014-1:2017

EN 55014-2:2015

EN 50581:2012



Winnenden, 2018-02-20

Alexander Krug / Managing Director

Autoriseret til at udarbejde de tekniske dokumenter.

Techtronic Industries GmbH

Max-Eyth-Straße 10, 71364 Winnenden, Germany

## SYMBOLER



Læs brugsanvisningen nøje før ibrugtagning.



Brug beskyttelseshandsker!



Når der arbejdes med maskinen, skal man have beskyttelsesbriller på.



Fare for elektrisk stød



VIGTIGT! ADVARSEL! FARE!



Ved arbejde inden i maskinen, bør batteriet tages ud.



Tilbehør - Ikke inkluderet i leveringsomfanget, køb købes som tilbehør.



Elektrisk udstyr eller (genopladelige) batterier må ikke bortskaffes sammen med det almindelige husholdningsaffald. Elektrisk udstyr og genopladelige batterier skal indsamles særskilt og afleveres hos en genbrugsvirksomhed til en miljømæssig forsvarlig bortskaffelse. Spørg de lokale myndigheder eller din forhandler om genbrugsstationer og indsamlingssteder til sådant affald.

V

Veksel-spænding



Jævnstrøm



CE-mærke



TR 066

UkrSEPRO overensstemmelsesmærke.



EurAsian overensstemmelsesmærke.

TEKNISKE DATA NAGLEVERKTØY	M12 BPRT
Produksjonsnummer	4670 73 01... ... 000001-999999
Spenning vekselbatteri	12 V
Kjevediameter maks.	4,8 mm
Slaglengde til verktøyet	20,3 mm
Trekraft	9000 N
Naglestørrelse Ø	
Svart	4,8 mm
Brun	4,0 mm
Rødt	3,2 mm
Grønt	2,4 mm
Naglemateriale	Aluminium Kobber Stål Rustfritt stål
Vekt i henhold til EPTA-Prosedyren 01/2003 (Li-Ion 2,0 Ah)	2,1 kg
Anbefalt omgivelsestemperatur for drift	-18°C ... +50°C
Anbefalte batteripakker	M12B...
Anbefalte ladere	C12C M12C4 M12-18 ...
<b>Støyinformasjon</b>	
Måleverdier fastslått i samsvar med EN 62841. Det typiske A-bedømte støynivået for maskinen er:	
Lydtrykknivå (Usikkerhet K=3dB(A))	53,1 dB(A)
Lydeffektnivå (Usikkerhet K=3dB(A))	64,1 dB(A)
<b>Bruk hørselsvern!</b>	
<b>Vibrasjonsinformasjoner</b>	
Totale svingningsverdier (vektorsum fra tre retninger) beregnet jf. EN 62841.	
Svingningsemisjonsverdi <sub>h</sub>	0,1 m/s <sup>2</sup>
Usikkerhet K=	1,5 m/s <sup>2</sup>

## ADVARSEL!

Svingningsnivået som er angitt i denne instruksjonen er målt i overensstemmelse med målemetoden normert i direktiv EN 62841 og kan brukes til å sammenligne elektromaskiner med hverandre. Den egner seg også for en foreløbig vurdering av svingningsbelastningen. Det angitte svingningsnivået representerer de hovedsaklige bruk av elektroverktøyet. Men anvendes elektroverktøyet for andre bruk med avvikende utskiftbare verktøy eller vedlikeholdet er utilstrekkelig, kan svingningsnivået være avvikende.

Dette kan forhøye svingningsbelastning betydelig over hele arbeidsperioden. For en nøyaktig vurdering av svingningsbelastningen må også det tas hensyn til tiden apparatet er avslått eller står på, men ikke er i bruk. Dette kan redusere svingningsbelastningen betydelig over hele arbeidsperioden.

Innfør også ekstra sikkerhetstiltak for å beskytte bruker mot utvirkingen av svingningene. Disse kan f.eks. være: vedlikehold av elektroverktøyet og det utskiftbare verktøyet, holde hendene varme, organisasjon av arbeidsforløpet.

**⚠ ADVARSEL Les alle sikkerhetsanvisninger, instruksjer, bildeforklaringer og data som fulgte med maskinen.** Feil ved overholdelsen av advarslene og nedenstående anvisninger kan medføre elektriske støt, brann og/eller alvorlige skader.  
**Ta godt vare på alle advarslene og informasjonene.**

## ⚠ SIKKERHETSADVARSLER FOR NAGLEVERKTØY

**Hold apparatet i de isolerte holdeflatene, når det arbeides på steder hvor elektroverktøyet kan treffe skjulte strømledninger.** Kontakt med en ledning som er under spenning, kan også sette metalldele til apparatet under spenning og føre til et elektrisk slag.

**Bruk vernebekledning.** Vernebekledning så vel som støvmaske, vernehansker, fast og sklissikkert skotøy, hjem og hørselsvern er anbefalt.

Skader skal med en gang repareres av et autorisert fagverksted.

Ta ut vekselbatteriet før du arbeider på maskinen

For å forebygge skader eller ødeleggelser dypp aldri verktøyet, det eksterne batteriet eller laderen i væske eller la væske trenge inn i noen av delene.

Vekselbatterier av systemet M12 skal kun lades med lader av systemet M12. Ikke lad opp batterier fra andre systemer.

Ikke åpne vekselbatterier og ladere, de skal oppbevares i tørre rom. Beskyttes mot fuktighet.

For å unngå fare for en brann forårsaket av en kortslutning, av personskader eller skader av produktet, må det forhindres at batteripakken eller laderen dyppes i væsker og også sørges for at ingen væsker kan komme inn i apparatene eller batteriene. Korroderende og ledende væsker som saltvann, visse kjemikalier og blekemidler eller produkt som inneholder blekemidler kan forårsake en kortslutning.

## FORMÅLSMESSIG BRUK

Dette bleinde naglende strømværktøyet er utviklet for profesjonelle blinde nagleinnstillende anvendelser.

## RESTFARER

Til tross for anvendelsen av de relevante sikkerhetsforskriftene og gjennomføring av sikkerhetsenheter, kan man ikke unngå visse gjenværende risikoer. Disse er:

- Svekket hørsel.
- Fare for personskade på grunn av flygende partikler

## VEDLIKEHOLD

Ta ut vekselbatteriet før du arbeider på maskinen

For å forebygge skader eller ødeleggelser dypp aldri verktøyet, det eksterne batteriet eller laderen i væske eller la væske trenge inn i noen av delene.

Hold alltid luftåpningene på maskinen rene.

Vedlikeholds- og reparasjoner skal bare utføres av autoriserte fagverksteder.

Bruk kun Milwaukee tilbehør og Milwaukee reservedeler. Komponenter der utskifting ikke er beskrevet skal skiftes ut hos Milwaukee kundeservice (se brosjyre garanti/kundeserviceadresser).

Ved behov kan du be om en eksplosjonstegning av apparatet hos din kundeservice eller direkte hos Techtronic Industries GmbH, Max-Eyth-Straße 10, 71364 Winnenden, Germany. Oppgi maskintype og det nummeret på typeskillet.



Nor

## BATTERIER

En temperatur over 50°C reduserer vekselbatteriets kapasitet. Unngå oppvarming i sol eller ved varmeovner (fyring) i lengre tid. Hold tilkopplingskontaktene på lader og vekselbatteri rene.

For optimal holdbarhet må batteriene lades opp helt etter bruk. Vekselbatterier som ikke er brukt over lengre tid skal etterlades før bruk.

For å sikre en lengst mulig brukstid av batteriene skal disse etter oppladning taes ut av laderen.

Ved lagring av batteriene lengre enn 30 dager:, Lagre batteriet tørt ved ca. 27°C., Lagre batteriet ved en oppladningstilstand på ca. 30%-50%., Lade opp batteriet igjen etter 6 måneder.

Ikke kast brukte vekselbatterier i varmen eller husholdning-savfallet. Milwaukee tilbyr en miljøriktig deponering av gamle vekselbatterier; vennligst spør din fagforhandler.

Ikke oppbevar vekselbatterier sammen med metallgjenstander (kortslutningsfare).

## TRANSPORT AV LITIUM-ION-BATTERI

Litium-ion-batterier faller under de lovfestede forskriftene om transport av farlig gods.

Transporten av disse batteriene må rette seg etter lokale, nasjonale og internasjonale forskrifter og bestemmelser.

Forbruker har lov å transportere disse batteriene på gaten uten reglementering.

Den kommersielle transport av Litium-ion-batterier av spedisjonsfirma faller under bestemmelsene om transport av farlig gods. Forberedningene av forsendelsen og transport skal utelukkende gjennomføres av personer som har blitt skolert til dette. Hele prosessen skal følges opp av fagfolk.

Følgende punkter skal tas hensyn til ved transport:

Kontroller at kontaktene er beskyttet og isolert for å unngå kortslutninger. Pass på at batteripakken i forpakningen ikke kan skli fram og tilbake. Skadede eller batterier som lekker er det ikke lov å transportere. Ta kontakt med spedisjonsfirma for ytterlige henvisninger.

## CE-SAMSVARERKLÆRING

Vi erklærer i alene ansvar at produktet beskrevet i „Teknisk data“ overensstemmer med alle relevante forskrifter til Eu direktiv

2011/65/EU RoHS

2006/42/EC

2014/30/EU

og de følgende harmoniserte normative dokumentene, fyrstikker

EN 62841-1:2015

EN 55014-1:2017

EN 55014-2:2015

EN 50581:2012



Winnenden, 2018-02-20

Alexander Krug / Managing Director  
Autorisert til å utarbeide den tekniske dokumentasjonen  
Techtronic Industries GmbH  
Max-Eyth-Strasse 10, 71364 Winnenden, Germany

## SYMBOLER



Les nøye gjennom bruksanvisningen før maskinen tas i bruk.



Bruk vernehansker!



Bruk alltid vernebrille når du arbeider med maskinen.



Fare for elektrisk støt



OBS! ADVARSEL! FARE!



Ta ut vekselbatteriet før du arbeider på maskinen



Tilbehør - inngår ikke i leveransen, anbefalt komplettering fra tilbehørsprogrammet.



Elektriske apparater, batterier/oppladbare batterier skal ikke kastes sammen med vanlig husholdningsavfall. Elektriske og elektroniske apparater og oppladbare batterier skal samles separat og leveres til miljøvennlig deponering hos en avfallsbedrift. Informer deg hos myndighetene på stedet eller hos din fagforhandler hvor det finnes recycling bedrifter og oppsamlingssteder.

V

Volt



Likestrøm



CE-tegn



UkrSEPRO Konformitetstegn.



EurAsian Konformitetstegn.

TEKNISKA DATA NITVERKTYG	M12 BPRT
Produktionsnummer	4670 73 01... ... 000001-999999
Batterispänning	12 V
Chuckdiameter max.	4,8 mm
Verktygets slaglängd	20,3 mm
Dragkraft	9000 N
Nitstorlek Ø	
Svart	4,8 mm
Brun	4,0 mm
Röd	3,2 mm
Grön	2,4 mm
Nitmaterial	Aluminium Koppar Stål Rostfritt stål
Vikt enligt EPTA 01/2003 (Li-Ion 2,0 Ah)	2,1 kg
Rekommenderad omgivningstemperatur för driften	-18°C ... +50°C
Rekommenderade batterier (Akkupacks)	M12B...
Rekommenderade laddare	C12C M12C4 M12-18 ...
<b>Bullerinformation</b>	
Mätvärdena har tagits fram baserade på EN 62841. A-värdet av maskinens ljudnivå utgörs:	
Ljudtrycksnivå (Onoggrannhet K=3dB(A))	53,1 dB(A)
Ljudeffektnivå (Onoggrannhet K=3dB(A))	64,1 dB(A)
<b>Använd hörselskydd!</b>	
<b>Vibrationsinformation</b>	
Totala vibrationsvärden (vektorsumma ur tre riktningar) framtaget enligt EN 62841.	
Vibrationsemissionsvärde <sub>a</sub> Onoggrannhet K=	0,1 m/s <sup>2</sup> 1,5 m/s <sup>2</sup>

### VARNING!

Den i de här anvisningarna angivna vibrationsnivån har uppmätts enligt ett i EN 62841 normerat mätförfarande och kan användas vid jämförelse mellan olika elverktyg. Nivån är även lämplig att använda vid en preliminär bedömning av vibrationsbelastningen.

Den angivna vibrationsnivån representerar den huvudsakliga användningen av det aktuella elverktyget. Men om elverktyget ska användas i andra användningsområden, tillsammans med avvikande insatsverktyg eller efter otillräckligt underhåll, kan vibrationsnivån skilja sig. Det kan öka vibrationsbelastningen betydligt under hela arbetstiden.

För att få en exaktare bedömning av vibrationsbelastningen ska även den tid beaktas, under vilken elverktyget är avstängt eller är påslaget, utan att det verkligen används. Det kan reducera vibrationsbelastningen betydligt under hela arbetstiden.

Lägg som skydd för användaren fast extra säkerhetsåtgärder mot vibrationernas verkan, som till exempel: underhåll av elverktyg och insatsverktyg, varmhållning av händer och organisering av arbetsförlopp.

**⚠ VARNING** Läs alla säkerhetsanvisningar, instruktioner, beskrivningar och uppgifter som du får tillsammans med apparaten. Fel som uppstår till följd av att anvisningarna nedan inte följts kan orsaka elstöt, brand och/eller allvarliga kroppsskador.  
**Förvara alla varningar och anvisningar för framtida bruk.**

### ⚠ SÄKERHETSVARNING FÖR NITVERKTYG

**Håll fast apparaten med hjälp av de isolerade greppytorna när du utför arbeten där arbetsverktyget skulle kunna träffa på dolda elledningar.** Om man kommer i kontakt med en spänningsförande ledning, så kan även de delar på verktyget som är av metall bli spänningsförande och leda till att man får en elektrisk stöt.

**Använd skyddsutrustning.** Som skyddsutrustning rekommenderar vi t ex en dammskyddsmask, skyddshandskar, stabila och halksäkra skor, hjälm och hörselskydd.

Kontakta omedelbart en auktoriserad fackverkstad för reparation om produkten skulle vara skadad.

Drag ur batteripaket innan arbete utföres på maskinen.

För att undvika person- eller materialskador doppa aldrig verktyget, det löstagbara batteriet eller laddaren i vätska och låt inte vätska penetrera dessa.

System M12 batterier laddas endast i System M12 laddare. Ladda inte batterier från andra system.

Batterier lagras torrt och skyddas för fukt.

För att undvika den fara för brand, personskador eller produktskador som orsakas av en kortslutning, doppa inte ner verktyget, utbytesbatteriet eller laddaren i vätskor och se till att ingen vätska kan tränga in i apparaterna eller batterierna. Korroderande eller ledande vätskor, som saltvatten, vissa kemikalier, blekningsmedel eller produkter som innehåller blekmedel, kan orsaka en kortslutning.

### ANVÄND MASKINEN ENLIGT ANVISNINGARNA

Detta elverktyg för blindnitar är avsett för professionell användning av blindnitar.

### KVARSTÅENDE RISKER

Trots tillämpningen av relevanta säkerhetsbestämmelser och genomförandet av säkerhetsanordningar kan vissa restriktioner inte undvikas. Dessa är:

- Risk för hörselskador.
- Risk för personskador genom partiklar som slungas omkring

### SKÖTSEL

Drag ur batteripaket innan arbete utföres på maskinen.

För att undvika person- eller materialskador doppa aldrig verktyget, det löstagbara batteriet eller laddaren i vätska och låt inte vätska penetrera dessa.

Se till att motorhöljets luftslitsar är rena.

Underhållsarbeten och reparationer får endast utföras på auktoriserade fackverkstäder.

Använd endast Milwaukee-tillbehör och Milwaukee-reservdelar. Komponenter, för vilka inget byte beskrivs, skall bytas ut hos Milwaukee-kundtjänst (se broschyren garanti-/kundtjänstadresser).

Vid behov av sprängskiss, kan en sådan, genom att uppges maskinens art. nr. (som finns på typskylten) erhållas från: Techtronic Industries GmbH, Max-Eyth-Straße 10, 71364 Winnenden, Germany.



## BATTERIER

En temperatur över 50°C reducerar batteriets effekt. Undvik längre uppvärmning tex i solen eller nära ett element.

Se till att anslutningskontaktarna i laddaren och på batteriet är rena.

För att batterierna ska få lång livslängd ska de laddas fulla efter användning. Batteri som ej använts på länge måste laddas före nytt bruk.

För att få en så lång livslängs som möjligt bör laddningsbara batterier avlägsnas från laddaren när de är laddade.

Om laddningsbara batterier lagras längre än 30 dagar, Lagra batteriet torrt och vid ca 27°C., Lagra batteriet vid ca 30%-50% av laddningskapaciteten., Ladda batterierna på nytt var 6:e månad. Kasta inte förbrukade batterier. Lämna dem till Milwaukee Tools för återvinning.

Förvara ej batteriet ihop med metallföremål, kortslutning kan uppstå.

## TRANSPORTERA LITIJON-BATTERIER

För litiumjon-batterier gäller de lagliga föreskrifterna för transport av farligt gods på väg.

Därför får dessa batterier endast transporteras enligt gällande lokala, nationella och internationella föreskrifter och bestämmelser.

Konsumenter får transportera dessa batterier på allmän väg utan att behöva beakta särskilda föreskrifter.

För kommersiell transport av litiumjon-batterier genom en speditiionsfirma gäller emellertid bestämmelserna för transport av farligt gods på väg. Endast personal som känner till alla tillämpliga föreskrifter och bestämmelser får förbereda och genomföra transporten. Hela processen ska följas upp på fackmässigt sätt.

Följande ska beaktas i samband med transporten av batterier: Säkerställ att alla kontakter är skyddade och isolerade för att undvika kortslutning. Se till att batteripacken inte kan glida fram och tillbaka i förpackningen. Transportera aldrig batterier som läcker, har runnit ut eller är skadade. För mer information vänligen kontakta din speditiionsfirma.

## CE-FÖRSÄKRAN

Vi tar på vårt ansvar att produkten som har beskrivits under Tekniska data uppfyller alla relevanta villkor i direktiven

2011/65/EU RoHS

2006/42/EG

2014/30/EU

samt att följande harmoniserade standarder har använts.

EN 62841-1:2015

EN 55014-1:2017

EN 55014-2:2015

EN 50581:2012



Winnenden, 2018-02-20

Alexander Krug / Managing Director

Befullmäktigad att sammanställa teknisk dokumentation.

Techtronic Industries GmbH

Max-Eyth-Straße 10, 71364 Winnenden, Germany

## SYMBOLER



Läs instruktionen noga innan du startar maskinen.



Bär skyddshandskar!



Använd alltid skyddsglasögon.



Risk för elektrisk stöt



OBSERVERA! VARNING! FARA!



Drag ur batteripaket innan arbete utföres på maskinen.



Tillbehör - Ingår ej i leveransomfånget, erhålles som tillbehör.



Elektriska maskiner, batterier/uppladdningsbara batterier och får inte slängas tillsammans med de vanliga hushålls-soporna. Elektriska maskiner och uppladdningsbara batterier ka samlas separat och lämnas till en avfallsstation för miljövänlig avfallshandtering. Kontakta den lokala myndigheten respektive kommunen eller fråga återförsäljare var det finns speciella avfallsstationer för elkrot.

V

Volts Växelström



Likström



CE-symbol



UkrSEPRO överensstämmelsesymbol.



EurAsian överensstämmelsesymbol.



TEKNISET ARVOT NIITTAUSTYÖKALU	M12 BPRT
Tuotantnumero	4670 73 01... ... 000001-999999
Jännite vaihtoakku	12 V
Leukojen halkaisija maks.	4,8 mm
Työkälun iskun pituus	20,3 mm
Vetovoima	9000 N
Niitin koko Ø	
Musta	4,8 mm
Ruskea	4,0 mm
Punainen	3,2 mm
Vihreä	2,4 mm
Niitin materiaali	Alumiini Kupari Teräkseen Ruostumaton teräs
Paino EPTA-menetellyn 01/2003 mukaan (Li-Ion 2,0 Ah)	2,1 kg
Suositeltu ympäristön lämpötila käytön aikana	-18°C ... +50°C
Suosittelut akkusarjat	M12B...
Suosittelut latauslaitteet	C12C M12C4 M12-18 ...
<b>Melunpäästötiedot</b>	
Mitta-arvot määritetty EN 62841 mukaan. Koneen tyypillinen A-luokitettu melutaso:	
Melutaso (Epävarmuus K=3dB(A))	53,1 dB(A)
Äänenvoimakkuus (Epävarmuus K=3dB(A))	64,1 dB(A)
<b>Käytä kuulosuojaimia!</b>	
<b>Tärinätiedot</b>	
Värähtelyn yhteisarvot (kolmen suunnan vektorisummitattuna EN 62841 mukaan.	
Värähtelyemissioarvo <sub>h</sub>	0,1 m/s <sup>2</sup>
Epävarmuus K=	1,5 m/s <sup>2</sup>

## VAROITUS!

Näissä ohjeissa mainittu värähtelytaso on mitattu EN 62841 -standardin mukaisella mittausmenetelmällä ja sitä voidaan käyttää sähkötyökälun vertaamiseen. Sitä voidaan käyttää myös värähtelyrasituksen väliaikaiseen arviointiin.

Mainittu värähtelytaso edustaa sähkötyökälun pääasiallista käyttöä. Jos sähkötyökälu kuitenkin käytetään muihin tehtäviin, poikkeavin työkaluin tai riittämättömästi huoltaen, värähtelytaso voi olla erilainen. Se voi korottaa värähtelyrasitusta koko työajan osalta.

Tarkan värähtelyrasituksen toteamiseen tulee ottaa huomioon aika, jona laite on kytketty pois tai on kylmäkin päällä, mutta ei käytössä. Se voi pienentää värähtelyrasitusta koko työajan osalta.

Määrittele lisäturvatoimenpiteitä käyttäjän suojaamiseksi värinöiden vaikutuksesta, kuten esimerkiksi: sähkötyökälujen ja käyttötyökälujen huolto, käsien lämpimän pitäminen, työväiteiden organisaatio.



**VAROITUS** Lue kaikki varoimenpiteet, ohjeet, kuvalliset esitykset ja tiedot, jotka toimitetaan laitteen mukana. Turvallisuusohjeiden noudattamisen laiminlyönti saattaa johtaa sähköiskuun, tulipaloon ja/tai vakavaan loukkaantumiseen.

**Säilytä kaikki turvallisuus- ja muut ohjeet tulevaisuutta varten.**

## NIITTAUSTYÖKÄLUN TURVALLISUUSOHJEET

**Pitele laitetta vain eristetyistä tarttumapinnoista, kun suoritat sellaisia töitä, joissa leikkaustyökälu saattaa osua pillosa oleviin sähköjohtoihin.** Leikkaustyökälun yhteys jännitteelliseen johtoon saattaa tehdä laitteen metalliset osat jännitteelliseksi ja aiheuttaa sähköiskun.

**Käytä suojavausteita.** Suosittelemme suojavausteiden käyttöä, näihin kuuluvat pölysuojanaamari, työkäsineet, tukevat, luistamattomat jalkineet, kypärä ja kuulosuojukset.

Anna valtuutetun alan ammattikorjaamon korjata vauriot heti.

Ota akku pois ennen kaikkia koneeseen tehtäviä toimenpiteitä. Älä koskaan upota laitetta, irrotettavaa akkua tai laturia nesteeseen tai anna nesteen päästä niihin loukkaantumisten ja vahinkojen välttämiseksi.

Käytä ainoastaan System M12 latauslaitetta System M12 akkujen lataukseen. Älä käytä muiden järjestelmien akkuja.

Vaihtoakkuja ja latauslaitteita ei saa avata. Säilytys vain kuivissa tiloissa. Suojattava kosteudelta.

Jotta vältetään lyhytsulun aiheuttama tulipalon, loukkaantumisen tai tuotteen vahingoittumisen vaara, älä koskaan upota työkalua, vaihtoakkuja tai latauslaitetta nesteeseen ja huolehdi siitä, ettei mitään nestettä pääse tunkeutumaan laitteiden tai akkujen sisään. Syövyttävät tai sähköä johtavat nesteet, kuten suolavesi, tietyt kemikaalit ja lalkaisuuaineet tai valkaisuaineita sisältävät tuotteet voivat aiheuttaa lyhytsulun.



## TARKOITUKSEN MUKAINEN KÄYTTÖ

Tämä sähköinen sokkoniittityökälu on tarkoitettu ammattimaiseen sokkoniittikäyttöön.

## JÄÄMÄRISKIT

Asianmukaisten turvallisuusmääräysten sovelluksesta ja turvalaitteiden käytöstä huolimatta tiettyjä jäljelle jääviä riskejä ei voida välttää. Näitä ovat:

- Kuulon heikentyminen.
- Lentävien hiukkasten aiheuttama henkilövahinkojen riski

## HUOLTO

Ota akku pois ennen kaikkia koneeseen tehtäviä toimenpiteitä.

Älä koskaan upota laitetta, irrotettavaa akkua tai laturia nesteeseen tai anna nesteen päästä niihin loukkaantumisten ja vahinkojen välttämiseksi.

Pidä moottorin ilmanottoaukuk puhdaina.

Vain valtuutetun alan ammattikorjaamot saavat suorittaa huolto- ja kunnossapitotyöt

Käytä ainoastaan Milwaukee lisätarvikkeita ja Milwaukee varaosia. Mikäli jokin komponentti, jota ei ole kuvailtu, tarvitsee vaihtoa ota yhteys johonkin Milwaukee palvelupisteistä (kts. listamme takuuhuoltoliikkeiden/ palvelupisteiden osoitteista)

Tarpeen vaatiessa voit pyytää lähettämään laitteen kokoonpanopiirustuksen ilmoittamalla arvokilven numeron seuraavasta osoitteesta: Techtronic Industries GmbH, Max-Eyth-Straße 10, 71364 Winnenden, Germany.

## AKKU

Yli 50°C lämpötilassa akun suorituskyky heikkenee. Välttämättä akkujen säilyttämistä auringossa tai kuumissa tiloissa.

Pidä aina latauslaitteen ja akun kosketuspinnat puhtaina.

Optimaaliseen käyttöön saavuttamiseksi akut on ladattava täyteen käytön jälkeen. Pitkään käyttämättä olleet vaihtoakut on ladattava ennen käyttöä.

Mahdollisimman pitkän elinajan takaamiseksi akut tulee poistaa laturista lataamisen jälkeen.

Akkuja yli 30 päivää säilytettäessä; Säilytä akku yli 27 °C:ssa ja kuivassa. Säilytä akku sen latauksen ollessa 30 % - 50 %. Lataa akku 6 kuukauden välein uudelleen.

Käytettyjä vaihtoakkuja ei saa polttaa eikä poistaa normaalin jätteenhuollon kautta. Milwaukeella on tarjolla vanhoja vaihtoakkuja varten ympäristöstävällinen jätteenhuolto- ja kierrätyspalvelu.

Vaihtoakkuja ei saa säilyttää yhdessä metalliesineiden kanssa (oikosulkuvaara).

### LITIUMI-IONIAKKUJEN KULJETTAMINEN

Litiumi-ioniakut kuuluvat vaarallisten aineiden kuljetuksesta annettujen lakien piiriin.

Näiden akkujen kuljettaminen täytyy suorittaa noudattaen paikallisia, kansallisia ja kansainvälisiä määräyksiä ja säädöksiä.

Kuluttajat saavat ilman muuta kuljettaa näitä akkuja teitä pitkin.

Kaupallisessa kuljetuksessa huolintaliikkeiden täytyy kuljettaa litiumi-ioniakkuja vaarallisten aineiden kuljetuksesta annettujen määräysten mukaisesti. Ainoastaan tähän vastaavasti koulutetut henkilöt saavat suorittaa kuljetuksen valmistelutoimet ja itse kuljetuksen. Koko prosessia tulee valvoa asiantuntevasti.

Seuraavat kohdat tulee huomioida akkuja kuljetettaessa:

Varmista, että akkujen kontaktit on suojattu ja eristetty, jotta vältetään lyhytsulut. Huolehdi siitä, ettei akkumarja voi luiskahtaa paikaltaan pakkauksen sisällä. Vahingoittuneita tai vuotavia akkuja ei saa kuljettaa. Pyydä tarkemmat tiedot huolintaliikkeeltäsi.

### TODISTUS CE-STANDARDIN MUKAISUUDESTA

Vakuutamme täten olevamme yksin vastuussa siitä, että kohdassa "Tekniset tiedot" kuvattu tuote vastaa kaikkia direktiivien merkittävimmistä säädöksistä

2011/65/EU RoHS

2006/42/EY

2014/30/EU

ja seuraavia yhdenmukaistettuja standardeja on käytetty.

EN 62841-1:2015

EN 55014-1:2017

EN 55014-2:2015

EN 55081:2012



Winnenden, 2018-02-20

Alexander Krug / Managing Director

Valtuutettu kokoamaan tekniset dokumentit.

Techtronic Industries GmbH

Max-Eyth-Straße 10, 71364 Winnenden, Germany

### SYMBOLIT



Lue käyttöohjeet huolellisesti, ennen koneen käynnistämistä.



Käytä suojakäsineitä!



Käytä laitteella työskennellessäsi aina suojalaseja.



Sähköiskun vaara



HUOMIO! VAROITUS! VAARA!



Ota akku pois ennen kaikkia koneeseen tehtäviä toimenpiteitä.



Lisälaite - Ei sisälly vakiovarustukseen, saatavana lisätarvikkeena.



Sähkölaitteita, paristoja/akkuja ei saa hävittää yhdessä kotitalousjätteiden kanssa. Sähkölaitteet ja akut tulee kerätä erikseen ja toimittaa kierrätysliikkeeseen ympäristöstävällistä hävittämistä varten. Pyydä paikallisilta viranomaisilta tai alan kauppiailta tarkemmat tiedot kierrätyspisteistä ja keräyspaikoista.



Jännite AC



Tasavirta



CE-merkki



UKRSEPRO -vaatimustenmukaisuusmerkki.



EurAsian-vaatimustenmukaisuusmerkki.

ΤΕΧΝΙΚΑ ΣΤΟΙΧΕΙΑ ΚΑΡΦΩΤΙΚΟ-ΠΡΙΤΣΙΝΑΔΟΡΟΣ	M12 BPRT
Αριθμός παραγωγής	4670 73 01... ... 000001-999999
Τάση ανταλλακτικής μπαταρίας	12 V
Διάμετρος σιαγόνας Μέγ.	4,8 mm
Μήκος διαδρομής εργαλείου	20,3 mm
Δύναμη έλξης	9000 N
Μέγεθος πριτσινιού Ø	
Μαύρο καφέ Κόκκινο Πράσινο	4,8 mm 4,0 mm 3,2 mm 2,4 mm
Υλικό πριτσινιού	Αλουμίνιο Χαλκός Χάλυβας Ανοξείδωτος χάλυβας
Βάρος σύμφωνα με τη διαδικασία EPTA 01/2003 (Li-Ion 2,0 Ah)	2,1 kg
Συνιστώμενη θερμοκρασία περιβάλλοντος για τη λειτουργία	-18°C ... +50°C
Συνιστώμενη δέσμη συσσωρευτών	M12B...
Συνιστώμενη συσκευή φόρτισης	C12C M12C4 M12-18 ...
<b>Πληροφορίες θορύβου</b>	
Τιμές μέτρησης εξακριβωμένες κατά EN 62841. Η σύμφωνα με την καμπύλη A εκτιμηθείσα στάθμη θορύβου του μηχανήματος αναφέρεται σε:	
Στάθμη ηχητικής πίεσης (Ανασφάλεια K=3dB(A))	53,1 dB(A)
Στάθμη ηχητικής ισχύος (Ανασφάλεια K=3dB(A))	64,1 dB(A)
<b>Φοράτε προστασία ακοής (ωτασπίδες)!</b>	
<b>Πληροφορίες δονήσεων</b>	
Υλικές τιμές κραδασμών (άθροισμα διανυσμάτων τριών διευθύνσεων) εξακριβώθηκαν σύμφωνα με τα πρότυπα EN 62841.	
Τιμή εκπομπής δονήσεων <sub>h</sub>	0,1 m/s <sup>2</sup>
Ανασφάλεια K=	1,5 m/s <sup>2</sup>

## ΠΡΟΕΙΔΟΠΟΙΗΣΗ!

Το αναφερόμενο σ' αυτές τις οδηγίες επίπεδο δονήσεων έχει μετρηθεί με μια τυποποιημένη σύμφωνα με το EN 62841 μέθοδο μέτρησης και μπορεί να χρησιμοποιηθεί για τη σύγκριση των ηλεκτρικών εργαλείων μεταξύ τους. Αυτό είναι επίσης κατάλληλο για μια προσωρινή εκτίμηση της επιβάρυνση των δονήσεων.

Το αναφερόμενο επίπεδο δονήσεων αντιπροσωπεύει τις κύριες χρήσεις του ηλεκτρικού εργαλείου. Εάν όμως το ηλεκτρικό χρησιμοποιείται σε άλλες χρήσεις, με διαφορετικά εργαλεία εφαρμογής ή ανεπαρκή συντήρηση, μπορεί να υπάρξει απόκλιση του επιπέδου δονήσεων. Αυτό μπορεί να αυξήσει σημαντικά την επιβάρυνση των δονήσεων για τη συνολική διάρκεια της εργασίας. Για μια ακριβή εκτίμηση της επιβάρυνσης των δονήσεων οφείλουν επίσης να λαμβάνονται υπόψη οι χρόνοι, στους οποίους η συσκευή είναι απενεργοποιημένη ή είναι μεν ενεργοποιημένη αλλά δεν χρησιμοποιείται πραγματικά. Αυτό μπορεί να μειώσει σημαντικά την επιβάρυνση των δονήσεων για τη συνολική διάρκεια της εργασίας.

Καθορίζετε πρόσθετα μέτρα ασφαλείας για την προστασία του χειριστή από την επίδραση των δονήσεων όπως για παράδειγμα: Συντήρηση του ηλεκτρικού εργαλείου και των εργαλείων εφαρμογής, διατηρείτε ζεστά τα χέρια, οργάνωση των διαδικασιών εργασίας.



**ΠΡΟΕΙΔΟΠΟΙΗΣΗ Διαβάστε όλες τις υποδείξεις ασφαλείας, τις οδηγίες, τις εικόνες και τα δεδομένα, τα οποία θα λάβετε μαζί με το μηχάνημα.** Αμέλειες κατά την τήρηση των προειδοποιητικών υποδείξεων μπορεί να προκαλέσουν ηλεκτροπληξία, κίνδυνο πυρκαγιάς ή/και σοβαρούς τραυματισμούς. **Φυλάξτε όλες τις προειδοποιητικές υποδείξεις και οδηγίες για κάθε μελλοντική χρήση.**



## ΥΠΟΔΕΙΞΙΣ ΑΣΦΑΛΕΙΑΣ ΠΡΙΤΣΙΝΑΔΟΡΟΥ

**Να πιάνετε τη συσκευή στις μονωμένες χειρολαβές όταν εκτελείτε εργασίες κατά τις οποίες τα κοπτικά εργαλεία θα μπορούσαν να πέσουν επάνω σε κρυμμένα καλώδια ρεύματος.** Η επαφή των κοπτικών εργαλείων με αγώνω τροφοδοσίας τάσης μπορεί να θέσει τα μεταλλικά τμήματα της συσκευής υπό τάση και να προκαλέσει ηλεκτροπληξία.

**Χρησιμοποιείτε προστατευτικό εξοπλισμό.** Συνιστούμε επίσης προστατευτική ενδυμασία όπως επίσης μάσκα προστασίας αναπνοής, προστατευτικά γάντια, σταθερά και ασφαλή στην ολίσθηση υποδήματα, κράνος και ωτασπίδες.

Σε περίπτωση βλάβης επισκευάστε τα άμεσα σε ένα εξουσιοδοτημένο συνεργείο.

Πριν από κάθε εργασία στη μηχανή αφαιρείτε την ανταλλακτική μπαταρία.

Για να αποφύγετε τραυματισμούς και ζημιές, μη βυθίζετε ποτέ το εργαλείο, τον επαναφορτιζόμενο συσσωρευτή ή τη συσκευή φόρτισης σε υγρό και μην επιτρέπετε ποτέ να εισχωρήσει υγρό σε αυτά.

Φορτίζετε τις ανταλλακτικές μπαταρίες του συστήματος M12 μόνο με φορτιστές του συστήματος M12. Μη φορτίζετε μπαταρίες από άλλα συστήματα.

Μην ανοίγετε τις ανταλλακτικές μπαταρίες και τους φορτιστές και χρησιμοποιείτε για αποθήκευση μόνο στεγνούς χώρους. Προστατεύετε τις ανταλλακτικές μπαταρίες και τους φορτιστές από την υγρασία.

Για να αποτρέπεται τον κίνδυνο πυρκαγιάς λόγω βραχυκυκλώματος, τραυματισμούς ή ζημιές του προϊόντος, να μη βυθίζετε το εργαλείο, τον ανταλλακτικό συσσωρευτή ή τη συσκευή φόρτισης σε υγρά και να φροντίζετε, ώστε να μη διεισδύουν υγρά στις συσκευές και τους συσσωρευτές. Διαβρωτικές ή αγώνυμες υγρές ουσίες, όπως αλάτονερο, ορισμένες χημικές ουσίες και λευκαντικά ή προϊόντα που περιέχουν λευκαντικά, μπορεί να προκαλέσουν βραχυκύκλωμα.

## ΧΡΗΣΗ ΣΥΜΦΩΝΑ ΜΕ ΤΟ ΣΚΟΠΟ ΠΡΟΟΡΙΣΜΟΥ

Το συγκεκριμένο καρφωτικό-πριτσιναδόρος είναι σχεδιασμένο για επαγγελματικές εφαρμογές τοποθέτησης τυφλών πριτσινιών.

## ΛΟΙΠΟΙ ΚΙΝΔΥΝΟΙ

Παρά την τήρηση των σχετικών κανονισμών ασφαλείας και τη χρήση προστατευτικών συσκευών, η εξάλειψη ορισμένων υπολειπόμενων κινδύνων δεν είναι δυνατή. Σε αυτούς συγκαταλέγονται:

- Μείωση της ακοής.
- Κίνδυνος σωματικών βλαβών από εκτοξευόμενα σωματίδια



## ΣΥΝΤΗΡΗΣΗ

Πριν από κάθε εργασία στη μηχανή αφαιρείτε την ανταλλακτική μπαταρία.

Για να αποφύγετε τραυματισμούς και ζημιές, μη βυθίζετε ποτέ το εργαλείο, τον επαναφορτιζόμενο συσσωρευτή ή τη συσκευή φόρτισης σε υγρό και μην επιτρέπετε ποτέ να εισχωρήσει υγρό σε αυτά.

Διατηρείτε πάντοτε τις σχισμές εξαερισμού της μηχανής καθαρές.

Οι εργασίες συντήρησης και επισκευής επιτρέπεται να διεξάγονται μόνο από εξειδικευμένα συνεργεία.

Χρησιμοποιείτε μόνο αξεσουάρ Milwaukee και ανταλλακτικά Milwaukee. Εξαρτήματα, που η αλλαγή τους δεν περιγράφεται, αντικαθιστώνται σε μια τεχνική υποστήριξη της Milwaukee (βλέπε φυλλάδιο εγγύηση/ διευθύνσεις τεχνικής υποστήριξης).

Όταν χρειάζεται, μπορείτε να ζητήσετε ένα σχέδιο συναρμολόγησης της συσκευής, δίνοντας τον τύπο της μηχανής και αριθμό στην πινακίδα ισχύος, από το κέντρο σέρβις ή απευθείας από τη φίρμα Techtronic Industries GmbH, Max-Eyth-Strabe 10, 71364 Winnenden, Germany.



## ΜΠΑΤΑΡΙΕΣ

Μια θερμοκρασία πάνω από 50°C μειώνει την ισχύ της ανταλλακτικής μπαταρίας. Αποφύγετε τη θέρμανση για μεγαλύτερο χρονικό διάστημα από τον ήλιο ή τις συσκευές θέρμανσης.

Διατηρείτε τις επαφές σύνδεσης στο φορτιστή και στην ανταλλακτική μπαταρία καθαρές.

Για μια άριστη διάρκεια ζωής πρέπει μετά τη χρήση οι μπαταρίες να φορτιστούν πλήρως. Επαναφορτίζετε τις ανταλλακτικές μπαταρίες που δεν έχουν χρησιμοποιηθεί για μεγαλύτερο χρονικό διάστημα πριν τη χρήση.

Για μια κατά το δυνατόν μεγάλη διάρκεια ζωής οι μπαταρίες μετά τη φόρτιση οφείλουν να αφαιρεθούν από το φορτιστή.

Για την αποθήκευση της μπαταρίας για διάστημα μεγαλύτερο των 30 ημερών, Αποθηκεύετε τη μπαταρία περ. στους 27°C σε στεγνό χώρο., Αποθηκεύετε τη μπαταρία περ. στο 30%-50% της κατάστασης φόρτισης., Κάθε 6 μήνες φορτίζετε εκ νέου τη μπαταρία.

Μην πετάτε τις μεταχειρισμένες ανταλλακτικές μπαταρίες στη φωτιά ή στα οικιακά απορρίμματα. Η Milwaukee προσφέρει μια απόσυρση των παλιών ανταλλακτικών μπαταριών σύμφωνα με τους κανόνες προστασίας του περιβάλλοντος, ρωτήστε παρακαλώ σχετικά στο ειδικό κατάστημα πώλησης.

Μην αποθηκεύετε τις ανταλλακτικές μπαταρίες μαζί με μεταλλικά αντικείμενα (κίνδυνος βραχυκυκλώματος).

## ΜΕΤΑΦΟΡΑ ΤΩΝ ΜΠΑΤΑΡΙΩΝ ΙΟΝΤΩΝ ΛΙΘΙΟΥ

Οι μπαταρίες ιόντων λιθίου υπόκεινται στις απαιτήσεις των νομικών διατάξεων για την μεταφορά επικινδύνων εμπορευμάτων.

Η μεταφορά τέτοιων μπαταριών πρέπει να πραγματοποιείται τηρώντας τους τοπικούς, εθνικούς και διεθνείς κανονισμούς και τις αντίστοιχες διατάξεις.

Επιτρέπεται η μεταφορά τέτοιων μπαταριών στο δρόμο χωρίς περαιτέρω απαιτήσεις.

Η εμπορική μεταφορά μπαταριών ιόντων λιθίου από εταιρείες μεταφορών υπόκειται στις απαιτήσεις των νομικών διατάξεων για την μεταφορά επικινδύνων εμπορευμάτων. Οι προετοιμασίες αποστολής και η μεταφορά πραγματοποιούνται αποκλειστικά από ειδικά εκπαιδευμένα πρόσωπα. Η συνολική διαδικασία συνοδεύεται από εξειδικευμένο προσωπικό.

Κατά τη μεταφορά μπαταριών ιόντων λιθίου πρέπει να προσέχετε τα εξής:

Φροντίστε τα σημεία επαφών να είναι προστατευμένα και μονωμένα ώστε να αποφευχθούν βραχυκυκλώματα. Προσέξτε το πακέτο μπαταριών να είναι σταθερό μέσα στη συσκευασία και να μη γλιστρά. Η μεταφορά μπαταριών που παρουσιάζουν φθορές ή διαρροές δεν επιτρέπεται. Για περισσότερες πληροφορίες απευθυνθείτε στην εταιρεία μετάφορων.

## ΔΗΛΩΣΗ ΠΙΣΤΟΤΗΤΑΣ ΕΚ

Δηλώνουμε με αποκλειστική μου ευθύνη, ότι το προϊόν που περιγράφεται στα «Τεχνικά Χαρακτηριστικά» συμμορφώνεται με όλες τις σχετικές διατάξεις των οδηγιών

2011/65/ΕΕ RoHS

2006/42/ΕΚ

2014/30/ΕΕ

και έχουν εφαρμοστεί τα ακόλουθα εναρμονισμένα πρότυπα

EN 62841-1:2015

EN 55014-1:2017

EN 55014-2:2015

EN 50581:2012



Winnenden, 2018-02-20

Alexander Krug / Managing Director  
Εξουσιοδοτημένος να συντάξει τον τεχνικό φάκελο.  
Techtronic Industries GmbH  
Max-Eyth-Strabe 10, 71364 Winnenden, Germany

## ΣΥΜΒΟΛΑ



Παρακαλώ διαβάστε σχολαστικά τις οδηγίες χρήσης πριν από την έναρξη λειτουργίας.



Να φοράτε προστατευτικά γάντια!



Στις εργασίες με τη μηχανή φοράτε πάντοτε προστατευτικά γυαλιά.



Κίνδυνος ηλεκτροπληξίας



ΠΡΟΣΟΧΗ! ΠΡΟΕΙΔΟΠΟΙΗΣΗ! ΚΙΝΔΥΝΟΣ!



Πριν από κάθε εργασία στη μηχανή αφαιρείτε την ανταλλακτική μπαταρία.



Εξαρτήματα - Δεν περιλαμβάνονται στα υλικά παράδοσης, συνιστούμενη προσθήκη από το πρόγραμμα εξαρτημάτων.



Ηλεκτρικά μηχανήματα, μπαταρίες/συσσωρευτές δεν επιτρέπεται να απορρίπτονται μαζί με τα οικιακά απορρίμματα. Ηλεκτρικά μηχανήματα και συσσωρευτές συλλέγονται ξεχωριστά και παραδίδονται προς ανακύκλωση με τρόπο φιλικό προς το περιβάλλον σε επιχείρηση επεξεργασίας απορριμμάτων. Ενημερωθείτε από τις τοπικές υπηρεσίες ή από ειδικευμένους εμπόρους σχετικά με κέντρα ανακύκλωσης και συλλογής απορριμμάτων.

**V** Βολτ AC

 Συνεχές ρεύμα



Σήμα συμμόρφωσης CE



TR 066

UkrSEPRO σήμα πιστότητας.



EurAsian σήμα πιστότητας.



TEKNİK VERİLER PERÇİN ALETİ	M12 BPRT
Üretim numarası	4670 73 01... ... 000001-999999
Kartuş akü gerilimi	12 V
Çene çapı Maks.	4,8 mm
Alet hareket uzunluğu	20,3 mm
Çekme kuvveti	9000 N
Perçin boyutu Ø	
Siyah	4,8 mm
kahverengi	4,0 mm
Kırmızı	3,2 mm
Yeşil	2,4 mm
Perçin malzemesi	Alüminyum Bakır Çelikte Paslanmaz çelik
Ağırlığı ise EPTA-üretici 01/2003'e göre (Li-Ion 2,0 Ah)	2,1 kg
Çalıştırılması için tavsiye edilen ortam sıcaklığı	-18°C ... +50°C
Tavsiye edilen güç paketleri	M12B...
Tavsiye edilen şarj aletleri	C12C M12C4 M12-18 ...
<b>Gürültü bilgileri</b>	
Ölçüm değerleri EN 62841 e göre belirlenmektedir. Aletin, frekansa bağımlı uluslararası ses basıncı seviyesi değerlendirme eğrisi A'ya göre tipik gürültü seviyesi:	
Ses basıncı seviyesi (Tolerans K=3dB(A))	53,1 dB(A)
Akustik kapasite seviyesi (Tolerans K=3dB(A))	64,1 dB(A)
<b>Koruyucu kulaklık kullanın!</b>	
<b>Vibrasyon bilgileri</b>	
Toplam titreşim değeri (üç yönün vektör toplamı) EN 62841'e göre belirlenmektedir:	
titreşim emisyon değeri <sub>h</sub>	0,1 m/s <sup>2</sup>
Tolerans K=	1,5 m/s <sup>2</sup>

## UYARI!

Bu talimatlarda belirtilen titreşim seviyesi, EN 62841 standardına uygun bir ölçme metodu ile ölçülmüştür ve elektrikli el aletleri birbiriyle karşılaştırmak için kullanılabilir. Ölçüm sonuçları ayrıca titreşim yükünün geçici değerlendirmesi için de uygundur.

Belirtilen titreşim seviyesi, elektrikli el aletinin genel uygulamaları için geçerlidir. Ancak elektrikli el aleti başka uygulamalar için, farklı eklenti parçalarıyla ya da yetersiz bakım koşullarında kullanılırsa, titreşim seviyesi farklılık gösterebilir. Bu durumda, titreşim yükü toplam çalışma zaman aralığı içerisinde belirgin ölçüde yükselebilir. Titreşim yükünün tam bir değerlendirmesi için ayrıca cihazın kapalı olduğu süreler ve cihazın çalışır durumda olduğu, ancak gerçek kullanımda bulunmadığı süreler de dikkate alınmalıdır. Böylelikle, toplam çalışma zamanı aralığı boyunca meydana gelen titreşim yükü belirgin ölçüde azaltılabilir.

Kullanıcıyı titreşimlerin etkisinden korumak üzere, örneğin elektrikli el aletlerinin ve eklenti parçalarının bakımı, ellerin sıcak tutulması ve iş akışlarının organizasyonu gibi ek güvenlik tedbirleri belirleyiniz.

**UYARI** Cihazla birlikte gelen tüm güvenlik uyarılarını, talimatları, çizimleri ve bilgileri okuyun. Açıklanan uyarılara ve talimat hükümlerine uyulmadığı takdirde elektrik çarpmalarına, yangınlara ve/veya ağır yaralanmalara neden olunabilir. **Bütün uyarıları ve talimat hükümlerini ileride kullanmak üzere saklayın.**

## PERÇİN ALETİ GÜVENLİK UYARILARI

**Kesme aletinin eğrilmiş elektrik kabloları isabet eden çalışmalar yapıldıktan sonra izole edilmiş kollarından tutun.**

Kesme aletinin içinden elektrik akımı geçen kablo ile temas etmesi durumunda elektrik akımı cihazın metal kısımlarına geçer ve elektrik çarpmasına sebebiyet verebilir.

**Koruma teçhizatı kullanın.** Koruyucu elbise ve tozlardan korunma maskesi, emniyet eldivenleri ve sağlam ve kaymaya mukavim ayakkabı giyin. Başlık ve kulaklık tavsiye edilir. Hasarları derhal yetkili bir tamirhanede tamir ettiriniz.

Aletin kendinde bir çalışma yapmadan önce kartuş aküyü çıkarın.

Yaralanma ve hasarları önlemek için aleti, çıkarılabilir pili veya şarj cihazını asla bir sıvıya batırmayın, içlerine sıvı girmesine izin vermeyin.

M12 sistemli kartuş aküleri sadece M12 sistemli şarj cihazları ile şarj edin. Başka sistemli aküleri şarj etmeyin.

Kartuş aküleri ve şarj cihazını açmayın ve sadece kuru yerlerde saklayın. Neme ve ıslanmaya karşı koruyun.

Bir kısa devreden kaynaklanan yangın, yaralanma veya ürün hasarları tehlikesini önlemek için aleti, güç paketini veya şarj cihazını asla sıvıların içine daldırmayın ve cihazların ve pillerin içine sıvı girmesini önleyiniz. Tuzlu su, belirli kimyasallar, ağartıcı madde veya ağartıcı madde içeren ürünler gibi korozif veya iletken sıvılar kısa devreye neden olabilir.

## KULLANIM

Bu elektrikli kör perçin aleti, profesyonel kör perçin uygulamaları için tasarlanmıştır.

## KALAN TEHLİKELER

İlgili güvenlik düzenlemelerinin uygulanmasına ve güvenli cihazların kullanılmasına rağmen, bazı kalıntı risklerden kaçınılamaz. Bunlardan bazıları:

- İşitme bozukluğu
- Uçan parçacıklar nedeniyle kişisel yaralanma riski

## BAKIM

Aletin kendinde bir çalışma yapmadan önce kartuş aküyü çıkarın.

Yaralanma ve hasarları önlemek için aleti, çıkarılabilir pili veya şarj cihazını asla bir sıvıya batırmayın, içlerine sıvı girmesine izin vermeyin.

Aletin havalandırma aralıklarını daima temiz tutun.

Bakım ve tamir işleri sadece yetkili tamirhaneler tarafından yapılabilir.

Sadece Milwaukee aksesuarı ve yedek parçası kullanın. Nasıl değiştirileceği açıklanmamış olan yapı parçalarını bir Milwaukee müşteri servisinde değiştirin (Garanti ve servis adresi broşürüne dikkat edin).

Gerektiği takdirde aletin dağıtım görüntü şeması, alet tipinin ve tip etiketi üzerindeki sayının bildirilmesi koşuluyla müşteri servisinde veya doğrudan Techtron Industries GmbH, Max-Eyth-Straße 10, 71364 Winnenden, Germany adresinden istenebilir.

## AKÜ

50°C üzerindeki sıcaklıklar kartuş akünün performansını düşürür. Akünün güneş ışığı veya mekân sıcaklığı altında uzun süre ısınmamasına dikkat edin.

Şarj cihazı ve kartuş aküdeki bağlantı kontaklarını temiz tutun.

Akünün ömrünün mükemmel bir şekilde uzun olması için kullandıktan sonra tamamen doldurulması gerekir. Uzun süre kullanım dışı kalmış kartuş aküleri kullanmadan önce şarj edin.

Ömrünün mümkün olduğu kadar uzun olması için akülerin yükleme yapıldıktan sonra doldurma cihazından uzaklaştırılması gerekir.

Akünün 30 günden daha fazla depolanması halinde, Aküyü takriben 27°C'de kuru olarak depolayın., Aküyü yükleme durumunun takriben % 30 - %50 olarak depolayın., Aküyü her 6 ay yeniden doldurun.

Kullanılmış kartuş aküleri ateşe veya ev çöplerine atmayın. Milwaukee, kartuş akülerin çevreye zarar vermeyecek biçimde tasfiye edilmesine olanak sağlayan hizmet sunar; lütfen bu konuda yetkili satıcınızdan bilgi alın.

Kartuş aküleri metal parça veya eşyalarla birlikte saklamayın (kısa devre tehlikesi).

## LİTYUM İYON PİLLERİN TAŞINMASI

Lityum iyon piller tehlikeli madde taşımacılığı hakkındaki yasal hükümler tabidir.

Bu piller, bölgesel, ulusal ve uluslararası yönetmeliklere ve hükümlere uyularak taşınmak zorundadır.

Tüketiciler bu pilleri herhangi bir özel şart aranmaksızın karayoluyla taşıyabilirler.

Lityum iyon pillerin nakliye şirketleri tarafından ticari taşımacılığı için tehlikeli madde taşımacılığının hükümleri geçerlidir. Sevk hazırlığı ve taşıma sadece ilgili eğitimi görmüş personel tarafından gerçekleştirilebilir. Bütün süreç uzmanca bir refakatçilik altında gerçekleştirilmek zorundadır.

Pillerin taşınması sırasında aşağıdaki hususlara dikkat edilmesi gerekmektedir:

Kısa devre oluşmasını önlemek için kontakların korunmuş ve izole edilmiş olmasına sağlayınız. PİL paketinin ambalajı içinde kaymamasına dikkat ediniz. Hasarlı veya akmış pillerin taşınması yasaktır. Ayrıca bilgiler için nakliye şirketinize başvurunuz.

## CE UYGUNLUK BEYANI

"Teknik veriler" başlığı altında tanımlanan ürünün, sayılı direktiflerdeki tüm hükümleri

2011/65/EU RoHS  
2006/42/EC  
2014/30/EU  
uyumlaştırılmış standartları  
EN 62841-1:2015  
EN 55014-1:2017  
EN 55014-2:2015  
EN 50581:2012



Winnenden, 2018-02-20

Alexander Krug / Managing Director  
Teknik evrakları hazırlamakla görevlendirilmiştir.  
Techtronic Industries GmbH  
Max-Eyth-Straße 10, 71364 Winnenden, Germany



## SEMBOLLER



Lütfen aleti çalıştırmadan önce kullanma kılavuzunu dikkatli biçimde okuyun.



Koruyucu eldivenlerinizi takınız!



Aletle çalışırken daima koruyucu gözlük kullanın.



Elektrik çarpması tehlikesi



**DİKKAT! UYARI! TEHLİKE!**



Aletin kendinde bir çalışma yapmadan önce kartuş aküyü çıkarın.



Aksesuar - Teslimat kapsamında değildir, önerilen tamamlamalar aksesuar programında.



Elektrikli cihazların, pillerin/akülerin evsel atıklarla birlikte bertaraf edilmesi yasaktır. Elektrikli cihazlar ve aküler ayrılarak biriktirilmeli ve çevreye zarar vermeden bertaraf edilmeleri için bir atık değerlendirme tesisine götürülmelidirler. Yerel makamlara veya satıcınıza geri dönüşüm tesisleri ve atık toplama merkezlerinin yerlerini danışınız.

**V**

Voltaj



Doğru akım



CE işareti



UkrSEPRO Uyumluluk işareti



EurAsian Uyumluluk işareti



TECHNICKÁ DATA NÝTOVACÍ NÁSTROJ	M12 BPRT
Výrobní číslo	4670 73 01... ... 000001-999999
Napětí výměnného akumulátoru	12 V
Průměr celisti max.	4,8 mm
Délka zdvihu nástroje	20,3 mm
Ťahová síla	9000 N
Velikost nýtu Ø	
Černá	4,8 mm
hnědá	4,0 mm
Červená	3,2 mm
Zelená	2,4 mm
Materiál nýtu	Hliník Měď Ocel Ušlechtilá ocel
Hmotnost podle prováděcího předpisu EPTA 01/2003 (Li-Ion 2,0 Ah)	2,1 kg
Doporučená teplota okolí pro provoz	-18°C ... +50°C
Doporučené akupaky	M12B...
Doporučené nabíječky	C12C M12C4 M12-18 ...
<b>Informace o hluku</b>	
Naměřené hodnoty odpovídají EN 62841. V třídě A posuzovaná hladina hluku přístroje činí typicky:	
Hladina akustického tlaku (Kolisavost K=3dB(A))	53,1 dB(A)
Hladina akustického výkonu (Kolisavost K=3dB(A))	64,1 dB(A)
<b>Používejte chrániče sluchu !</b>	
<b>Informace o vibracích</b>	
Celkové hodnoty vibrací (vektorový součet tří směrů) zjištěné ve smyslu EN 62841.	
Hodnota vibrační emise <sub>h</sub>	0,1 m/s <sup>2</sup>
Kolisavost K=	1,5 m/s <sup>2</sup>

## VAROVÁNÍ!

Úroveň chvění uvedená v tomto návodu byla naměřena podle metody měření stanovené normou EN 62841 a může být použita pro porovnání elektrického nářadí. Hodí se také pro průběžný odhad zatížení chvěním.

Uvedená úroveň chvění představuje hlavní účely použití elektrického nářadí. Jestliže se ale elektrické nářadí používá pro jiné účely, s odlišnými nástroji nebo s nedostatečnou údržbou, může se úroveň chvění odlišovat. To může značně zvýšit zatížení chvěním během celé pracovní doby.

Pro přesný odhad zatížení chvěním se musí také zohlednit čas, během kterých je přístroj vypnutý nebo kdy je síce v chodu, ale skutečně se s ním nepracuje. To může zatížení chvěním během celé pracovní doby značně snížit.

Stanovte doplňková bezpečnostní opatření pro ochranu obsluhy před účinky chvění jako například: technická údržba elektrického nářadí a nástrojů, udržování teploty rukou, organizace pracovních procesů.

**VAROVÁNÍ** Přečtěte si všechny bezpečnostní pokyny, instrukce, popisy a údaje, které obdržíte s přístrojem.

Zanedbání při dodržování varovných upozornění a pokynů mohou mít za následek úder elektrickým proudem, požár a ebo těžká poranění.

Všechna varovná upozornění a pokyny do budoucna uschovejte.

## **BEZPEČNOSTNÍ UPOZORNĚNÍ PRO NÝTOVACÍ NÁSTROJ**

**Při provádění prací, při kterých nástroj může narazit na skryta elektrická vedení, držte přístroj za izolované přidržovací plošky.** Kontakt řezného nástroje s vedením pod napětím může vést k přenosu napětí na kovové části přístroje a k úrazu elektrickým proudem.

**Použijte ochranné vybavení.** Doporučujeme rovněž použití součástí ochranného oděvu a ochranné obuvi, jako protiprašné masky, ochranných rukavic, pevné a neklouzající obuvi, ochranné přilby a ochrany sluchu.

Poškození nechte okamžitě opravit v autorizované speciální dílně. Před zahájením veškerých prací na vrtacím šroubováku vyjmout výměnný akumulátor.

Aby nedošlo ke zranění nebo poškození, neponořujte nikdy nástroj, vyjimatelnou baterii nebo nabíječku do kapaliny a nedovoďte, aby do nich nějaká kapalina vnikla.

Akumulátor systému M12 nabíjejte pouze nabíječkou systému M12. Nenabíjejte akumulátory jiných systémů.

Náhradní akumulátory ani nabíječku neotvírejte, skladujte je v suchu, chraňte před vlhkem.

Abyste zabránili nebezpečí požáru způsobeného zkratem, poraněním nebo poškozením výrobku, neponořujte nářadí, výměnnou baterii nebo nabíječku do kapalin a zajistěte, aby do zařízení a akumulátorů nevnikly žádné tekutiny. Korodující nebo vodivé kapaliny, jako je slaná voda, určité chemikálie a bělicí prostředky nebo výrobky, které obsahují bělidlo, mohou způsobit zkrat.

## OBLAST VYUŽITÍ

Tento elektrický nástroj na slepé nýty je určen pro profesionální aplikace nastavování slepého nýtu.

## ZBÝVAJÍCÍ RIZIKA

Navzdory aplikaci příslušných bezpečnostních předpisů a implementaci bezpečnostních zařízení se nelze vyhnout určitým zbytkovým rizikům. Jsou to:

- Zhoršení sluchu.
- Riziko zranění osoby způsobeného letícími částicemi

## ÚDRŽBA

Před zahájením veškerých prací na vrtacím šroubováku vyjmout výměnný akumulátor.

Aby nedošlo ke zranění nebo poškození, neponořujte nikdy nástroj, vyjimatelnou baterii nebo nabíječku do kapaliny a nedovoďte, aby do nich nějaká kapalina vnikla.

Větrací štěrbinu nářadí udržujeme stále čisté.

Údržbářské a opravárenské práce smějí vykonávat jen autorizované specializované dílny.

Používat výhradně příslušenství Milwaukee a náhradní díly Milwaukee. Díly jejichž výměny nebyla popsána, nechte vyměnit v autorizovaném servisu (viz. "Záruky / Seznam servisních míst")

Při potřebě podrobného rozkresu konstrukce, oslovte informaci o typu a čísle přímo servis a nebo výrobce, Techtronic Industries GmbH, Max-Eyth-Str. 10, 71364 Winnenden, Germany.



## AKUMULÁTORY

Teplota přes 50°C snižuje výkon akumulátoru. Chraňte před dlouhým přehříváním na slunci či u topení.

Kontakty nabíječky a akumulátoru udržujte v čistotě.

Pro optimální životnost je nutné akumulátory po použití plně dobít.

Déle nepoužívané akumulátory je nutné před použitím znovu nabít.

K zabezpečení dlouhé životnosti by se akumulátory měly po nabití vyjmout z nabíječky.

Při skladování akumulátoru po dobu delší než 30 dní, skladujte akumulátor v suchu při cca 27°C., skladujte akumulátor při cca 30%-50% nabíjecí kapacity., Opakujte nabíjení akumulátoru každých 6 měsíců.

Použité nevyhazujte do domovního odpadu nebo do ohně. Milwaukee nabízí ekologickou likvidaci starých článků, ptejte se u vašeho obchodníka s nářadím.

Náhradní akumulátor neskladujte s kovovými předměty, nebezpečí zkratů.

## PŘEPRAVA LITHIUM-IONTOVÝCH BATERIÍ

Lithium-iontové baterie spadají podle zákonných ustanovení pod přepravu nebezpečného nákladu.

Přeprava těchto baterií se musí realizovat s dodržováním lokálních, vnitrostátních a mezinárodních předpisů a ustanovení.

Spotřebitelé mohou tyto baterie bez problémů přepravovat po komunikacích.

Komerční přeprava lithium-iontových baterií prostřednictvím přepravních firem podléhá ustanovením o přepravě nebezpečného nákladu. Přípravu k vyexpedování a samotnou přepravu směji vykonávat jen příslušně vyškolené osoby. Na celý proces se musí odborně dohlížet.

Při přípravě baterií je třeba dodržovat následující:

Zajistěte, aby kontakty byly chráněné a izolované, aby se zamezilo zkratům. Dávejte pozor na to, aby se svazek baterií v rámci balení nemohl sesmeknout. Poškozené a vytekající baterie se nesmějí přepravovat. Ohledně dalších informací se obraťte na vaši přepravní firmu.

## CE-PROHLÁŠENÍ O SHODĚ

Prohlašujeme na naši výhradní odpovědnost, že produkt popsán v části „Technické údaje“ splňuje všechna příslušná ustanovení směrnice

2011/65/EU RoHS

2006/42/ES

2014/30/EU

a byly použity následující harmonizované normy

EN 62841-1:2015

EN 55014-1:2017

EN 55014-2:2015

EN 50581:2012



Winnenden, 2018-02-20

Alexander Krug / Managing Director

Zplnomocněn k sestavování technických podkladů.

Techtronic Industries GmbH

Max-Eyth-Straße 10, 71364 Winnenden, Germany

## SYMBOLY



Před spuštěním stroje si pečlivě přečtěte návod k používání.



Používejte ochranné rukavice!



Při práci se strojem neustále nosit ochranné brýle.



Nebezpečí úrazu elektrickým proudem



POZOR! VAROVÁN! NEBEZPEČÍ!



Před zahájením veškerých prací na vrtacím šroubováku vyjmout výměnný akumulátor.



Příslušenství není součástí dodávky, viz program příslušenství.



Elektrická zařízení, baterie/akumulátory se nesmí likvidovat společně s odpadem z domácnosti. Elektrická zařízení, baterie/akumulátory je třeba sbírat odděleně a odevzdat je v recyklačním podniku na ekologickou likvidaci. Na místních úřadech nebo u vašeho specializovaného prodejce se informujte na recyklační podniky a sběrné dvory.



Napájení V~



Stejnosměrný proud



Značka CE



UkrSEPRO značka shody



Euroasijská značka shody

TECHNICKÉ ÚDAJE NITOVACÍ NÁSTROJ	M12 BPRT
Výrobné číslo	4670 73 01... ... 000001-999999
Napätie výmenného akumulátora	12 V
Priemer čeluste max.	4,8 mm
Dĺžka zdvihu nástroja	20,3 mm
Ťahová sila	9000 N
Veľkosť nitu Ø	4,8 mm 4,0 mm 3,2 mm 2,4 mm
čierna hnedý červené zelené	
Materiál nitu	Hliník Meď Oceľ Ušľachtilá oceľ
Hmotnosť podľa vykonávacieho predpisu EPTA 01/2003 (Li-Ion 2,0 Ah)	2,1 kg
Odporúčaná teplota okolia pre prevádzku	-18°C ... +50°C
Odporúčaná akupaky	M12B...
Odporúčané nabíjačky	C12C M12C4 M12-18 ...
<b>Informácia o hluku</b>	
Namerané hodnoty určené v súlade s EN 62841. V triede A posudzovaná hladina hluku prístroja činí typicky:	
Hladina akustického tlaku (Kolísavosť K=3dB(A))	53,1 dB(A)
Hladina akustického výkonu (Kolísavosť K=3dB(A))	64,1 dB(A)
<b>Používajte ochranu sluchu!</b>	
<b>Informácie o vibráciách</b>	
Celkové hodnoty vibrácií (vektorový súčet troch smerov) zistených zmysle EN 62841.	
Hodnota vibračných emisií <sub>h</sub>	0,1 m/s <sup>2</sup>
Kolísavosť K=	1,5 m/s <sup>2</sup>

## POZOR!

Úroveň vibrácií uvedená v týchto pokynoch bola nameraná meracou metódou, ktorú stanovuje norma EN 62841 a je možné ju použiť na vzájomné porovnanie elektrického náradia. Hodí sa aj na predbežné posúdenie kmitavého namáhania.

Uvedená úroveň vibrácií reprezentuje hlavné aplikácie elektrického náradia. Ak sa však elektrické náradie používa pre iné aplikácie, s odlišnými vložkami nástrojmi alebo s nedostatočnou údržbou, môže sa úroveň vibrácií líšiť. Toto môže kmitavé namáhanie v priebehu celej pracovnej doby podstatne zvýšiť.

Pre presný odhad kmitavého namáhania by sa mali tiež zohľadniť doby, v ktorých je náradie vypnuté alebo je síce v chode, ale v skutočnosti sa nepoužíva. Toto môže kmitavé namáhanie v priebehu celej pracovnej doby zreteľne redukovať.

Stanovte dodatočné bezpečnostné opatrenia pre ochranu obsluhy pred účinkami vibrácií, ako napríklad: údržba elektrického náradia a vložených nástrojov, udržiavanie teploty rúk, organizácia pracovných postupov.



**POZOR** Prečítajte si všetky bezpečnostné upozornenia, pokyny, vyobrazenia a údaje, ktoré dostanete spolu s prístrojom. Zanedbanie dodržiavania Výstražných upozornení a pokynov uvedených v nasledujúcom texte môže mať za následok zášah elektrickým prúdom, spôsobíť požiar a/alebo ťažké poranenie.

**Tieto Výstražné upozornenia a bezpečnostné pokyny starostlivo uschovajte na budúce použitie.**



## BEZPEČNOSTNÉ UPOZORNENIA PRE NITOVACÍ NÁSTROJ

**Pri realizovaní prác, pri ktorých nástroj môže naraziť na skryté elektrické vedenia, držte prístroj za izolované pridržovacie plošky.** Kontakt rezného nástroja s vedením pod napätím môže viesť k prenosu napätia na kovové časti prístroja a k úrazu elektrickým prúdom.

**Použite ochranné vybavenie.** Doporučujeme taktiež použitie súčasti ochranného odevu a ochrannéj obuvi, ako sú protiprašná maska, ochranné rukavice, pevná a nekľzajúca obuv, ochranná prilba a ochrana sluchu.

Poškodenia nechajte okamžite opraviť v autorizovanej špecializovanej dielni.

Pred každou prácou na stroji výmenný akumulátor vytiahnuť.

Aby nedošlo k poraneniu a poškodeniam, nikdy neponárajte nástroj, vymeniteľnú batériu ani nabíjačku do kvapaliny a zabráňte vniknutiu kvapaliny do nich.

Výmenné akumulátory systému M12 nabíjať len nabíjacími zariadeniami systému M12. Akumulátory iných systémov týmto zariadením nenabíjať.

Výmenné akumulátory a nabíjacie zariadenia neotvárať a skladovať len v suchých priestoroch. Chrániť pred vlhkosťou.

Aby ste zabránili nebezpečenstvu požiaru spôsobeného skratom, poraneniam alebo poškodeniam výrobku, neponárajte náradie, výmennú batériu alebo nabíjačku do kvapalín a postarajte sa o to, aby do zariadení a akumulátorov nevnikli žiadne tekutiny. Korodujúce alebo vodivé kvapaliny, ako je slaná voda, určité chemikálie a bieliace prostriedky alebo výrobky, ktoré obsahujú bieliadlo, môžu spôsobiť skrat.

## POUŽITIE PODĽA PREDPISOV

Tento elektrický nástroj na slepé nity je určený pre profesionálne aplikácie nastavovania slepého nitu.

## ZVÝŠKOVÉ RIZIKÁ

Napriek uplatňovaniu príslušných bezpečnostných predpisov a implementácii bezpečnostných zariadení sa nemožno vyhnúť určitým zvyškovým rizikám. Sú to:

- Zhoršenie sluchu.
- Riziko zranenia osoby spôsobeného letiacimi časticami



Slov

## ÚDRZBA

Pred každou prácou na stroji výmenný akumulátor vyťahnuť. Aby nedošlo k poraneniu a poškodeniam, nikdy neponárajte nástroj, vymeniteľnú batériu ani nabíjačku do kvapaliny a zabráňte vniknutiu kvapaliny do nich.

Vetracie otvory udržiavať stále v čistote.

Údržbárske a opravárske práce smú vykonávať len autorizované špecializované dielne.

Používať len Milwaukee príslušenstvo a Milwaukee náhradné diely.

Súčiastky bez návodu na výmenu treba dať vymeniť v jednom z Milwaukee zákazníckych centier (viď brožúru Záruka/Adresy zákazníckych centier).

Pri udaní typu stroja a čísla nachádzajúceho sa na štítku dá sa v prípade potreby vyžiadať explozívna schéma prístroja od vášho zákazníckeho centra alebo priamo v Techtronic Industries GmbH, Max-Eyth-Straße 10, 71364 Winnenden, Germany.



Slov

## AKUMULÁTORY

Teplota vyššia ako 50°C znižuje výkon výmenného akumulátora.

Zabráňte dlhšiemu ohriatiu slnkom alebo kúrením.

Pripájacie kontakty na nabíjacom zariadení a výmennom akumulátore udržiavať čisté.

Pre optimálnu životnosť je nutné akumulátory po použití plne dobiť. Dlhší čas nepoužívané výmenné akumulátory pred použitím dobiť.

K zabezpečeniu dlhej životnosti by sa akumulátory mali po nabití vybrať z nabíjačky.

Pri skladovaní akumulátora po dobu dlhšiu než 30 dní: Skladujte akumulátor v suchu pri cca 27°C., Skladujte akumulátor pri cca 30%-50% nabijacej kapacite., Opakujte nabíjanie akumulátora každých 6 mesiacov.

Opotrebované výmenné akumulátory nezahadzujte do ohňa alebo medzi domový odpad. Milwaukee ponúka likvidáciu starých výmenných akumulátorov, ktorá je v súlade s ochranou životného prostredia; informujte sa u Vášho predajcu.

Výmenné akumulátory neskladovať spolu s kovovými predmetmi (nebezpečenstvo skratu).

## PREPRAVA LÍTIOVO-IÓNOVÝCH BATÉRIÍ

Lítiovo-iónové batérie podľa zákonných ustanovení spadajú pod prepravu nebezpečného nákladu.

Preprava týchto batérií sa musí realizovať s dodržiavaním lokálnych, vnútroštátnych a medzinárodných predpisov a ustanovení.

Spotrebiteľia môžu tieto batérie bez problémov prepravovať po cestách.

Komerčná preprava lítiovo-iónových batérií prostredníctvom špedičných firiem podlieha ustanoveniam o preprave nebezpečného nákladu. Pripravu k vyexpedovaniu a samotnú prepravu smú vykonávať iba adekvátne vyškolené osoby. Na celý proces sa musí odborne dohliadať.

Pri preprave batérií treba dodržiavať nasledovné:

Zabezpečte, aby boli kontakty chránené a izolované, aby sa zamedzilo skratom. Dávajte pozor na to, aby sa zväzok batérií v rámci balenia nemohol zošmyknúť. Poškodené a vytečené batérie sa nesmú prepravovať. Kvôli ďalším informáciám sa obráťte na vašu špedičnú firmu.

## CE - VYHLÁSENIE KONFORMITY

Na našu výhradnú zodpovednosť vyhlasujeme, že produkt popísaný v časti „Technické údaje“ spĺňa všetky príslušné ustanovenia smerníc

2011/65/EÚ RoHS

2006/42/ES

2014/30/EÚ

a boli použité nasledovné harmonizované normy

EN 62841-1:2015

EN 55014-1:2017

EN 55014-2:2015

EN 50581:2012



Winnenden, 2018-02-20

Alexander Krug / Managing Director

Spĺnomocnený zostaviť technické podklady.

Techtronic Industries GmbH

Max-Eyth-Straße 10, 71364 Winnenden, Germany

## SYMBOLY



Pred prvým použitím prístroja si pozorne prečítajte návod na obsluhu.



Používajte ochranné rukavice!



Pri práci so strojom vždy noste ochranné okuliare.



Nebezpečenstvo úderu elektrickým prúdom



POZOR! NEBEZPEČENSTVO!



Pred každou prácou na stroji výmenný akumulátor vytiahnuť.



Príslušenstvo - nie je súčasťou štandardnej výbavy, odporúčané doplnenie z programu príslušenstva.



Elektrické zariadenia, batérie/akumulátory sa nesmú likvidovať spolu s odpadom z domácností. Elektrické zariadenia, batérie/akumulátory treba zbierať oddelene a odovzdať ich v recyklačnom podniku na ekologickú likvidáciu. Na miestnych úradoch alebo u vášho špecializovaného predajcu sa spýtajte na recyklačné podniky a zberné dvory.

**V** Napätie



Jednosmerný prúd



Značka CE



UkrSEPRO značka zhody



Euroázijská značka zhody





DANE TECHNICZNE NITOWNICA	M12 BPRT
Numer produkcyjny	4670 73 01... ... 000001-999999
Napięcie baterii akumulatorowej	12 V
Średnica szczęki mocującej maks.	4,8 mm
Długość skoku narzędzia	20,3 mm
Siła rozciągająca	9000 N
Rozmiar nitu Ø	
Czarny	4,8 mm
Brązowy	4,0 mm
Czerwony	3,2 mm
Zielony	2,4 mm
Materiał nitu	Aluminium Miedź Stal Stal nierdzewna
Ciężar wg procedury EPTA 01/2003 (Li-Ion 2,0 Ah)	2,1 kg
Zalecana temperatura otoczenia w trakcie eksploatacji	-18°C ... +50°C
Zalecane zestawy akumulatorowe	M12B...
Zalecane ładowarki	C12C M12C4 M12-18 ...
<b>Informacja dotycząca szumów</b>	
Zmierzone wartości wyznaczono zgodnie z normą EN 62841. Poziom szumów urządzenia oszacowany jako A wynosi typowo:	
Poziom ciśnienia akustycznego (Niepewność K=3dB(A))	53,1 dB(A)
Poziom mocy akustycznej (Niepewność K=3dB(A))	64,1 dB(A)
<b>Należy używać ochraniaczy uszu!</b>	
<b>Informacje dotyczące wibracji</b>	
Wartości łączne drgań (suma wektorowa trzech kierunków) wyznaczone zgodnie z normą EN 62841	
Wartość emisji drgań <sub>a</sub>	0,1 m/s <sup>2</sup>
Niepewność K=	1,5 m/s <sup>2</sup>

### OSTRZEŻENIE!

Podany w niniejszych instrukcjach poziom drgań został zmierzony za pomocą metody pomiarowej zgodnej z normą EN 62841 i może być użyty do porównania ze sobą elektronarzędzi. Nadaje się on również do tymczasowej oceny obciążenia wibracyjnego.

Podany poziom drgań reprezentuje główne zastosowania elektronarzędzia. Jeśli jednakże elektronarzędzie użyte zostanie do innych celów z innymi narzędziami roboczymi lub nie jest dostatecznie konserwowane, wtedy poziom drgań może wykazywać odchylenia. Może to wyraźnie zwiększyć obciążenie wibracjami przez cały okres pracy.

Dla dokładnego określenia obciążenia wibracjami należy uwzględnić również czasy, w których urządzenie jest wyłączone względnie jest włączone, lecz w rzeczywistości nie pracuje. Może to spowodować wyraźną redukcję obciążenia wibracyjnego w całym okresie pracy. Należy wprowadzić dodatkowe środki zapobiegawcze celem ochrony obsługującego przed oddziaływaniem drgań, jak na przykład: konserwacja narzędzi roboczych i elektronarzędzi, nagranie rąk, organizacja przebiegu pracy.

**OSTRZEŻENIE** Przeczytać wszystkie wskazówki bezpieczeństwa, instrukcje, ilustracje i dane dołączone do urządzenia. Błędy w przestrzeganiu poniższych wskazówek mogą spowodować porażenie prądem, pożar i/lub ciężkie obrażenia ciała. **Należy starannie przechowywać wszystkie przepisy i wskazówki bezpieczeństwa dla dalszego zastosowania.**

### OSTRZEŻENIA DOTYCZĄCE NITOWNICY

**Trzymaj urządzenie za izolowane powierzchnie chwytne gdy wykonujesz roboty, w trakcie których narzędzie skrawające może natrafić na ukryte przewody prądowe.**

Styczność narzędzia skrawającego z będącym pod napięciem przewodem może spowodować podłączenie części metalowych urządzenia do napięcia i prowadzić do porażenia prądem elektrycznym.

**Stosować wyposażenie ochronne.** Zalecana jest odzież ochronna, jak maska pyłochronna, rękawice ochronne, mocne i chroniące przed poślizgiem obuwie, kask i ochronniki słuchu.

Naprawę uszkodzeń należy natychmiast zlecić autoryzowanemu warsztatowi specjalistycznemu.

Przed przystąpieniem do jakichkolwiek prac na elektronarzędziu należy wyjąć wkładkę akumulatorową.

W celu uniknięcia obrażeń lub szkód nigdy nie należy zanurzać narzędzia, wymiennej baterii ani ładowarki w cieczy ani nie dopuszczać, aby ciecz przeniknęła do ich wnętrza.

Akumulatory Systemu M12 należy ładować wyłącznie przy pomocy ładowarek Systemu M12. Nie ładować przy pomocy tych ładowarek akumulatorów innych systemów.

Nie otwierać wkładek akumulatorowych i ładowarek. Przechowywać w suchych pomieszczeniach. Chronić przed wilgocią.

Aby uniknąć niebezpieczeństwa pożaru, obrażeń lub uszkodzeń produktu na skutek zwarcia, nie wolno zanurzać narzędzia, akumulatora wymiennego ani ładowarki w cieczach i należy zatroszczyć się o to, aby do urządzeń i akumulatorów nie dostały się żadne ciecz. Zwarcie spowodować mogą korodujące lub przewodzące ciecz, takie jak woda morska, określone chemikalia i wybielacze lub produkty zawierające wybielacze.

### WARUNKI UŻYTKOWANIA

To elektronarzędzie jest przeznaczone do montażu nitów jednostronnych.

### ZAGROŻENIA RESZTKOWE

Pomimo zastosowania odpowiednich przepisów bezpieczeństwa i urządzeń zabezpieczających, nie można uniknąć niektórych zagrożeń szczałkowych. Są nimi:

- Uszkodzenie słuchu.
- Ryzyko szkód osobowych spowodowane latającymi cząstkami

## UTRZYMANIE I KONSERWACJA

Przed przystąpieniem do jakichkolwiek prac na elektronarzędziu należy wyjąć wkładkę akumulatorową.

W celu uniknięcia obrażeń lub szkód nigdy nie należy zanurzać narzędzia, wymiennej baterii ani ładowarki w cieczy ani nie dopuszczać, aby ciecz przeniknęła do ich wnętrza.

Otwory wentylacyjne elektronarzędzia muszą być zawsze drożne. Roboty konserwacyjne i roboty naprawcze mogą być wykonywane wyłącznie przez autoryzowane warsztaty specjalistyczne.

Używać tylko i wyłącznie wyposażenia dodatkowego Milwaukee i części zamiennych Milwaukee. Gdyby trzeba było wymienić części, które nie zostały opisane, należy skontaktować się z przedstawicielem serwisu Milwaukee (patrz wykaz adresów punktów usługowych/gwarancyjnych).

Na życzenie można otrzymać rysunek widoku zespołu rozebranego. Przy zamawianiu należy podać numer oraz typ elektronarzędzia umieszczony na tabliczce znamionowej. Zamówienia można dokonać albo u lokalnych przedstawicieli serwisu, albo bezpośrednio w Techtronic Industries GmbH, Max-Eyth-Straße 10, 71364 Winnenden, Germany.

## BATERIE AKUMULATOROWE

W temperaturze powyżej 50°C następuje spadek osiągniętych wkładki akumulatorowej. Unikaj długotrwałego wystawienia na oddziaływanie ciepła lub promieni słonecznych (niebezpieczeństwo przegrzania).

Styki ładowarek i wkładek akumulatorowych należy utrzymywać w czystości

Dla zapewnienia optymalnej żywotności akumulatory po użyciu należy naładować do pełnej pojemności. Akumulatory, które nie były przez dłuższy czas użytkowane, należy przed użyciem naładować.

Dla zapewnienia możliwie długiej żywotności akumulatory należy wyjąć z ładowarki po ich naładowaniu.

W przypadku składowania akumulatorów dłużej aniżeli 30 dni, Przechowywać je w suchym miejscu w temperaturze ok. 27°C., Przechowywać je w stanie naładowanym do ok. 30% - 50%, ładować je ponownie co 6 miesięcy.

Zużytych akumulatorów nie wolno wrzucać do ognia ani traktować jako odpadów domowych. Milwaukee oferuje ekologiczną utylizację zużytych akumulatorów.

Nie przechowywać akumulatorów wraz z przedmiotami metalowymi (niebezpieczeństwo zwarcia).

## TRANSPORT AKUMULATORÓW LITOWO-JONOWYCH

Akumulatory litowo-jonowe podlegają ustawowym przepisom dotyczącym transportu towarów niebezpiecznych.

Transport tych akumulatorów winien odbywać się przy przestrzeganiu lokalnych, krajowych i międzynarodowych rozporządzeń i przepisów.

Odbiorcom nie wolno transportować tych akumulatorów po drogach ot tak po prostu.

Komercyjny transport akumulatorów litowo-jonowych przez przedsiębiorstwa spedycyjne podlega przepisom dotyczącym transportu towarów niebezpiecznych. Przygotowania do wysyłki oraz transport mogą być wykonywane wyłącznie przez odpowiednio przeszkolone osoby. Cały proces winien odbywać się pod fachowym nadzorem.

W czasie transportu akumulatorów należy przestrzegać następujących punktów:

Celem uniknięcia zwarcia należy upewnić się, że zestyki są zabezpieczone i zaizolowane. Zwracać uwagę na to, aby zespół akumulatorów nie mógł się przemieszczać we wnętrzu opakowania. Nie wolno transportować akumulatorów uszkodzonych lub z wyciekającym z elektrolitem. Odnosnie dalszych wskazań należy zwrócić się do swojego przedsiębiorstwa spedycyjnego.



## DEKLARACJA ZGODNOŚCI CE

Oświadczamy na naszą wyłączną odpowiedzialność, że produkt opisany pod „Dane techniczne” spełnia wszystkie istotne przepisy dyrektywy

2011/65/UE RoHS

2006/42/WE

2014/30/UE

i zastosowano następujące zharmonizowane normy

EN 62841-1:2015

EN 55014-1:2017

EN 55014-2:2015

EN 50581:2012



Winnenden, 2018-02-20

Alexander Krug / Managing Director  
Upelnomocniony do zestawienia danych technicznych  
Techtronic Industries GmbH  
Max-Eyth-Straße 10, 71364 Winnenden, Germany

## SYMBOLE



Przed uruchomieniem elektronarzędzia zapoznać się uważnie z treścią instrukcji.



Nosić rękawice ochronne!



Podczas pracy należy zawsze nosić okulary ochronne.



Ryzyko porażenia prądem elektrycznym



UWAGA! OSTRZEŻENIE NIEBEZPIECZEŃSTWO!



Przed przystąpieniem do jakichkolwiek prac na elektronarzędziu należy wyjąć wkładkę akumulatorową.



Wyposażenie dodatkowe dostępne osobno.



Urządzenia elektryczne, baterie/akumulatory nie mogą być usuwane razem z odpadami pochodzącymi z gospodarstw domowych. Urządzenia elektryczne i akumulatory należy gromadzić oddzielnie i w celu usuwania ich do odpadów zgodnie z wymaganiami środowiska naturalnego oddawać do przedsiębiorstwa utylizacyjnego. Proszę zasięgnąć informacji o centrach recyklingowych i punktach zbiorczych u władz lokalnych lub u wyspecjalizowanego dostawcy.

**V** Napięcie V~

 Prąd stały



Znak CE



Znak zgodności UkrSEPRO



Znak zgodności EurAsian



Pol



MŰSZAKI ADATOK SZEGECSELO SZERSZÁM	M12 BPRT
Gyártási szám	4670 73 01... ... 000001-999999
Akkumulátor feszültség	12 V
Pofaátmérő max.	4,8 mm
Szerszám lökethossza	20,3 mm
Húzóerő	9000 N
Szegecsméret Ø	
fekete	4,8 mm
barna	4,0 mm
Vörös	3,2 mm
Zöld	2,4 mm
Szegecs anyaga	aluminium réz Acél Nemesfém
Súly a 01/2003 EPTA-eljárás szerint (Li-Ion 2,0 Ah)	2,1 kg
Üzemeléshez ajánlott környezeti hőmérséklet	-18°C ... +50°C
Ajánlott akkusomagok	M12B...
Ajánlott töltőkészülékek	C12C M12C4 M12-18 ...
<b>Zajinformáció</b>	
A közölt értékek megfelelnek az EN 62841 szabványnak. A készülék munkahelyi zajszintje tipikusan:	
Hangnyomás szint (K bizonytalanság=3dB(A))	53,1 dB(A)
Hangteljesítmény szint (K bizonytalanság=3dB(A))	64,1 dB(A)
<b>Hallásvédő eszköz használata ajánlott!</b>	
<b>Vibráció-információk</b>	
Összesített rezgésértékek (három irány vektorális összeg az EN 62841-nek megfelelően meghatározva.	
rezgésemisszió értéka <sub>h</sub>	0,1 m/s <sup>2</sup>
K bizonytalanság	1,5 m/s <sup>2</sup>

## FIGYELMEZTETÉS!

A jelen utasításokban megadott rezgésintéértékek az EN 62841-ben szabályozott mérési eljárásnak megfelelően került leírásra, és használható elektromos szerszámokkal történő összehasonlításhoz.

Az érték alkalmas a rezgésterhelés előzetes megbecsülésére is. A megadott rezgésintéérték az elektromos szerszám legfőbb alkalmazásait reprezentálja. Ha az elektromos szerszámot azonban más alkalmazásokhoz, eltérő használt szerszámokkal vagy nem elegendő karbantartással használják, a rezgésintéérték eltérő lehet. Ez jelentősen megnövelheti a rezgésterhelést a munkavégzés teljes időtartama alatt.

A rezgésterhelés pontos megbecsüléséhez azokat az időket is figyelembe kell venni, melyekben a készülék lekapcsolódik, vagy ugyan működik, azonban ténylegesen nincs használatban. Ez jelentősen csökkentheti a rezgésterhelést a munkavégzés teljes időtartama alatt.

Határozzon meg további biztonsági intézkedéseket a kezelő védelmére a rezgések hatása ellen, például: az elektromos és a használt szerszámok karbantartásával, a kezek melegen tartásával, a munkafolyamatok megszervezésével.

**FIGYELMEZTETÉS** Olvasson el minden, a géppel együtt megkapott biztonsági utalást, utasítást, ábrázolást és adatot. A következőkben leírt előírások betartásának elmulasztása áramütésekhez, tűzhöz és/vagy súlyos testi sérülésekhez vezethet. **Kérjük a későbbi használatra gondosan őrizze meg ezeket az előírásokat.**

## FIGYELMEZTETÉSEI

**A készüléket a szigetelt markolatfelületeket fogva tartsa, ha olyan munkálatokat végez, melyeknél a vágószerszám rejtett elektromos vezetékbe.** A vágószerszám feszültségvezető vezetékkel való érintkezésekor a készülék fém részei is feszültség alá kerülhetnek, és elektromos áramütés következhet be.

**Használjon védőfelszerelést!** Javasoljuk a védőruházat, úgymint porvédő maszk, védőcipő, erős és csúszásbiztos lábbeli, sisak és hallásvédő használatát.

A sérüléseket azonnal javíttassa meg arra jogosult szakműhelyben. Karbantartás, javítás, tisztítás, stb. előtt az akkumulátort ki kell venni a készülékből.

A sérülés és károsodás elkerülése érdekében a szerszámot, a cserélhető akkumulátort és a töltőt soha ne merítse folyadékba, és ne engedje folyadék behatolását ezekbe.

Az M12 elnevezésű rendszerhez tartozó akkumulátorokat kizárólag a rendszerhez tartozó töltővel töltsen fel. Ne használjon más rendszerbe tartozó töltőt.

Az akkumulátort, töltőt nem szabad megbontani és kizárólag száraz helyen szabad tárolni. Nedvességtől óvni kell.

A rövidzárlat általi tűz, sérülések vagy termékkárosodások veszélye elkerülésére ne merítse a szerszámot, a cserélhető akkut vagy a töltőkészüléket folyadékba, és gondoskodjon arról, hogy ne hatoljanak folyadékok a készülékekbe és az akkukba. A korrozív hatású vagy vezetőképes folyadékok, mint pl. a sós víz, bizonyos vegyi anyagok, fehéritők vagy fehéritő tartalmú termékek, rövidzárlatot okozhatnak.

## RENDELTESSZERŰ HASZNÁLAT

A popszegecselő szerszám professzionális popszegecs-beültetési célokra készült.

## FENNMARADÓ VESZÉLYEK

A hatályos biztonsági előírások betartása és a biztonsági eszközök használata ellenére egyes maradék-kockázatok nem kerülhetők el. Ezek a következők:

- Halláskárosodás.
- Személyi sérülés kockázata szálló részecskék miatt



## KARBANTARTÁS

Karbantartás, javítás, tisztítás, stb. előtt az akkumulátort ki kell venni a készülékből.

A sérülés és károsodás elkerülése érdekében a szerszámot, a cserélhető akkumulátort és a töltőt soha ne merítse folyadékba, és ne engedje folyadék behatolását ezekbe.

A készülék szellőzőnyílásait mindig tisztán kell tartani.

Karbantartási és javítási munkálatokat csak arra jogosult szakműhely végezhet.

Csak Milwaukee tartozékokat és Milwaukee pótalkatrészeket szabad használni. Az olyan elemeket, melyek cseréje nincs ismertetve, cseréltesse ki Milwaukee szervizzel (lásd Garancia/Ügyfélszolgálat címei kiadványt).

Szükség esetén a készülékek robbantott ábráját - a készülék típusa és azonosító száma alapján a területileg illetékes Milwaukee márkaszerviztől vagy közvetlenül a gyártótól (Techtronic Industries GmbH, Max-Eyth-Straße 10, 71364 Winnenden, Germany) lehet kérni.

## AKKUK

50°C feletti hőmérsékletnél csökkenhet az akkumulátor teljesítménye. Kerülni kell a túlzottan meleg helyen vagy napon történő hosszabb idejű tárolást.

A töltő és az akkumulátor csatlakozóit mindig tisztán kell tartani.

Az optimális élettartam érdekében használat után az akkukat teljesen fel kell tölteni. A hosszabb ideig üzemben kívül lévő akkumulátort használat előtt ismételen fel kell tölteni.

A lehetőleg hosszú élettartamhoz az akkukat feltöltés után ki kell venni a töltőkészülékből.

Az akku 30 napot meghaladó tárolása esetén; Az akkut kb. 27 °C-on, száraz helyen kell tárolni., Az akkut kb. 30-50%-os töltöttségi állapotban kell tárolni., Az akkut 6 havonta újra fel kell tölteni.

A használt akkumulátort ne dobja tűzbe vagy a háztartási szemétkébe. Tájékozódjon a szakszerű megsemmisítés helyi lehetőségeiről.

Az akkumulátort ne tárolja együtt fém tárgyakkal. (Rövidzárlat veszélye).

## LÍTIUM-ION AKKUK SZÁLLÍTÁSA

A lítium-ion akkuk veszélyes áruk szállítására vonatkozó törvényi rendelkezések hatálya alá tartoznak.

Az ilyen akkuk szállításának a helyi, országos és nemzetközi előírások és rendelkezések betartása mellett kell történnie.

A fogyasztók minden további nélkül szállíthatják az ilyen akkukat közúton.

A lítium-ion akkuk szállítmányozási vállalatok általi kereskedelmi célú szállítására a veszélyes áruk szállítására vonatkozó rendelkezések érvényesek. A kiszállítás előkészítését és a szállítást kizárólag megfelelő képzettségű személyek végezhetik. A teljes folyamatnak szakmai felügyelet alatt kell történnie.

A következő pontokat kell figyelembe venni akkuk szállításakor:

Biztosítsa, hogy a rövidzárlatok elkerülése érdekében az érintkezők védve és szigetelve legyenek. Ügyeljen arra, hogy az akkucsomag ne tudjon elcsúszni a csomagoláson belül. Tilos sérült vagy kifolyt akkukat szállítani. További útmutatásokért forduljon szállítmányozási vállalatához.

## CE-AZONOSSÁGI NYILATKOZAT

Kizárólagos felelősségünk alapján kijelentjük, hogy a „Műszaki adatok” fejezetben leírt termék megfelel a irányelvek összes vonatkozó rendelkezésének

2011/65/EU RoHS  
2006/42/EK  
2014/30/EU  
harmonizált szabvány és a  
EN 62841-1:2015  
EN 55014-1:2017  
EN 55014-2:2015  
EN 50581:2012



Winnenden, 2018-02-20

Alexander Krug / Managing Director  
Műszaki dokumentáció összeállításra felhatalmazva  
Techtronic Industries GmbH  
Max-Eyth-Straße 10, 71364 Winnenden, Germany



## SZIMBÓLUMOK



Kérjük alaposan olvassa el a tájékoztatót mielőtt a gépet használja.



Hordjon védőkesztyűt!



Munkavégzés közben ajánlatos védőszemüveget viselni.



Áramütés veszélye áll fenn



FIGYELEM! FIGYELMEZTETÉSI VESZÉLY!



Karbantartás, javítás, tisztítás, stb. előtt az akkumulátort ki kell venni a készülékből.




Azokat a tartozékokat, amelyek gyárilag nincsenek a készülékhez mellékelve, külön lehet megrendelni.



Az elektromos eszközöket, elemeket/akkukat nem szabad a háztartási hulladékkal együtt ártalmatlanítani. Az elektromos eszközöket és akkukat szelektíven kell gyűjteni, és azokat környezetbarát ártalmatlanítás céljából hulladék-hasznosító üzemben kell leadni. A helyi hatóságoknál vagy szakkereskedőjénél tájékozódjon a hulladékudvarokról és gyűjtőhelyekről.

**V** Volt AC

 Egyenáram



CE-jelölés



UkrSEPRO megfelelőségi jelzés.



Eurázsiai megfelelőségi jelzés.



TEHNIČNI PODATKI ORODJE ZA KOVIČENJE	M12 BPRT
Proizvodna številka	4670 73 01... ... 000001-999999
Napetost izmenljivega akumulatorja	12 V
Premer izdeljst maks.	4,8 mm
Dolžina hoda orodja	20,3 mm
Vlečna sila	9000 N
Velikost kovice Ø	
Črno	4,8 mm
Rjava	4,0 mm
Rdeča	3,2 mm
Zelena	2,4 mm
Material kovice	Aluminij Baker Jeklo Legirano jeklo
Teža po EPTA-proceduri 01/2003 (Li-Ion 2,0 Ah)	2,1 kg
Priporočena temperatura okolice za obratovanje	-18°C ... +50°C
Priporočeni kompleti akumulatorjev	M12B...
Priporočeni polnilniki	C12C M12C4 M12-18 ...
<b>Informacije o hrupnosti</b>	
Vrednosti merjenja ugotovljene ustrezno z EN 62841. Raven hrupnosti naprave ovrednotena z A, znaša tipično:	
Nivo zvočnega tlaka (Nevarnost K=3dB(A))	53,1 dB(A)
Višina zvočnega tlaka (Nevarnost K=3dB(A))	64,1 dB(A)
<b>Nosite zaščito za sluh!</b>	
<b>Informacije o vibracijah</b>	
Skupna vibracijska vrednost (Vektorska vsota treh smerdoločena ustrezno EN 62841.	
Vibracijska vrednost emisija <sub>h</sub>	0,1 m/s <sup>2</sup>
Nevarnost K=	1,5 m/s <sup>2</sup>



Slo

## ⚠ VARNOSTNA OPOZORILA ZA ORODJE ZA KOVIČENJE

**Kadar izvajate dela pri katerih lahko orodje zadane prikrito električno napeljavo, je napravo potrebno držati za izolirane prijemalne površine.** Stik rezalnega orodja z napetostnim vodnikom napeljave lahko privede kovinske dele naprave pod napetost in vodi do električnega udara.

**Uporabite zaščitno opremo.** Priporočajo se zaščitna oblačila, kot npr. maska za zaščito proti prahu, zaščitne rokavice, trdno in neдресе obuvalo, čelada in zaščita za sluh.

Poškodbe dajte takoj popraviti v avtoriziranemu strokovnemu obratu.

Pred vsemi deli na stroji odstranite izmenljivi akumulator.

Za preprečevanje telesnih poškodb ali škode orodja, nadomestnega akumulatorja ali polnilnika nikoli ne potaplajte v tekočino ali dovolite, da tekočina vstopi vanje.

Izmenljive akumulatorje sistema M12 polnite samo s polniliimi aparati sistema M12. Ne polnite nobenih akumulatorjev iz drugih sistemov.

Izmenljivih akumulatorjev in polnilnih aparatov ne odpirajte in jih hranite samo v suhih prostorih. Zaščitite jih pred mokroto.

V izogib, s kratkim stikom povzročene nevarnosti požara, poškodb ali okvar na proizvodu, orodja, izmenljivega akumulatorja ali polnilne naprave ne potaplajte v tekočine in poskrbite, da ne bo prihajalo do vdora tekočin v naprave in akumulatorje. Korozivne ali prevodne tekočine, kot so slana voda, določene kemikalije in belila ali proizvodi, ki le ta vsebujejo, lahko povzročijo kratek stik.

## UPORABA V SKLADU Z NAMEMBNOSTJO

To električno orodje za slepo kovičenje je določeno za profesionalno slepo kovičenje.

## PREOSTALE NEVARNOSTI

Kljub upoštevanju veljavnih varnostnih predpisov in uporabi zaščitnih priprav se določenim tveganjem ni mogoče izogniti. Ta so:

- Okvara sluha.
- Nevarnost telesnih poškodb zaradi letečih delcev.

## VZDRŽEVANJE

Pred vsemi deli na stroji odstranite izmenljivi akumulator.

Za preprečevanje telesnih poškodb ali škode orodja, nadomestnega akumulatorja ali polnilnika nikoli ne potaplajte v tekočino ali dovolite, da tekočina vstopi vanje.

Pazite na to, da so prezračevalne reže stroja vedno čiste.

Vzdrževalna dela in popravila se lahko izvajajo zgolj s strani avtoriziranega strokovnega obrata.

Uporabljajte samo Milwaukee pribor in Milwaukee nadomestne dele. Poskrbite, da sestavne dele, katerih zamenjava ni opisana, zamenjajo v Milwaukee servisni službi (upoštevajte brošuro Garancija aslovi servisnih služb).

Po potrebi se lahko pri vaši servisni službi ali direktno pri Techtronic Industries GmbH naroči eksplozijska risba naprave ob navedbi tipa stroja in številke s tipske ploščice Techtronic Industries GmbH, Max-Eyth-Straße 10, 71364 Winnenden, Germany.

## OPOZORILO!

V teh navodilih navedena raven treslajev je bila izmerjena po EN 62841 normiranem merilnem postopku in lahko služi medsebojni primerjavi električnih orodij. Prav tako je primeren za predhodno oceno obremenitve s treslaji.

Navedena raven treslajev navaja najpomembnejše vrste rabe električnega orodja. Kadar se električno orodje uporablja za drugačne namene, z odstopajočimi orodji ali pa z nezadostnim vzdrževanjem, lahko raven treslajev tudi odstopa. Le to lahko čez celoten delovni čas znatno zviša obremenitev s tresenjem.

Za natančno oceno obremenitve s treslaji naj bi se upošteval tudi čas v katerem je naprava izklopljena ali sicer teče, vendar dejansko ni v rabi. Le to lahko obremenitev s treslaji čez celoten delovni čas znatno zmanjša.

Za zaščito upravljalca pred učinkom treslajev uvedite dodatne zaščitne ukrepe npr.: Vzdrževanje električnega orodja in orodja, delo s toplimi rokami, organizacija delovnih potekov.

**⚠ OPOZORILO Preberite vse varnostne napotke, navodila, prikaze in podatke, ki ste jih prejeli skupaj z napravo.** Napake zaradi neupoštevanja spodaj navedenih opozoril in napotil lahko povzročijo električni udar, požar in/ali težke telesne poškodbe.

**Vsa opozorila in napotila shranite, ker jih boste v prihodnje še potrebovali.**

Slovensko

## AKUMULATORJI

Temperatura nad 50°C zmanjšuje zmogljivost izmenljivega akumulatorja. Izogibajte se daljšemu segrevanju zaradi sončnih žarkov ali gretja.

Pazite, da ostanejo priključni kontakti na polnilnem aparatu in izmenljivem akumulatorju čisti.

za optimalno življenjsko dobo je potrebno akumulatorje po uporabi do konca napolniti. Izmenljive akumulatorje, ki jih daljši čas niste uporabljali, pred uporabo naknadno napolnite.

Za čim daljšo življenjsko dobo naj se akumulatorji po napolnitvi vzamejo ven iz naprave za polnjenje.

Pri skladiščenju akumulatorjev dalj kot 30 dni., Akumulator skladiščiti pri 27°C in na suhem., Akumulator skladiščiti pri 30%-50% stanja polnjenja., Akumulator spet napolniti vsakih 6 mesecev.

Izrabljenih izmenljivih akumulatorjev ne mečite v ogenj ali v gospodinske odpadke. Milwaukee nudi okolju prijazno odlaganje starih izmenljivih akumulatorjev; prosimo povprašajte vašega strokovnega trgovca.

Izmenljivih akumulatorjev ne hranite skupaj s kovinskimi predmeti (nevarnost kratkega stika).

## TRANSPORT LITIJ-IONSКИH AKUMULATORJEV

Litij-ionski akumulatorji so podvrženi zakonskim določbam transporta nevarnih snovi.

Transport teh akumulatorjev se mora izvajati upoštevajoč lokalne, nacionalne in mednarodne predpise in določbe.

Potrošniki lahko te akumulatorje še nadalje transportirajo po cesti.

Komercialni transport litij-ionskih akumulatorjev s strani špediterskih podjetij je podvržen določbam transporta nevarnih snovi. Priprava odpreme in transporta se lahko vrši izključno s strani ustrezno izšolanih oseb. Celoten proces je potrebno strokovno spremljati.

Pri transportu akumulatorjev je potrebno upoštevati sledeče točke:

V izogib kratkim stikom zagotovite, da bodo kontakti zaščiteni in izolirani. Bodite pozorni na to, da paket akumulatorja v notranjosti embalaže ne bo mogel zdrsniti. Poškodovanih ali iztekajočih akumulatorjev ni dovoljeno transportirati. Za nadaljnja navodila se obrnite na vaše špeditersko podjetje.

## CE-IZJAVA O KONFORMNOSTI

S polno odgovornostjo izjavljamo, da izdelek, opisan pod „Tehnični podatki“ izpolnjuje vse ustrezne določbe direktiv

2011/65/EU RoHS

2006/42/ES

2014/30/EU

ter da so bili uporabljeni naslednji harmonizirani standardi

EN 62841-1:2015

EN 55014-1:2017

EN 55014-2:2015

EN 50581:2012



Winnenden, 2018-02-20

Alexander Krug / Managing Director

Pooblaščen za izdelavo spisov tehnične dokumentacije.

Techtronic Industries GmbH

Max-Eyth-Straße 10, 71364 Winnenden, Germany

## SIMBOLI



Prosimo, da pred uporabo pozorno preberete to navodilo za uporabo.



Nositi zaščitne rokavice



Pri delu s strojem vedno nosite zaščitna očala.



Nevarnost električnega udara



POZOR! OPOZORILO! NEVARNO!



Pred vsemi deli na stroji odstranite izmenljivi akumulator.



Oprema – ni vsebovana v obsegu dobave, priporočeno dopolnilo iz programa opreme.



Električnih naprav, baterij/akumulatorjev ni dovoljeno odstranjevati skupaj z gospodinjstvi odpadki. Električne naprave in akumulatorje je potrebno zbirati ločeno in za okolju prijazno odstranitev, oddati podjetju za reciklažo. Pri krajevnem uradu ali vašem strokovnem prodajalcu se pozanimajte glede reciklažnih dvorišč in zbirnih mest.



Napetost



Enosmerni tok



CE-znak



UkrSEPRO oznaka o skladnosti.



EurAsian oznaka o skladnosti.



Slo

**Hrv**

TEHNIČKI PODACI UREĐAJ ZA ZAKIVANJE	M12 BPRT
Broj proizvodnje	4670 73 01... ... 000001-999999
Napon baterije za zamjenu	12 V
Promjer stezaljki max.	4,8 mm
Duljina hoda alata	20,3 mm
Vučna sila	9000 N
Veličina zakovica Ø	
crna	4,8 mm
smeđ	4,0 mm
Crveno	3,2 mm
Zelono	2,4 mm
Materijal zakovica	Aluminij Bakar Čelik Plemeniti čelik
Težina po EPTA-proceduri 01/2003 (Li-Ion 2,0 Ah)	2,1 kg
Preporučena temperatura okoline za pogon	-18°C ... +50°C
Preporučeni akumulatorski paket	M12B...
Preporučeni punjači	C12C M12C4 M12-18 ...
<b>Informacije o buci</b>	
Mjerne vrijednosti utvrđene odgovarajuće EN 62841. A-ocijenjeni nivo buke aparata iznosi tipično:	
Nivo pritiska zvuka (Nesigurnost K=3dB(A))	53,1 dB(A)
Nivo učinka zvuka (Nesigurnost K=3dB(A))	64,1 dB(A)
<b>Nositi zaštitu sluha!</b>	
<b>Informacije o vibracijama</b>	
Ukupne vrijednosti vibracije (Vektor suma tri smjersu odmerjene odgovarajuće EN 62841	
Vrijednost emisije vibracije <sub>h</sub>	0,1 m/s <sup>2</sup>
Nesigurnost K=	1,5 m/s <sup>2</sup>

**UPOZORENIE!**

Ova u ovim uputama navedena razina titranja je bila izmjerena odgovarajuće jednom u EN 62841 normiranom mjernom postupku i može se upotrijebiti za usporedbu električnog alata međusobno. Ona je prikladna i za privremenu procjenu titrajnog opterećenja.

Navedena razina titranja reprezentira glavne primjene električnog alata. Ukoliko se električni alat upotrebljava u druge svrhe sa odstupajućim primijenjenim alatima ili nedovoljnim održavanjem, onda razina titranja može odstupati. To može titrajno opterećenje kroz cijeli period rada bitno povisiti.

Za točnu procjenu titrajnog opterećenja se moraju uzeti u obzir i vremena u kojima je uređaj isključen ili u kojima doduše radi, ali nije i stvarno u upotrebi. To može titrajno opterećenje bitno smanjiti za vrijeme cijelog radnog perioda.

Utvrđite dodatne sigurnosne mjere za zaštitu poslušioaca protiv djelovanja titranja kao npr.: Održavanje električnih alata i upotrebjenih alata, održavanje topline ruku, organizacija i radne postupke.

**⚠ UPOZORENIE Pročitajte sve sigurnosne upute, napomene, prikaze i podatke koje dobijete uz uređaj.** Ako se ne bi poštile napomene o sigurnosti i upute to bi moglo uzrokovati strujni udar, požar i/ili teške ozljede.

**Sačuvajte sve napomene o sigurnosti i upute za buduću primjenu.**

**⚠ SIGURNOSNA UPOZORENJA ZA KORIŠTENJE UREĐAJA ZA ZAKIVANJE**

**Držite spravu na izoliranim držaćkim površinama kada izvodite radove kod kojih rezački alat može pogoditi skrivene vodove struje.** Kontakt rezačkog alata sa vodovima koji sprovedu naponom može metalne dijelove sprave dovesti pod napon i tako dovesti do električnog udara.

**Upotrebljavati zaštitnu opremu.** Preporučuje se zaštitna odjeća, kao zaštitna maska protiv prašine, zaštitne rukavice, čvrste i protiv klizanja sigurne cipele, šljem i zaštitu sluha.

Oštećenje odmah dati na popravak autoriziranoj stručnoj radionici. Prije svih radova na stroju izvaditi bateriju za zamjenu.

Kako biste izbjegli ozljede, nikada ne uranjajte alatku, zamjensku bateriju ili punjač u tekućinu odnosno na dozvolite da tekućina dospije u njih.

Baterije sistema M12 puniti samo sa uređajem za punjenje sistema M12. Ne puniti baterije iz drugih sistema.

Baterije za zamjenu i uređaje za punjenje ne otvarati i čuvati ih samo u suhim prostorijama. Čuvati protiv vlage.

Zbog izbjegavanja opasnosti od požara jednim kratkim spojem, opasnosti od ozljeda ili oštećenja proizvoda, alat, izmjenjivi akumulator ili napravu za punjenje ne uronjavati u tekućine i pobrinite se za to, da u uređaje ili akumulator ne prodiru nikakve tekućine. Korozirajuće ili vodljive tekućine kao slana voda, određene kemikalije i sredstva za bijeljenje ili proozvodi koji sadrže sredstva bijeljenja, mogu prouzročiti kratak spoj.

**PROPIISNA UPOTREBA**

Ovaj uređaj za slijepe zakivanje namijenjen je profesionalnom postavljanju slijepih zakovica.

**PREOSTALE OPASNOSTI**

Iako su primijenjene sve relevantne sigurnosne odredbe i implementirani sigurnosni uređaji, neki popratni rizici se ne mogu izbjeći. To su:

- Oštećenje sluha.
- Opasnost od osobnih ozljeda česticama u letu

**ODRŽAVANJE**

Prije svih radova na stroju izvaditi bateriju za zamjenu.

Kako biste izbjegli ozljede, nikada ne uranjajte alatku, zamjensku bateriju ili punjač u tekućinu odnosno na dozvolite da tekućina dospije u njih.

Preoreze za prozračivanje stroja uvijek držati čistima.

Radove održavanja i popravke smiju izvoditi samo autorizirane stručne radionice.

Primijeniti samo Milwaukee opremu i Milwaukee rezervne dijelove. Sastavne dijelove, čija zamjena nije opisana, dati zamijeniti kod jedne od Milwaukee servisnih službi (poštivati brošuru Garancija/ Adrese servisa).

Po potrebi se može zatražiti crež eksplozije aparata uz davanje podataka o tipu stroja i desetoznamenkastog broja na pločici snage kod Vaše servisne službe ili direktno kod Techtronic Industries GmbH, Max-Eyth-Straße 10, 71364 Winnenden, Germany.

**BATERIJE**

Temperatura od preko 50°C smanjuje učinak baterija. Duže zagrijavanje od strane sunca ili grljanja izbjeći.

Priključne kontakte na uređaju za punjenje i baterijama držati čistima.

Za optimalni vijek trajanja se akumulatori poslije upotrebe moraju sasvim napuniti. Baterije koje duže vremena nisu korištene, prije upotrebe napuniti.

Za što moguće duži vijek trajanja, akumulatori se nakon punjenja moraju odstraniti iz punjača.

Kod skladištenja akumulatora duže od 30 dana; Akumulator skladištiti na suhom kod ca. 27°C., Akumulator skladištiti kod ca. 30%-50% stanja punjenja., Akumulator ponovno napuniti svakih 6 mjeseci.

Istrošene baterije za zamjenu ne baciti u vatru ili u kućno smeće. Milwaukee nudi mogućnost uklanjanja starih baterija odgovarajuće okolini. Milwaukee nudi mogućnost uklanjanja starih baterija odgovarajuće okolini; upitajte molimo Vašeg stručnog trgovca.

Baterije za zamjenu ne čuvati skupa sa metalnim predmetima (opasnost od kratkog spoja).

### TRANSPORT LITIJSKIH IONSKIH BATERIJA

Litijske-ionske baterije spadaju pod zakonske odredbe u svezi transporta opasne robe.

Prijevoz ovih baterija mora uslijediti uz poštivanje lokalnih, nacionalnih i internacionalnih propisa i odredaba.

Korisnici mogu bez ustručavanja ove baterije transportirati po cestama.

Komercijalni transport litijsko-ionskih baterija od strane transportnih poduzeća spada pod odredbe o transportu opasne robe. Otpremničke pripreme i transport smiju izvoditi isključivo odgovarajuće školovane osobe. Kompletni proces se mora pratiti na stručan način.

Kod transporta baterija se moraju poštivati sljedeće točke:

Uvjerite se da su kontakti zaštićeni i izolirani kako bi se izbjegli kratki spojevi. Pazite na to, da blok baterija unutar pakiranja ne može proklizavati. Oštećene ili iscurjele baterije se ne smiju transportirati. U svezi ostalih uputa obratite se vašem prijevoznom poduzeću.

### CE-IZJAVA KONFORMNOSTI

Izjavljujemo pod vlastitom odgovornošću da proizvod opisan u odjeljku „Tehnički podaci“ ispunjava sve potrebne odredbe smjernica

2011/65/EU RoHS

2006/42/EC

2014/30/EU

i da su korišteni sljedeći usklađeni standardi

EN 62841-1:2015

EN 55014-1:2017

EN 55014-2:2015

EN 50581:2012



Winnenden, 2018-02-20

Alexander Krug / Managing Director

Ovlašten za formiranje tehničke dokumentacije.

Techtronic Industries GmbH

Max-Eyth-Straße 10, 71364 Winnenden, Germany

### SIMBOLI



Molimo da pažljivo pročitate uputu o upotrebi prije puštanja u rad.



Nositi zaštitne rukavice!



Kod radova na stroju uvijek nositi zaštitne naočale.



Opasnost od strujnog udara



PAŽNJA! UPOZORENJE! OPASNOST!



Prije svih radova na stroju izvaditi bateriju za zamjenu.



Oprema - u opsegu isporuke nije sadržana, preporučena dopuna iz promograma opreme.



Elektrouredaji, baterije/akumulatori se ne smiju zbrinjavati skupa sa kućnim smećem. Električni uređajii akumulatori se moraju skupljati odvojeno i predati na zbrinjavanje primjereno okolišu jednom od pogona za iskorišćavanje. Raspitajte se kod mjesnih vlasti ili kod stručnog trgovca u svezi gospodarstva za recikliranje i mjesta skupljanja.



Napon



Istosmjerna struja



Oznaka-CE



UkrSEPRO znak konformnosti.



EurAsian znak konformnosti.



Hrv

**Lat**

TEHNISKE DATI KNIEDĒTĀJS	M12 BPRT
Izlaides numurs	4670 73 01... ... 000001-999999
Akumulatora spriegums	12 V
Spīļu diametrs maksimālais	4,8 mm
Ierīces gājiena garums	20,3 mm
Vilcējspēks	9000 N
Kniedes izmērs Ø	
Melns	4,8 mm
Brūna	4,0 mm
Sarkans	3,2 mm
Zaļš	2,4 mm
Kniedes materiāls	Alumīnijs Varš Tērauds Nerūsojošais tērauds
Svars atbilstoši EPTA - Procedure 01/2003 (Li-Ion 2,0 Ah)	2,1 kg
Darbībai ieteicamā apkārtnes temperatūra	-18°C ... +50°C
Ieteicamie akumulatoru komplekti	M12B...
Ieteicamās uzlādes ierīces	C12C M12C4 M12-18 ...
<b>Trokšņu informācija</b>	
Vērtības, kas noteiktas saskaņā ar EN 62841. A novērtētās aparātūras skaņas līmenis ir:	
Trokšņa spiediena līmenis (Nedrošība K=3dB(A))	53,1 dB(A)
Trokšņa jaudas līmenis (Nedrošība K=3dB(A))	64,1 dB(A)
<b>Nēsāt trokšņa slāpētāju!</b>	
<b>Vibrāciju informācija</b>	
Svārstību kopejā vērtība (Trīs virzienu vektoru summtiek noteikta atbilstoši EN 62841.	
svārstību emisijas vērtība <sub>a</sub> Nedrošība K=	0,1 m/s <sup>2</sup> 1,5 m/s <sup>2</sup>

**UZMANĪBU!**

Instrukcijā norādītā svārstību robežvērtība ir izmērīta mērījumu procesā, kas veikts atbilstoši standartam EN 62841, un to var izmantot elektroinstrumentu savstarpējai salīdzināšanai. Tā ir piemērota arī svārstību noslogojuma pagaidu izvērtēšanai. Norādītā svārstību robežvērtība ir reprezentatīva elektroinstrumenta pamata pielietojuma jomām. Tomēr, ja elektroinstrumenti tiek pielietoti citās jomās, papildus izmantojot neatbilstošus elektroinstrumentus vai pēc nepietiekamas tehniskās apkopes, tad svārstību robežvērtība var atšķirties. Tas var ievērojami palielināt svārstību noslogojumu visa darba laikā.

Precīzai svārstību noslogojuma noteikšanai, ir jāņem vērā arī laiks, kad ierīces ir izslēgta vai arī ir ieslēgta, tomēr faktiski netiek lietota. Tas var ievērojami samazināt svārstību noslogojumu visa darba laikā.

Integrējiet papildus drošības pasākumus pret svārstību ietekmi lietotājam, piemēram: elektroinstrumentu un darba instrumentu tehniskā apkope, roku siltuma uzturēšana, darba procesu organizācija.



**UZMANĪBU** Izlasiet visus drošības norādījumus, instrukcijas, attēlus un datus, ko saņemat kopā ar ierīci. Šeit sniegto drošības noteikumu norādījumu neievērošana var izraisīt aizdegšanos un būt par cēloni elektriskajam triecienam vai nopietnam savainojumam.  
**Pēc izlasīšanas uzglabājiet šos noteikumus turpmāki izmantošanai.**

**KNIEDĒTĀJA DROŠĪBAS BRĪDINĀJUMI**

**Lerīci turiet aiz izolētiem rokturiem, ja veicat darbus, kuros griešanas darbiem izmantojamais instruments var skart paslēptus elektrovadus.** Šī instrumenta saskare ar strāvu vadošiem kabeļiem var radīt spriegumu arī ierīces metālistiskajās daļās un var izraisīt elektrisko triecienu.

**Jāizmanto aizsargapriekojums.** Ieteicams nēsāt aizsargapģērbus, kā piemēram, aizsargmasku, aizsargcimdus, kurpes no stingra un neslīdīga materiāla, ķiveri un ausu aizsargus.

Bojājumu rašanās gadījumā nekavējoties nodot rīku labošanai specializētā servisā.

Pirms mašīnai veikt jebkāda veida apkopes darbus, ir jāizņem arī akumulators.

Lai izvairītos no savainojumiem un bojājumiem, instrumentu, akumulatoru vai lādētāju nekad nemērciet ūdenī un neļaujiet tajos iekļūt mitrumam.

M12 sistēmas akumulatorus lādēt tikai ar M12 sistēmas lādētājiem. Nedrīkst lādēt citus akumulatorus no citām sistēmām.

Akumulatorus un lādētājus nedrīkst taisīt vaļā un tie jāuzglabā sausās telpās.

Lai novērstu issavienojuma izraisītu aizdegšanās, savainojumu vai produkta bojājuma risku, neiegremdējiet instrumentu, maināmo akumulatoru vai uzlādes ierīci šķidrums un rūpējieties par to, lai ierīces un akumulatoros neiekļūtu šķidrums. Koroziju izraisa arī vai vadītspējīgi šķidrums, piemēram, sālsūdens, noteiktas ķimikālijas, balinātāji vai produkti, kas satur balinātājus, var izraisīt issavienojumu.

**NOTEIKUMIEM ATBILSTOŠS IZMANTOJUMS**

Šis aklo kniežu ievietošanas elektroinstruments ir paredzēts profesionāliem aklo kniežu lietotājiem.

**PĀRĒJIE RISKI**

Neraugoties uz attiecīgo drošības noteikumu piemērošanu un drošības ierīču ieviešanu, nav iespējams izvairīties no dažiem atlikušajiem riskiem. Šie riski:

- Dzirdes traucējumi.
- Miesas bojājumu risks sakarā ar lidojošām daļiņām



## APKOPE

Pirms mašīnai veikt jebkāda veida apkopes darbus, ir jāizņem ārā akumulators.

Lai izvairītos no savainojumiem un bojājumiem, instrumentu, akumulatoru vai lādētāju nekad nemērciet ūdenī un neļaujiet tajos iekļūt mitrumam.

Vajag vienmēr uzmanīti, lai būtu tīras dzesēšanas atveres.

Apkopes darbus un remontdarbus drīkst veikt tikai autorizēti specializētie servisi.

Izmantojiet tikai firmu Milwaukee piederumus un firmas Milwaukee rezerves daļas. Lieciet nomainīt detaļas, kuru nomaīņa nav aprakstīta, kādā no firmu Milwaukee klientu apkalpošanas servisiem. (Skat. brošūru „Garantija/klientu apkalpošanas serviss“.)

Ja nepieciešams, klientu apkalpošanas servisā vai tieši pie firmas Techtronic Industries GmbH, Max-Eyth-Straße 10, 71364 Winnenden, Germany, var pieprasīt instrumenta numurs, kas norādīts uz jaudas panela.

## AKUMULĀTORI

Pie temperatūras, kas pārsniedz 50°C, akumulatoru darbspēja tiek negatīvi ietekmēta. Vajag izvairīties no ilgākas saules un karstuma iedarbības.

Lādētāja un akumulatoru pievienojuma kontakti jāuztur tīri.

Lai baterijas darba ilgums būtu optimāls, pēc iekārtas izmantošanas tā jāuzlādē. Akumulātori, kas ilgāku laiku nav izmantoti, pirms lietošanas jāuzlādē.

Lai akumulatori kalpotu pēc iespējas ilgāku laiku, tos pēc uzlādes ieteicams atvienot no lādētāj ierīces.

Akumulatora uzglabāšana ilgāk kā 30 dienas; uzglabāt akumulatoru pie aptuveni 27°C un sausā vietā., Uzglabāt akumulatoru uzlādes stāvoklī aptuveni pie 30%-50%., Uzlādēt akumulatoru visus 6 mēnešus no jauna.

Izmantotos akumulārus nedrīkst mest uguni vai parastajos atkritumos. Firma Milwaukee piedāvā iespēju vecos akumulatorus savākt apkārtejo vidi saudzējošā veidā; jautājiet specializētā veikalā.

Akumulatorus nav ieteicams glabāt kopā ar metāla priekšmetiem (iespējams īsslēgums).

## LITĪJA JONU AKUMULATORU TRANSPORTĒŠANA

Uz litija jonu akumulatoriem attiecas noteikumi par bīstamo kravu pārvadāšanu.

Šo akumulatoru transportēšana jāveic saskaņā ar vietējiem, valsts un starptautiskajiem normatīvajiem aktiem un noteikumiem.

Patērētāja darbības, pārvadājot šos akumulatorus pa autoceļiem, nav reglamentētas.

Uz litija jonu akumulatoru komerciālu transportēšanu, ko veic ekspedīcijas uzņēmums, attiecas bīstamo kravu pārvadāšanas noteikumi. Sagatavošanas darbus un transportēšanu drīkst veikt tikai atbilstoši apmācīts personāls. Viss process jāveda profesionāli.

Veicot akumulatoru transportēšanu, jāievēro:

Pārļiecinieties, ka kontakti ir aizsargāti un izolēti, lai izvairītos no īssavienojumiem. Pārļiecinieties, ka akumulators iepakojumā nevar paslidēt. Bojātus vai tekošus akumulatorus nedrīkst transportēt. Plašāku informāciju Jūs varat saņemt no ekspedīcijas uzņēmuma.

## ATBILSTĪBA CE NORMĀM

Mēs ar pilnu atbildību paziņojam, ka izstrādājums, kas raksturots sadaļā „Tehniskie dati“, atbilst visām attiecīgajām prasībām direktīvās

2011/65/ES RoHS

2006/42/EK

2014/30/ES

un ir piemēroti šādi saskaņotie standarti

EN 62841-1:2015

EN 55014-1:2017

EN 55014-2:2015

EN 50581:2012



Winnenden, 2018-02-20

Alexander Krug / Managing Director  
Pilnvarotais tehniskās dokumentācijas sastādīšanā.

Techtronic Industries GmbH  
Max-Eyth-Straße 10, 71364 Winnenden, Germany



## SIMBOLI



Pirms sākt lietot instrumentu, lūdzu, izlasiet lietošanas pamācību.



Jāvalkā aizsargcimdi!



Strādājot ar mašīnu, vienmēr jānēsā aizsargbrilles.



Elektriskā trieciena risks



UZMANĪBU! BĪSTAMI!



Pirms mašīnai veikt jebkāda veida apkopes darbus, ir jāizņem arī akumulators.



Piederumi - standartaprikojumā neietvertās, bet ieteicamās papildus komplektācijas detaļas no piederumu programmas.



Elektriskus aparātus, baterijas/akumulatorus nedrīkst utilizēt kopā ar mājtsaimniecības atkritumiem. Elektriski aparāti un akumulatori ir jāsavāc atsevišķi un jānodod atkritumu pārstrādes uzņēmumā videi saudzīgai utilizācijai. Jautājiet vietējā iestādē vai savam specializētajam tirgotājam, kur atrodas atkritumu pārstrādes uzņēmumi vai savākšanas punkti.

**V** Spriegums

 Līdzstrāva



CE marķējums



TR 066

UkrSEPRO atbilstības marķējums.



EurAsian atbilstības marķējums.



Lat

TECHNINIAI DUOMENYS KNIEDIJIMO ĮRANKIS	M12 BPRT
Produkto numeris	4670 73 01... ... 000001-999999
Keičiamo akumulatoriaus įtampa	12 V
Žiaunų skersmuo maks.	4,8 mm
Įrankio eigos ilgis	20,3 mm
Traukimo jėga	9000 N
Kniedės dydis Ø	
Juoda	4,8 mm
Ruda	4,0 mm
Raudona	3,2 mm
Žalia	2,4 mm
Kniedės medžiaga	Aliuminis Varis Plieną Taurusis plienas
Prietaiso svoris įvertintas pagal EPTA 2003/01 tyrimų metodiką (Li-Ion 2,0 Ah)	2,1 kg
Rekomenduojama aplinkos temperatūra eksploatuojant	-18°C ... +50°C
Rekomenduojami akumulatoriai	M12B...
Rekomenduojami įkrovikliai	C12C M12C4 M12-18 ...
<b>Informacija apie keliamą triukšmą</b>	
Vertės matuotos pagal EN 62841. Įvertintas A įrenginio keliamo triukšmo lygis dažniausiai sudaro:	
Garso slėgio lygis (Paklaida K=3dB(A))	53,1 dB(A)
Garso galios lygis (Paklaida K=3dB(A))	64,1 dB(A)
<b>Nešioti klausos apsauginės priemonės!</b>	
<b>Informacija apie vibraciją</b>	
Bendroji svyravimų reikšmė (trijų krypčių vektorių suma), nustatyta remiantis EN 62841.	
Vibravimų emisijos reikšmė <sub>h</sub>	0,1 m/s <sup>2</sup>
Paklaida K=	1,5 m/s <sup>2</sup>

## DĖMESIO!

Instrukcijoje nurodyta svyravimų ribinė vertė yra išmatuota remiantis standartu EN 62841; ji gali būti naudojama keliems elektriniams instrumentams palyginti. Ji taikoma ir laikinai įvertinti svyravimų aprova.

Nurodyta svyravimų ribinė vertė yra taikoma pagrindinėse elektrinio instrumento naudojimo srityse. Svyravimų ribinė vertė gali skirtis naudojant elektrinį instrumentą kitose srityse, papildomai naudojant netinkamus elektrinius instrumentus arba juos nepakankamai techniškai prižiūrint. Dėl to viso darbo metu gali žymiai padidėti svyravimų aprova.

Siekiant tiksliai nustatyti svyravimų aprova, būtina atsižvelgti ir į laikotarpį, kai įrenginys yra išjungtas arba įjungtas, tačiau faktiškai nenaudojamas. Dėl to viso darbo metu gali žymiai sumažėti svyravimų aprova.

Siekiant apsaugoti vartotojus nuo svyravimo įtakos naudojami papildomos saugos priemonės, pavyzdžiui, elektrinių darbo instrumentų techninė priežiūra, rankų šilumos palaikymas, darbo procesų organizavimas.

**⚠ DĖMESIO Perskaitykite visas saugos nuorodas, instrukcijas, iliustracijas ir duomenis, kuriuos gaunate su prietaisu.** Jei nepaisysite žemiau pateiktų saugos nuorodų ir reikalavimų, gali trenkti elektros smūgis, kilti gaisras ir/arba galite sunkiai susižaloti arba sužaloti kitus asmenis.

**Išsaugokite šias saugos nuorodas ir reikalavimus, kad ir ateityje galėtumėte jais pasinaudoti.**

## ⚠ KNIEDIJIMO ĮRANKIO SAUGOS ĮSPĖJIMAI

**Dirbdami laikykite prietaisą už izoliuotų vietų, kuriose įjovimo įrenginys pats galėtų liesti paslėptus laidus.** Įjovimo įrenginio kontaktas su įtampas laidais gali įelektrinti metalines prietaiso dalis, o tai gali sukelti elektros iškvovą.

**Dėvėkite apsaugines priemones.** Rekomenduotina dėvėti apsaugines priemones: apsaugos nuo dulkių respiratorius, apsaugines pirštines, kietus batus neslidžiais padais, šalną ir klausos apsaugos priemones.

Remontuoti pažeidimus nedelsdami paveskite įgaliotoms dirbtuvėms.

Prieš atlikdami bet kokius darbus įrenginyje, išimkite keičiamą akumulatorių.

Niekada nemerkite įrankio, išimamo akumulatoriaus ar įkroviklio į skystį ir neleiskite skysčiui į juos patekti, kad išvengtumėte sužalojimų ir žalos.

Keičiamus M12 sistemos akumulatorius kraukite tik „M12“ sistemos įkrovikliais. Nekraukite kitų sistemų akumulatorių.

Keičiamų akumulatorių ir įkroviklių nelaikykite atvirai. Laikykite tik sausoje vietoje. Saugokite nuo drėgmės.

Siekdami išvengti trumpojo jungimo sukeliama gaisro pavojaus, sužalojimų arba produkto pažeidimų, neikiškite įrankio, keičiamo akumulatoriaus arba įkroviklio į skysčius ir pasirūpinkite, kad į prietaisus arba akumulatorius nepatektų jokių skysčių. Koroziją sukeliantys arba laidūs skysčiai, pvz., sūrus vanduo, tam tikri chemikalai ir balikliai arba produktai, kurių sudėtyje yra baliklių, gali sukelti trumpąjį jungimą.

## NAUDOJIMAS PAGAL PASKIRTĮ

Šis kniedžių su šerdimi kniedijimo įrankis yra skirtas profesionaliems kniedijimo darbams.

## KITI PAVOJAI

Nepaisant susijusių saugos taisyklių ir saugos įrenginių naudojimą, negalima išvengti tam tikrų liekamųjų rizikų. Tai:

- Klausos pablogėjimas.
- Sužalojimo rizika dėl skriejančių dalelių

## TECHNINIS APTARNAVIMAS

Prieš atlikdami bet kokius darbus įrenginyje, išimkite keičiamą akumulatorių.

Niekada nemerkite įrankio, išimamo akumulatoriaus ar įkroviklio į skystį ir neleiskite skysčiui į juos patekti, kad išvengtumėte sužalojimų ir žalos.

Įrenginio vėdinimo angos visada turi būti švarios.

Techninės priežiūros ir remonto darbus gali atlikti tik įgaliotos specialios dirbtuvės.

Naudokite tik „Milwaukee“ priedus ir „Milwaukee“ atsargines dalis. Dalis, kurių keitimas neaprašytas, leidžiama keisti tik „Milwaukee“ klientų aptarnavimo skyriams (žr. garantiją/klientų aptarnavimo skyrių adresus brošiūroje).

Jei reikia, nurodant įrenginio tipą bei specifikacijų lentelėje esantį numerį, iš klientų aptarnavimo skyriaus arba tiesiai iš Technonic Industries GmbH, Max-Eyth-Strasse 10, 71364 Winnenden, Germany, galima užsisakyti prietaiso surinkimo brošiūnas.



## AKUMULATORIAI

Aukštesnė nei 50°C temperatūra mažina keičiamų akumuliatorių galią. Venkite ilgesnio saulės ar šilumos šaltinių poveikio. Įkroviklio ir keičiamo akumuliatoriaus jungiamieji kontaktai visada turi būti švarūs.

Kad prietaisas kuo ilgiau veiktų, pasinaudoję juo, iki galo įkraukite akumuliatorių. Ilgesnį laiką nenaudotus keičiamus akumuliatorius prieš naudojimą įkraukite.

Siekiant užtikrinti kuo ilgesnį baterijos tarnavimo laiką, reikėtų ją po atlikto įkrovimo iškart išimti iš įkroviklio.

Bateriją laikant ilgiau nei 30 dienų, būtina atkreipti dėmesį į šias nuorodas: bateriją laikyti sausoje aplinkoje, esant apie 27 °C temperatūrai. Baterijos įkrovimo lygis turi būti nuo 30% iki 50%., Baterija pakartotinai turi būti įkraunama kas 6 mėnesius.

Sunaudotų keičiamų akumuliatorių nedeginkite ir nemeskite į buitines atliekas. „Milwaukee“ siūlo tausojantį aplinką sudėvėtų keičiamų akumuliatorių tvarkymą, apie tai prekybos atstovo.

Keičiamų akumuliatorių nelaikykite kartu su metaliniais daiktais (trumpojo jungimo pavojus).



Liet

## LIČIO JONŲ AKUMULIATORIŲ PERVEŽIMAS

Ličio jonų akumuliatoriams taikomos įstatyminės nuostatos dėl pavojingų krovinių pervežimų.

Šiuos akumuliatorius pervežti būtina laikantis vietinių, nacionalinių ir tarptautinių direktyvų ir nuostatų.

Naudotojai šiuos akumuliatorius gali naudoti savo transporte be jokių kitų sąlygų.

Už komercinį ličio jonų akumuliatorių pervežimą atsako ekspedicijos įmonė pagal nuostatas dėl pavojingų krovinių pervežimo. Pasiruošimo išsiųsti ir pervežimo darbus gali atlikti tik atitinkamai išmokyti asmenys. Visas procesas privalo būti prižiūrimas.

Pervežant akumuliatorius būtina laikytis šių punktų:

Siekiant išvengti trumpųjų jungimų, įsitikinkite, kad kontaktai yra apsaugoti ir izoliuoti. Atkreipkite dėmesį, kad akumuliatorius pakuotės viduje neslidinėtų. Draudžiama pervežti pažeistus arba tekančius akumuliatorius. Dėl detalesnių nurodymų kreipkitės į savo ekspedicijos įmonę.

## CE ATITIKTIES PAREIŠKIMAS

Prisimdami visą atsakomybę pareiškiame, kad gaminyje, aprašytas „Techniniuose duomenyse“, atitinka taikomus reikalavimus, išdėstytus direktyvose

2011/65/ES RoHS

2006/42/EB

2014/30/ES

ir buvo taikyti šie darnieji standartai

EN 62841-1:2015

EN 55014-1:2017

EN 55014-2:2015

EN 50581:2012



Winnenden, 2018-02-20

Alexander Krug / Managing Director

Įgaliotas parengti techninius dokumentus.

Techtronic Industries GmbH

Max-Eyth-Straße 10, 71364 Winnenden, Germany

## SIMBOLIAI



Prieš pradėdami dirbti su prietaisu, atidžiai perskaitykite jo naudojimo instrukciją.



Lietojiet aizsardzības cimdus!



Dirbdami su įrenginiu visada nešiokite apsauginius akinius.



Elektros smūgio pavojus



DĖMESIO! ĮSPĖJIMAS! PAVOJUS!



Prieš atlikdami bet kokius darbus įrenginyje, išimkite keičiamą akumuliatorių.



Priedas – neįeina į tiekimo komplektaciją, rekomenduojamas papildymas iš priedų asortimento.



Elektros prietaisų, baterijų/akumuliatorių šalinti kartu su buitinėmis atliekomis negalima. Elektros prietaisus ir akumuliatorius reikia surinkti atskirai ir atiduoti perdirbimo įmonei, kad būtų pašalinti aplinkai saugiu būdu. Vietos valdžios institucijose arba specializuotose prekybos vietose pasidomėkite apie perdirbimo ir surinkimo centrus.

V

Įtampa



Nuolatinė srovė



CE ženklas



TR 066

„UkrSEPRO“ atitikties ženklas.



„EurAsian“ atitikties ženklas.

Lietuviškai

TEHNILISED ANDMED NEETIMISTÖÖRIIST	M12 BPRT
Tootmisnumber	4670 73 01... ... 000001-999999
Vahetatava aku pingeline	12 V
Lõugade läbimõõt max	4,8 mm
Tööriista käigupikkus	20,3 mm
Tõmbejõud	9000 N
Needi suurus Ø	
Must	4,8 mm
Pruun	4,0 mm
Punane	3,2 mm
Roheline	2,4 mm
Needi materjal	Alumiinium Vask Teras Roostevaba teras
Kaal vastavalt EPTA-protseduurile 01/2003 (Li-Ion 2,0 Ah)	2,1 kg
Soovituslik keskkonna temperatuur töötamiseks	-18°C ... +50°C
Soovituslikud akupakid	M12B...
Soovituslik laadija	C12C M12C4 M12-18 ...
<b>Müra andmed</b>	
Mööteväärtsused on kindlaks tehtud vastavalt normile EN 62841. Seadme tüüpiline hinnanguline (müratase):	
Helirõhutase (Määramatus K=3dB(A))	53,1 dB(A)
Helivõimsuse tase (Määramatus K=3dB(A))	64,1 dB(A)
<b>Kandke kaitseks kõrvaklappe!</b>	
<b>Vibratsiooni andmed</b>	
Vibratsiooni koguväärtus (kolme suuna vektorsummamöödetud EN 62841 järgi).	
Vibratsiooni emissiooni väärtus <sub>h</sub>	0,1 m/s <sup>2</sup>
Määramatus K=	1,5 m/s <sup>2</sup>

## TÄHELEPANU!

Antud juhendis toodud võnketase on möödetud EN 62841 standardile vastava mõõtesüsteemiga ning seda võib kasutada erinevate elektriseadmete omavahelises võrdlemises. Antud näitaja sobib ka esmaseks võnkekoormuse hindamiseks.

Antud võnketase kehtib elektriseadme kasutamisel sihtotstarbeliselt. Kui elektriseadet kasutatakse muudel otstarvetel, muude tööriistadega või seda ei hooldata piisavalt võib võnketase siintoodust erineda. Eeltoodu võib võnketaset märkimisväärselt tõsta terves töökeskkonnas.

Võnketaseme täpseks hindamiseks tuleks arvestada ka aega, mil seade on välja lülitatud või on küll sisse lülitatud, kuid ei ole otseselt kasutuses. See võib märgatavalt vähendada kogu töökeskkonna võnketaset.

Rakendage spetsiaalseid ettevaatusabinõusid töötajate suhtes, kes puutuvad töö käigus palju kokku vibratsiooniga. Nendeks abinõudeks võivad olla, näiteks: elektri- ja tööseadmete korraline hooldus, käte soojendamine, töövoo parem organiseerimine.

**⚠ TÄHELEPANU** Lugege kõik seadme kaasas olevad ohutusjuhised, juhendid, joonised ja andmed läbi. Ohutusnõuete ja juhist eiramise tagajärjeks võib olla elektrilööko, tulekahju ja/või raskek vigastused. **Hoidke kõik ohutusnõuded ja juhised edasiseks kasutamiseks hoolikalt alles.**

## ⚠ NEETIMISTÖÖRIISTA OHUTUSHOIATUSED

**Tööde puhul, kus lõikeseade võib minna vastu peidetud elektrijuhtmeid, hoidke kinni seadme isoleeritud käepidemetest.** Kokkupude pingestatud juhtmega võib pingestada ka lõikeseadme metallist osad ning põhjustada elektrilöögi.

**Kasutada kaitsevarustust.** Kaitseriietusena soovitatakse kasutada tolmumaski kaitsekindaid, kinniseid ja libisemisvastase tallaga jalanõusid, kiivrit ja kuulmisteede kaitset.

Laske kahjustused kohe volitatud oskustöökojas remontida.

Enne kõiki töid masina kallal võtke vahetatav aku välja.

Vigastuste ja kahjustuste vältimiseks ärge asetage tööriista, eemaldatavat akut ega laadijat vette ega laske vedelikel neisse tungida.

Laadige süsteemi M12 vahetatavaid akusid ainult süsteemi M12 laadijatega. Ärge laadige nendega teiste süsteemide akusid.

Ärge avage vahetatavaid akusid ega laadijaid ning ladustage neid ainult kuivades ruumides. Kaitske niiskuse eest.

Lühisest põhjustatud tuleohtu, vigastuste või toote kahjustuste vältimiseks ärge kastke tööriista, vahetusaku ega laadimisseadet vedelikku ning jälgige, et vedelikke ei tungiks seadmetesse ega akusse. Korrodeeruvad või elektrit juhtivad vedelikud, nagu soolvesi, teatud kemikaalid ja pleegitusained või pleegitusaineid sisaldavad tooted, võivad põhjustada lühisid.

## KASUTAMINE VASTAVALT OTSTARBELE

See elektriline pinneetimitasin on mõeldud pinneetide professionaalsete paigaldamiseks.

## JÄÄKOHUD

Hoollimata asjaomaste ohutuseeskirjade kohaldamisest ja kaitsevadest kasutamisest ei saa teatud jääkriske välistada. Need on:

- Kuulmise halvenemine.
- Laialipaiskuvate osade tõttu tekkivate kehavigastuste oht

## HOOLDUS

Enne kõiki töid masina kallal võtke vahetatav aku välja.

Vigastuste ja kahjustuste vältimiseks ärge asetage tööriista, eemaldatavat akut ega laadijat vette ega laske vedelikel neisse tungida.

Hoidke masina õhutuspilud alati puhtad.

Hooldus- ja remonditööd tohivad teostada üksnes volitatud oskustöökojad.

Kasutage ainult Milwaukee tarvikuid ja Milwaukee tagavaraosi. Detailid, mille väljavahetamist pole kirjeldatud, laske välja vahetada Milwaukee klienditeeninduspunkti (vaadake brošüüri garantii / klienditeeninduste aadressid).

Vajaduse korral võite tellida seadme läbilõikejoonise, näidates ära masina tüübi ja andmesildil oleva numbr. Selleks pöörduge klienditeeninduspunkti või ots: Techtronic Industries GmbH, Max-Eyth-Straße 10, 71364 Winnenden, Germany.

## AKUD

Temperatuur üle 50 °C vähendab vahetatava aku töövoimet. Välgite pikemat soojenemist päikese või kütteseadme mõjul.

Hoidke laadija ja vahetatava aku ühenduskontaktid puhtad.

Optimaalse patarei eluea tagamiseks, pärast kasutamist lae patareiplokk täielikult. Pikemat aega mittekasutatud akusid laadige veel enne kasutamist.

Akud tuleks võimalikult pika kasutusea saavutamiseks pärast täislaadimist laadijast välja võtta.



Aku ladustamisele üle 30 päeva; Ladustage akut kuivas kohas u 27°C juures. Ladustage akut u 30-50% laetusseisundis. Laadige aku iga 6 kuu tagant täis.

Ärge visake tarvitatud vahetatavaid akusid tulle ega olmeprügisse. Milwaukee pakub vanade akude keskkonnahoidlikku käitlust; palun küsige oma erialaselt tarnijalt.

Ärge säilitage vahetatavaid akusid koos metallesemetega (lühiseoht).

### LIITIUMIOONAKUDE TRANSPORTIMINE

Liitiumioonakud on allutatud ohtlike ainete transportimisega seonduvatele õigusaktidele.

Nende akude transportimine peab toimuma kohalikest, siseriiklikest ja rahvusvahelistest eeskirjadest ning määrustest kinni pidades.

Tarbijad tohivad neid akusid edasiste piiranguteta tänaval transportida.

Liitiumioonakude komertstransport ekspedeerimisettevõtete kaudu on allutatud ohtlike ainete transportimisega seonduvatele õigusaktidele. Tarne-ettevalmistusi ja transporti tohivad teostada eranditult vastavalt koolitatud isikud. Kogu protsessi tuleb asjatundlikult jälgida.

Akude transportimisel tuleb järgida järgmisi punkte:

Tehke kindlaks, et kontaktid on lühiste vältimiseks kaitsstud ja isoleeritud. Pöörake tähelepanu sellele, et akupakk ei saaks pakendis nihkuda. Kahjustatud või välja voolanud akusid ei tohi kasutada. Pöörduge edasiste juhiste saamiseks ekspedeerimisettevõtte poole.

### EÜ VASTAVUSAVALDUS

Kinnitame oma ainuvastutusel, et „Tehniliste andmete“ all kirjeldatud toode vastab direktiivide kõigile asjakohastele sätetele

2011/65/EU RoHS

2006/42/EÜ

2014/30/EU

ning täidetud on järgmiste ühtlustatud standardite nõuded.

EN 62841-1:2015

EN 55014-1:2017

EN 55014-2:2015

EN 50581:2012



Winnenden, 2018-02-20

Alexander Krug / Managing Director  
On volitatud koostama tehnilist dokumentatsiooni.  
Techronic Industries GmbH  
Max-Eyth-Straße 10, 71364 Winnenden, Germany

### SÜMBOLID



Palun lugege enne käikulaskmist kasutusjuhend hoolikalt läbi.



Kanda kaitsekindaid!



Masinaga töötades kandke alati kaitseprille.



Elektrilöögi oht



ETTEVAATUST! TÄHELEPANU! OHUD!



Enne kõiki töid masina kallal võtke vahetatav aku välja.



Tarvikud - ei kuulu tarne komplekti, soovitatav täiendus on saadaval tarvikute programmis.



Elektriseadmeid, patareisid/akusid ei tohi utiliseerida koos majapidamisprügiga. Elektriseadmed ja akud tuleb eraldi kokku koguda ning kõrvaldada keskkonnasõbralikul moel töötlemiskeskusesse. Küsige infot jäätmekäitlusjaamade ja kogumispunktide kohta oma kohalike ametnike või edasimüüja käest.



Pinge



Alalisvool



CE-märk



UkrSEPRO vastavusmärk.



Euraasia vastavusmärk.

ТЕХНИЧЕСКИЕ ДАННЫЕ ЗАКЛЕПОЧНИК	M12 VPRT
Серийный номер изделия	4670 73 01... ... 000001-999999
Вольтаж аккумулятора	12 V
Диаметр зажима макс.	4,8 mm
Длина хода инструмента	20,3 mm
Тянущее усилие	9000 N
Размер заклепки Ø	
черный	4,8 mm
коричневый	4,0 mm
Красный	3,2 mm
Зеленый	2,4 mm
Материал заклепки	Алюминий Медь Стали Нержавеющая сталь
Вес согласно процедуре EPTA 01/2003 (Li-Ion 2,0 Ah)	2,1 kg
Температура окружающей среды, рекомендованная для эксплуатации	-18°C ... +50°C
Рекомендованные аккумуляторные блоки	M12B...
Рекомендованные зарядные устройства	C12C M12C4 M12-18 ...
<b>Информация по шумам</b>	
Значения замерялись в соответствии со стандартом EN 62841. Уровень шума прибора, определенный по показателю A, обычно составляет:	
Уровень звукового давления (Небезопасность K=3dB(A))	53,1 dB(A)
Уровень звуковой мощности (Небезопасность K=3dB(A))	64,1 dB(A)
<b>Пользуйтесь приспособлениями для защиты слуха.</b>	
<b>Информация по вибрации</b>	
Общие значения вибрации (векторная сумма трех направлений) определены в соответствии с EN 62841.	
Значение вибрационной эмиссии <sub>a</sub>	0,1 m/s <sup>2</sup>
Небезопасность K=	1,5 m/s <sup>2</sup>

## ВНИМАНИЕ!

Указанный в настоящем руководстве уровень вибрации измерен в соответствии с технологией измерения, установленной стандартом EN 62841 и может использоваться для сравнения электроинструментов друг с другом. Он также подходит для предварительной оценки вибрационной нагрузки.

Указанный уровень вибрации представляет основные виды использования электроинструмента. Но если электроинструмент используется для других целей, используемый инструмент отклоняется от указанного или техническое обслуживание было недостаточным, то уровень вибрации может отклоняться от указанного. В этом случае вибрационная нагрузка в течение всего периода работы значительно увеличивается.

Для точной оценки вибрационной нагрузки необходимо также учитывать время, в течение которого прибор отключен или включен, но фактически не используется. В этом случае вибрационная нагрузка в течение всего периода работы может существенно уменьшиться.

Установите дополнительные меры безопасности для защиты пользователя от воздействий вибрации, например:

техническое обслуживание электроинструмента и используемого инструмента, поддержание рук в теплом состоянии, организация рабочих процессов.

**ВНИМАНИЕ** Ознакомьтесь с правилами техники безопасности, техническими регламентами, изображениями и данными, прилагаемыми к устройству. Упущения, допущенные при не соблюдении указаний и инструкций по технике безопасности, могут стать причиной электрического поражения, пожара и тяжелых травм. **Сохраняйте эти инструкции и указания для будущего использования.**

## ТЕХНИКА БЕЗОПАСНОСТИ ПРИ ОБРАЩЕНИИ С ЗАКЛЕПОЧНИКОМ

**Если Вы выполняете работы, при которых режущий инструмент может зацепить скрытую электропроводку кабель, инструмент следует держать за специально предназначенные для этого изолированные поверхности.** Контакт режущего инструмента с токоведущим проводом может ставить под напряжение металлические части прибора, а также приводить к удару электрическим током.

**Пользоваться средствами защиты.** Рекомендуется спецодежда: пылезащитная маска, защитные перчатки, прочная и нескользящая обувь, каска и наушники.

Повреждения должны незамедлительно устраняться в сертифицированном сервисном центре.

Выньте аккумулятор из машины перед проведением с ней каких-либо манипуляций.

Во избежание ранения и порчи имущества ни в коем случае не опускайте инструмент, съемный аккумулятор и зарядное устройство в жидкость и не допускайте проникновения жидкости внутрь этих устройств.

Для зарядки аккумуляторов модели M12 используйте только зарядным устройством M12. Не заряжайте аккумуляторы других систем.

Никогда не вскрывайте аккумуляторы или зарядные устройства и храните их только в сухих помещениях. Следите, чтобы они всегда были сухими.

Для предотвращения опасности пожара в результате короткого замыкания, травм и повреждения изделия не опускайте инструмент, съемный аккумулятор или зарядное устройство в жидкости и не допускайте попадания жидкостей внутрь устройств или аккумуляторов. Коррозионные и проводящие жидкости, такие как соленый раствор, определенные химикаты, отбеливающие средства или содержащие их продукты, могут привести к короткому замыканию.

## ИСПОЛЬЗОВАНИЕ

Этот электроинструмент для односторонней клепки предназначен для профессиональной установки односторонних заклепок.

## ОСТАТОЧНЫЕ ОПАСНОСТИ

Даже в случае его использования с соблюдением применимых мер по технике безопасности и с защитными устройствами нельзя гарантировать отсутствие определенных остаточных рисков. К ним относятся:

- Ухудшение слуха.
- Риск получение физических травм от разлетающихся частиц



## ОБСЛУЖИВАНИЕ

Выньте аккумулятор из машины перед проведением с ней каких-либо манипуляций.

Во избежание ранения и порчи имущества ни в коем случае не опускайте инструмент, съемный аккумулятор и зарядное устройство в жидкость и не допускайте проникновения жидкости внутрь этих устройств.

Всегда держите охлаждающие отверстия чистыми.

Работы по техобслуживанию и ремонту могут производиться только в сертифицированных сервисных центрах.

Пользуйтесь аксессуарами и запасными частями Milwaukee. В случае возникновения необходимости в замене, которая не была описана, обращайтесь в один из сервисных центров по обслуживанию электроинструментов Milwaukee (см. список сервисных организаций).

При необходимости может быть заказан чертеж инструмента с трехмерным изображением деталей. Пожалуйста, укажите номер и тип инструмента и закажите чертеж у Ваших местных агентов или непосредственно у Techtronic Industries GmbH, Max-Eyth-Straße 10, 71364 Winnenden, Germany.



## АККУМУЛЯТОР

Температура свыше 50°C снижает работоспособность аккумуляторов. Избегайте продолжительного нагрева или прямого солнечного света (риск перегрева).

Контакты зарядного устройства и аккумуляторов должны содержаться в чистоте.

Для обеспечения оптимального срока службы аккумулятор необходимо полностью заряжать после использования прибора. Перед использованием аккумулятора, которым не пользовались некоторое время, его необходимо зарядить.

Для достижения максимально возможного срока службы аккумуляторы после зарядки следует вынимать из зарядного устройства.

При хранении аккумулятора более 30 дней; Храните аккумулятор при 27°C в сухом месте., Храните аккумулятор с зарядом примерно 30% - 50%., Каждые 6 месяцев аккумулятор следует заряжать.

Не выбрасывайте использованные аккумуляторы вместе с домашним мусором и не сжигайте их. Дистрибьюторы компании Milwaukee предлагают восстановление старых аккумуляторов, чтобы защитить окружающую среду.

Не храните аккумуляторы вместе с металлическими предметами во избежание короткого замыкания.

## ТРАНСПОРТИРОВКА ЛИТИЙ-ИОННЫХ АККУМУЛЯТОРОВ

Литий-ионные аккумуляторы в соответствии с предписаниями закона транспортируются как опасные грузы.

Транспортировка этих аккумуляторов должна осуществляться с соблюдением местных, национальных и международных предписаний и положений.

Эти аккумуляторы могут перевозиться по улице потребителем без дальнейших обязательств.

При коммерческой транспортировке литий-ионных аккумуляторов экспедиторскими компаниями действуют положения, касающиеся транспортировки опасных грузов. Подготовка к отправке и транспортировка должны производиться исключительно специально обученными лицами. Весь процесс должен находиться под контролем специалиста.

При транспортировке аккумуляторов необходимо соблюдать следующие пункты:

Убедитесь, что контакты защищены и изолированы во избежание короткого замыкания. Следите за тем, чтобы аккумуляторный блок не соскользнул внутри упаковки. Транспортировка поврежденных или протекающих аккумуляторов запрещена. За дополнительными указаниями обратитесь к своему экспедитору.

## ДЕКЛАРАЦИЯ О СООТВЕТСТВИИ СТАНДАРТАМ ЕС

Мы несем исключительную ответственность за то, что изделие, описанное в разделе «Техническая информация» соответствует всем применимым положениям директив

2011/65/EU RoHS

2006/42/EC

2014/30/EU

а также следующим согласованным стандартам

EN 62841-1:2015

EN 55014-1:2017

EN 55014-2:2015

EN 50581:2012



Winnenden, 2018-02-20

Alexander Krug / Managing Director  
Уполномочен на составление технической документации.  
Techtronic Industries GmbH  
Max-Eyth-Straße 10, 71364 Winnenden, Germany



## ^ СИМВОЛЫ



Пожалуйста, внимательно прочтите инструкцию по использованию перед началом любых операций с инструментом.



Надевать защитные перчатки!



При работе с инструментом всегда надевайте защитные очки.



Опасность поражения электрическим током



ВНИМАНИЕ! ПРЕДУПРЕЖДЕНИЕ! ОПАСНОСТЬ!



Выньте аккумулятор из машины перед проведением с ней каких-либо манипуляций.



Принадлежности - В стандартную комплектацию не входит, поставляется в качестве дополнительной принадлежности.



Электроприборы, батареи/аккумуляторы запрещено утилизировать вместе с бытовым мусором. Электрические приборы и аккумуляторы следует собирать отдельно и сдавать в специализированную компанию для утилизации в соответствии с нормами охраны окружающей среды. Получите в местных органах власти или у вашего специализированного дилера сведения о центрах вторичной переработки и пунктах сбора.

**V** Вольт пост. тока

 Постоянный ток



Знак CE



Знак UkrSEPRO Соответствия

TR 066



Знак Евразийского Соответствия

### Транспортировка:

Категорически не допускается падение и любые механические воздействия на упаковку при транспортировке.

При разгрузке/погрузке не допускается использование любого вида техники, работающей по принципу зажима упаковки.

### Хранение:

Необходимо хранить в сухом месте.

Необходимо хранить вдали от источников повышенных температур и воздействия солнечных лучей.

При хранении необходимо избегать резкого перепада температур.

Хранение без упаковки не допускается.

### Срок службы изделия:

Срок службы изделия составляет 5 лет.

Не рекомендуется к эксплуатации по истечении 5 лет хранения с даты изготовления без предварительной проверки.

### Дата изготовления (код даты)

отштампован на поверхности корпуса изделия.

Пример:

A2015, где 2015 - год изготовления

A - месяц изготовления

Определить месяц изготовления можно согласно приведенной ниже таблице.

A - Январь	G - Июль
B - Февраль	H - Август
C - Март	J - Сентябрь
D - Апрель	K - Октябрь
E - Май	L - Ноябрь
F - Июнь	M - Декабрь

Тектроник Индастриз ГмбХ  
Германия, 71364, Винненден,  
ул. Макс-Ай-Штрассе, 10  
Сделано в КНР



ТЕХНИЧЕСКИ ДАННИ ИНСТРУМЕНТ ЗА ЗАНИТВАНЕ	M12 VPRT
Производствен номер	4670 73 01... ... 000001-999999
Напрежение на акумулатора	12 V
Диаметър на челостта макс.	4,8 mm
Дължина на рамото на инструмента	20,3 mm
Теглителна сила	9000 N
Размер на нитовите Ø	4,8 mm 4,0 mm 3,2 mm 2,4 mm
Материал на нитовете	Алуминий Мед Стомана Неръждаема стомана
Тегло съгласно процедурата EPTA 01/2003 (Li-Ion 2,0 Ah)	2,1 kg
Препоръчителна температура на околната среда при експлоатация	-18°C ... +50°C
Препоръчителни акумулаторни батерии	M12B...
Препоръчителни зарядни устройства	C12C M12C4 M12-18 ...
<b>Информация за шума</b>	
Измерените стойности са получени съобразно EN 62841. Оцененото с A ниво на шума на уреда е съответно:	
Равнище на звуковото налягане (Несигурност K=3dB(A))	53,1 dB(A)
Равнище на мощността на звука (Несигурност K=3dB(A))	64,1 dB(A)
<b>Да се носи предпазно средство за слуха!</b>	
<b>Информация за вибрациите</b>	
Общите стойности на вибрациите (векторна сума на три посоки) са определени в съответствие с EN 62841.	
Стойност на емисии на вибрациите $a_h$	0,1 m/s <sup>2</sup>
Несигурност K=	1,5 m/s <sup>2</sup>

### ВНИМАНИЕ!

Посоченото в тези инструкции ниво на вибрациите е измерено в съответствие със стандартизиран в EN 62841 измервателен метод и може да се използва за сравнение на електрически инструменти помежду им. Подходящ е и за временна оценка на вибрационното натоварване.

Посоченото ниво на вибрациите представя основните приложения на електрическия инструмент. Ако обаче електрическият инструмент се използва с друго предназначение, с различни сменяеми инструменти или при недостатъчна техническа поддръжка, нивото на вибрациите може да е различно. Това чувствително може да увеличи вибрационното натоварване по време на целия работен цикъл.

За точната оценка на вибрационното натоварване трябва да се вземат предвид и периодите от време, в които уредът е изключен или работи, но в действителност не се използва. Това чувствително може да намали вибрационното натоварване по време на целия работен цикъл.

Определете допълнителни мерки по техника на безопасност в защита на обслужващия работник от въздействието на вибрациите като например: техническа поддръжка на електрическия инструмент и сменяемите инструменти, поддържане на ръцете топли, организация на работния цикъл.



### ВНИМАНИЕ Прочетете всички указания за безопасност, инструкции, изображенията и техническите данни, които получавате с уреда.

Пропуски при спазването на указанията и на инструкциите за безопасност могат да доведат до токов удар, пожар и/или тежки наранявания.

**Запазете всички указания и инструкции за безопасност за бъдещето.**



### ИНСТРУКЦИИ ЗА БЕЗОПАСНОСТ ПРИ ИЗПОЛЗВАНЕ НА ИНСТРУМЕНТА ЗА ЗАНИТВАНЕ

**Дръжте уреда за изолираните ръкохватки, когато извършвате работи, при които режещият инструмент може да засегне скрити електроинсталационни кабели.**

Контактът на режещия инструмент с тоководещ проводник може да предаде напрежението върху метални части на уреда и да доведе до токов удар.

**Да се използват предпазни средства.** Препоръчват се защитно облекло и прахозащитна маска, защитни ръкавици, здрави и нехлъзгащи се обувки, каска и предпазни средства за слуха.

Отстранете повредите незабавно в оторизиран специализиран сервис.

Преди започване на каквито е да е работи по машината извадете акумулатора.

За да избегнете нараняване и повреда, никога не потапяйте инструмента, сменяемата батерия или зарядното в течност и не позволявайте проникването на течност в тях.

Акумулатори от системата M12 да се зареждат само със зарядни устройства от системата M12 laden. Да не се зареждат акумулатори от други системи.

Не отваряйте акумулатори и зарядни устройства и ги съхранявайте само в сухи помещения. Пазете ги от влага.

За да избегнете опасността от пожар, предизвикана от късо съединение, както и нараняванията и повредите на продукта, не потапяйте инструмента, сменяемата акумулаторна батерия или зарядното устройство в течности и се погрижете в уредите и акумулаторните батерии да не попадат течности. Течностите, предизвикващи корозия или провеждащи електричество, като солена вода, определени химикали, изелбавщи вещества или продукти, съдържащи изелбавщи вещества, могат да предизвикат късо съединение.

### ИЗПОЛЗВАНЕ ПО ПРЕДНАЗНАЧЕНИЕ

Електрическият инструмент за поп-нитове е проектиран за професионално поставяне на поп-нитове.

### ОСТАТЪЧНИ РИСКОВЕ

Въпреки прилагането на съответните разпоредби за безопасност и използването на устройства за безопасност, някои остатъчни рискове не могат да бъдат избегнати. Те са:

- Наружения на слуха
- Риск от нараняване от летящи частици.



## ПОДДРЪЖКА

Преди започване на каквито е да работи по машината извадете акумулатора.

За да избегнете нараняване и повреда, никога не потапяйте инструмента, сменяемата батерия или зарядното в течност и не позволявайте проникването на течност в тях.

Вентилационните шлицы на машината да се поддържат винаги чисти.

Свързаните с ремонт и поддръжка работи следва да се извършват само от оторизирани специализирани сервиси.

Да се използват само аксесоари на Milwaukee и резервни части на Milwaukee. Елементи, чията подмяна не е описана, да се дадат за подмяна в сервиз на Milwaukee (вижте брошурата „Гаранция и адреси на сервиси“).

При необходимост можете да поискате за уреда от Вашия сервиз или директно от Techtronic Industries GmbH, Max-Eyth-Straße 10, 71364 Winnenden, Germany, чертеж за в случай на експлозия, като посочите типа на машината и номер върху заводската табелка.

## АКУМУЛАТОРИ

Температура над 50°C намалява мощността на акумулатора. Да се избягва по-продължително нагряване на слънце или от отопление.

Поддържайте чисти присъединителните контакти на зарядното устройство и на акумулатора.

За оптимална продължителност на живот след употреба батериите трябва да се заредят напълно. Акумулатори, които не са ползвани по-дълго време, преди употреба да се дозаредят.

За възможно по-дълга продължителност на живот батериите трябва да се изваждат от уреда след зареждане.

При съхранение на батериите за повече от 30 дни, съхранявайте батерията при прил. 27°C и на сухо място., Съхранявайте батерията при 30 до 50 % от заряда., Зареждайте батерията на всеки 6 месеца.

Не изхвърляйте изхабените акумулатори в огъня или в при битовите отпадъци. Milwaukee предлага екологосъобразно събиране на старите акумулатори; моля попитайте Вашия специализиран търговец.

Не съхранявайте акумулаторите заедно с метални предмети (опасност от късо съединение).

## ПРЕВОЗ НА ЛИТИЕВО-ЙОННИ БАТЕРИИ

Литиево-йонните батерии са предмет на законовите разпоредби за превоз на опасни товари.

Превозът на тези батерии трябва да се извършва в съответствие с местните, националните и международните разпоредби и регламенти.

Потребителите могат да превозват тези батерии по пътя без допълнителни изисквания.

Превозът на литиево-йонни батерии от транспортни компании е предмет на законовите разпоредбите за превоз на опасни товари. Подготовката на превоза и самият превоз трябва да се извършват само от обучени лица. Целият процес трябва да е под професионален надзор.

Спазвайте следните изисквания при превоз на батерии:

Уверете се, че контактите са защитени и изолирани, за да се избегне късо съединение. Уверете се, че няма опасност от разместване на батерията в опаковката. Не превозвайте повредени батерии или такива с течове. Обърнете се към Вашата транспортна компания за допълнителни инструкции.

## СЕ - ДЕКЛАРАЦИЯ ЗА СЪОТВЕТВИЕ

Ние декларираме, изцяло на наша отговорност, че продуктът, описан в „Технически данни“, съответства на всички необходими изисквания на директивите

2011/65/EC RoHS

2006/42/EO

2014/30/EC

и че са използвани следните хармонизирани стандарти

EN 62841-1:2015

EN 55014-1:2017

EN 55014-2:2015

EN 50581:2012



Winnenden, 2018-02-20

Alexander Krug / Managing Director

Упълномощен за съставяне на техническата документация

Techtronic Industries GmbH

Max-Eyth-Straße 10, 71364 Winnenden, Germany



## СИМВОЛИ



Преди пускане на уреда в действие моля прочетете внимателно инструкцията за използване.



Да се носят предпазни ръкавици!



При работа с машината винаги носете предпазни очила.



Опасност от токов удар



ВНИМАНИЕ! ПРЕДУПРЕЖДЕНИЕ! ОПАСНОСТ



Преди започване на каквито е да е работи по машината извадете акумулатора.



Акcesoари - Не се съдържат в обема на доставката, препоръчвано допълнение от програмата за акcesoари.



Електрическите уреди, батерии/акумулаторни батерии не трябва да се изхвърлят заедно с битовите отпадъци. Електрическите уреди и акумулаторни батерии трябва да се събират отделно и да се предават на службите за рециклиране на отпадъците според изискванията за опазване на околната среда. Информирайте се при местните служби или при местните специализирани търговци относно местата за събиране и централите за рециклиране на отпадъци.

**V** Напрежение



Постоянен ток



CE-знак



UkrSEPRO знак за съответствие.

TR 066



EurAsian знак за съответствие.



DATE TEHNICE PISTOL DE NITUIT	M12 BPRT
Număr producție	4670 73 01... ... 000001-999999
Tensiune acumulator	12 V
Diametru falcă max.	4,8 mm
Lungimea de percucie a pistolului	20,3 mm
Forță de extragere	9000 N
Dimensiune nituri Ø	
Negru	4,8 mm
maro	4,0 mm
Roșu	3,2 mm
Verde	2,4 mm
Material nituri	Aluminiu Cupru Oțel Oțel
Greutatea conform „EPTA procedure 01/2003” (Li-Ion 2,0 Ah)	2,1 kg
Temperatură ambientală recomandată pentru funcționare	-18°C ... +50°C
Seturi de baterii recomandate	M12B...
Încărcător de baterii recomandat	C12C M12C4 M12-18 ...
<b>Informație privind zgomotul</b>	
Valori măsurate determinate conform EN 62841. Nivelul de zgomot evaluat cu A al aparatului este tipic de:	
Nivelul presiunii sonore (Nesiguranță K=3dB(A))	53,1 dB(A)
Nivelul sunetului (Nesiguranță K=3dB(A))	64,1 dB(A)
<b>Purtați căști de protecție</b>	
<b>Informații privind vibrațiile</b>	
Valorile totale de oscilație (suma vectorială pe trei direcții determinate conform normei EN 62841.	
Valoarea emisiei de oscilația <sub>h</sub>	0,1 m/s <sup>2</sup>
Nesiguranță K=	1,5 m/s <sup>2</sup>

#### AVERTISMENT!

Gradul de oscilație indicat în prezentele instrucțiuni a fost măsurat în conformitate cu o procedură de măsurare normată prin norma EN 62841 și poate fi folosit pentru a compara unelte electrice între ele. El se pretează și pentru o evaluare provizorie a solicitării la oscilații.

Gradul de oscilație indicat reprezintă aplicațiile principale ale uneltelor electrice. În cazul în care însă uneltele electrice au fost folosite pentru alte aplicații, ori au fost folosite unelte de muncă diferite ori acestea nu au fost supuse unei suficiente inspecții de întreținere, gradul de oscilație poate fi diferit.

Acest fapt poate duce la o creștere netă a solicitărilor la oscilații dealungul întregii perioade de lucru. În scopul unei evaluări exacte a solicitării la oscilații, urmează să fie luate în considerație și perioadele de timp în care aparatul a fost oprit ori funcționează dar, în realitate, el nu este folosit în mod practic. Acest fapt poate duce la o reducere netă a solicitărilor la oscilații dealungul întregii perioade de lucru.

Stabiliți măsuri de siguranță suplimentare în scopul protecției utilizatorului de efectele oscilațiilor, de exemplu: inspecție de întreținere a uneltelor electrice și a celor de muncă, păstrarea caldă a mâinilor, organizarea proceselor de muncă.

**AVERTISMENT** Citiți toate instrucțiunile de securitate, recomandările, reprezentările grafice și datele pe care le primiți livrate împreună cu aparatul. Nerespectarea indicațiilor de avertizare și a instrucțiunilor poate provoca electrocutare, incendii și/sau răniri grave.  
**Păstrați toate indicațiile de avertizare și instrucțiunile în vederea utilizărilor viitoare.**

#### AVERTISMENTE DE SIGURANȚĂ PENTRU PISTOL DE NITUIT

**Țineți aparatul de mânerle izolate când executați lucrări la care scula tăietoare poate nimeri peste conductori electrici ascunși.** Intrarea în contact a sculei tăietoare cu o linie electrică prin care circula curent poate pune sub tensiune și componente metalice ale aparatului și să ducă la electrocutare.

**Folosii echipament de protecție.** Se recomandă utilizarea hainelor de protecție ca de ex. Măști contra prafului, mănuși de protecție, încălțăminte stabilă nealunecoasă, cască și aparatoare de urechi.

Deteriorările trebuie reparate imediat de către un atelier autorizat.

Îndepărtați acumulatorul înainte de începerea lucrului pe mașina. Pentru a evita rănirile și deteriorările, nu scufundați niciodată în lichide uneltele, bateria detașabilă sau încărcătorul și nu permiteți niciodată pătrunderea lichidelor în acestea.

Folosii numai încărcătoare System M12 pentru încărcarea acumulatorilor System M12. Nu folosiți acumulatori din alte sisteme.

Nu deschideți niciodată acumulatorii și încărcătoarele și păstrați-le numai în încăperi uscate. Pastrați-le întotdeauna uscate.

Pentru a reduce pericolul unui incendiu și evitarea rănirilor sau deteriorarea produsului în urma unui scurtcircuit nu imersați scula, acumulatorul de schimb sau încărcătorul în lichide și asigurați-vă să nu pătrundă lichide în aparate și acumulatori. Lichidele corosive sau cu conductibilitate, precum apa sărată, anumite substanțe chimice și înalbitori sau produse ce conțin înalbitori, pot provoca un scurtcircuit.

#### CONDIȚII DE UTILIZARE SPECIFICATE

Acest pistol electric de nituire oarbă este conceput pentru aplicații profesionale de aplicare a niturilor oarbe.

#### RISCURI REZIDUALE

În pofda aplicării reglementărilor de siguranță relevante și implementării dispozitivelor de siguranță, anumite riscuri remanente nu pot fi evitate. Acestea sunt:

- Afectarea auzului.
- Riscul de vătămări corporale din cauza particulelor proiectate



Ro

## ÎNȚEȚINERE

Îndepărtați acumulatorul înainte de începerea lucrului pe mașina Pentru a evita rămirile și deteriorările, nu scufundați niciodată în lichide unealta, bateria detașabilă sau încărcătorul și nu permiteți niciodată pătrunderea lichidelor în acestea.

Fantele de aerisire ale mașinii trebuie să fie menținute libere tot timpul

Efectuarea lucrărilor de întreținere și de reparație este permisă numai atelierelor de specialitate autorizate.

Utilizați numai accesorii și piese de schimb Milwaukee. Dacă unele din componente care nu au fost descrise trebuie înlocuite , vă rugăm contactați unul din agenții de service Milwaukee (vezi lista noastră pentru service / garanți

Dacă este necesară, se poate comanda o imagine descompusă a sculei. Vă rugăm menționați numărul art. Precum și tipul mașinii tipărit pe etichetă și comandați desenul la agenții de service locali sau direct la Techtronic Industries GmbH, Max-Eyth-Straße 10, 71364 Winnenden, Germany.

## ACUMULATORI

Temperatura mai mare de 50°C (122°F) reduce performanța acumulatorului. Evitați expunerea prelungită la căldură sau radiație solară (risc de supraîncălzire)

Contactele încărcătoarelor și acumulatorilor trebuie păstrate curate.

În scopul optimizării duratei de funcționare, bateriile trebuie reîncărcate complet după utilizare. Acumulatorii care nu au fost utilizați o perioadă de timp trebuie reîncărcați înainte de utilizare Pentru o durată de viață cât mai lungă, acumulatorii ar trebui scoși din încărcător după încărcare.

La depozitarea acumulatorilor mai mult de 30 zile, Acumulatorii se depozitează la cca. 27°C și la loc uscat., Acumulatorii se depozitează la nivelul de încărcare de cca. 30%-50%, Acumulatorii se încarcă din nou la fiecare 6 luni.

Nu aruncați acumulatorii uzați la containerul de reziduri menajere și nu îi ardeți. Milwaukee Distributors se oferă să recupereze acumulatorii vechi pentru protecția mediului înconjurător.

Nu depozitați acumulatorul împreună cu obiecte metalice (risc de scurtcircuit)

## TRANSPORTUL ACUMULATORILOR CU IONI DE LITIU

Acumulatorii cu ioni de litiu cad sub incidența prescripțiilor legale pentru transportul de mărfuri periculoase.

Transportul acestor acumulatori trebuie să se efectueze cu respectarea prescripțiilor și reglementărilor pe plan local, național și internațional.

Consumatorilor le este permis transportul rutier nerestricționat al acestui tip de acumulatori.

Transportul comercial al acumulatorilor cu ioni de litiu prin intermediul firmelor de expediție și transport este supus reglementărilor transportului de mărfuri periculoase. Pregătirile pentru expediție și transportul au voie să fie efectuate numai de către personal instruit corespunzător. Întregul proces trebuie asistat în mod competent.

Următoarele puncte trebuie avute în vedere la transportul acumulatorilor:

Pentru a se evita scurtcircuitate, asigurați-vă de faptul că sunt protejate și izolate contactele. Aveți grijă ca pachetul de acumulatori să nu poată aluneca în altă poziție în interiorul ambalajului său. Este interzis transportarea unor acumulatori deteriorați sau care pierd lichid. Pentru indicații suplimentare adresați-vă firmei de expediție și transport cu care colaborați.

## DECLARAȚIE DE CONFORMITATE

Declarăm pe propria răspundere că produsul descris în capitolul „Date tehnice” îndeplinește toate cerințele relevante ale directivelor

2011/65/UE RoHS

2006/42/CE

2014/30/UE

și au fost utilizate următoarele standarde armonizate

EN 62841-1:2015

EN 55014-1:2017

EN 55014-2:2015

EN 50581:2012



Winnenden, 2018-02-20

Alexander Krug / Managing Director

Împuternicit să elaboreze documentația tehnică.

Techtronic Industries GmbH

Max-Eyth-Straße 10, 71364 Winnenden, Germany



Ro

## SIMBOLURI



Va rugăm citiți cu atenție instrucțiunile înainte de pornirea mașinii



Purtați mănuși de protecție!



Purtați întotdeauna ochelari de protecție când utilizați mașina.



Pericol de șoc electric



PERICOL! AVERTIZARE! ATENȚIE!



Îndepărtați acumulatorul înainte de începerea lucrului pe mașina



Accesoriu - Nu este inclus în echipamentul standard, disponibil ca accesoriu



Aparatele electrice, bateriile/acumulatorii nu se elimină împreună cu deșeurile menajere. Aparatele electrice și acumulatorii se colectează separat și se predau la un centru de reciclare, în vederea eliminării ecologice. Informați-vă de la autoritățile locale sau de la comercianții acreditați în legătură cu centrele de reciclare și de colectare.

**V** Tensiune



Curent continuu



Marcaj CE



TR 066

Marcaj de conformitate UkrSEPRO.



Marcaj de conformitate EurAsian.



ТЕХНИЧКИ ПОДАТОЦИ RIVET TOOL	M12 BPRT
Производен број	4670 73 01... ... 000001-999999
Волтажа на батеријата	12 V
Пречник на челуста макс.	4,8 mm
Должина на удар на алатката	20,3 mm
Сила на влечење	9000 N
Големина на заковката Ø	
Црно кафеава	4,8 mm
Црвено	4,0 mm
Зелено	3,2 mm
	2,4 mm
Материјал на заковката	Алуминиум Бакар Челик Челик
Тежина според ЕПТА-процедурата 01/2003 (Li-Ion 2,0 Ah)	2,1 kg
Препорачана температура на околната за работа	-18°C ... +50°C
Препорачани комплекти акумулаторски батери	M12B...
Препорачани полначи	C12C M12C4 M12-18 ...
<b>Информации за бучавата</b>	
Измерените вредности се одредени согласно стандардот EN 62841. A-оценетото ниво на бучава на апаратот типично изнесува:	
Ниво на звучен притисок. (Несигурност K=3dB(A))	53,1 dB(A)
Ниво на јачина на звук. (Несигурност K=3dB(A))	64,1 dB(A)
<b>Носте штитник за уши.</b>	
<b>Информации за вибрации</b>	
Вкупни вибрациски вредности (векторски збир на трите насоки) пресметани согласно EN 62841.	
Вибрациска емисиона вредноста <sub>h</sub>	0,1 m/s <sup>2</sup>
Несигурност K	1,5 m/s <sup>2</sup>

## ПРЕДУПРЕДУВАЊЕ!

Нивото на осцилација наведено во овие инструкции е измерено во согласност со мерните постапки нормирани во EN 62841 и може да биде употребено за меѓусебна споредба на електро-алати. Ова ниво може да се употреби и за привремена проценка на оптоварувањето на осцилацијата.

Наведеното ниво на осцилација ги репрезентира главните намени на електро-алатот. Но, доколку електро-алатот се употребува за други намени, со отстапувачки додатоци или со несоодветно одржување, нивото на осцилација може да отстапи. Тоа може значително да го зголеми оптоварувањето на осцилацијата за време на целиот работен период.

За прецизна проценка на оптоварувањето на осцилацијата предвид треба да бидат земени и времињата, во коишто апаратот е исклучен или работи, но фактички не се употребува. Тоа може значително да го намали оптоварувањето на осцилацијата за време на целиот работен период.

Утврдете дополнителни безбедносни мерки за заштита на операторот од влијанието на осцилациите, како на пример: одржување на електро-алатот и на додатоци кон електро-алатот, одржување топли раце, организација на работните процеси.



**ПРЕДУПРЕДУВАЊЕ** Прочитајте ги сите безбедносни напомени, упатства, цртежи и податоци, коишто ги добивате заедно со уредот. Заборавање на почитувањето на безбедносните упатства и инструкции можат да предизвикаат електричен удар, пожар и/или тешки повреди. Сочувајте ги сите безбедносни упатства и инструкции за во иднина.



## БЕЗБЕДНОСНИ ПРЕДУПРЕДУВАЊА ЗА АЛАТОТ ЗА ЗАКОВУВАЊЕ

Држете го електричниот алат за издадените површини при изведување на операции при кои алатот за сечење можат да дојдат во контакт со скриени жици. Контакт со жица под напон исто така ќе направи проводници од металните делови и оној кој ракува со алатот ќе доживее струен удар.

**Употребувајте заштитна опрема.** Се препорачува заштитна облека како: маска за заштита од прашина, заштитни ракавици, цврсти чевли што не се лизгаат, кацига и заштита за уши.

Во случај на оштетување истите веднаш да бидат дадени на авторизирана стручна работилница на поправка.

Извадете го батеријскиот склоп пред отпочнување на каков и да е зафат врз машината.

За да избегнете повреда и оштетување, алатот, преносливата батерија или полначот никогаш не потопувајте ги во течност или, пак, не дозволувајте во нив да навлезе вода.

Користете исклучиво Систем M12 за полнење на батери од M12 систем. Не користете батери од друг систем.

Не ги отворајте насилно батериите и полначите, и чувајте ги само на суво место. Чувајте ги постојано суви.

За да избегнете опасност од пожар, од наранувања или од оштетување на производот, коишто ги создава краток спој, не ја потопувајте во течност алатката, заменливата батерија или полначот и пазете во уредите и во батериите да не проникнуваат течности. Корозивни или електроспроводливи течности, како солена вода, одредени хемикалии, избелувачки препарати или производи кои содржат избелувачки супстанции, можат да предизвикаат краток спој.

## СПЕЦИФИЦИРАНИ УСЛОВИ НА УПОТРЕБА

Овој електричен алат за слепо заковување е наменет за професионално слепо заковување.

## ОСТАТОЧНИ ОПАСНОСТИ

И покрај примената на релевантните безбедносни прописи и имплементацијата на сигурносни уреди, одредени преостанати ризици не можат да се избегнат. Тоа е:

- Оштетување на слухот.
- Ризик од повреда поради разлетани честички



## ОДРЖУВАЊЕ

Издадете го батеријскиот склоп пред отпочнување на каков и да е зафат врз машината.

За да избегнете повреда и оштетување, алатот, преносливата батерија или полначот никогаш не потопувајте ги во течност или, пак, не дозволувајте во нив да навлезе вода.

Вентилациските отвори на машината мора да бидат комплетно отворени постојано.

Работите на одржување и поправка смеат да бидат изведувани исклучиво од страна на авторизи-рани стручни работил-ници.

Користете само Milwaukee додатоци и резервни делови. Доколку некои од компонентите кои не се опишани треба да бидат заменети, Ве молиме контактирајте ги сервисните агенти на Milwaukee (консултирајте ја листата на адреси).

Доколку е потребно можно е да биде набавен детален приказ на алатот. Ве молиме наведете го бројот на артиклот како и типот на машина кој е отпечатен на етикетата и порачајте ја скицата кај локалниот застапник или директно кај: Techtronic Industries GmbH, Max-Eyth-Straße 10, 71364 Winnenden, Germany.

## БАТЕРИИ

Температура повисока од 50°C (122°F) го намалуваат траењето на батериите. Избегнувајте подолго изложување на батериите на високи температури или сонце (ризик од прегревање).

Клемите на полначот и батериите мора да бидат чисти.

За оптимален работен век батериите мора да се наполнат целосно по употреба. Батриите кои не биле користени подолго време треба да се наполнат пред употреба.

За можно подолг век на траење, апаратите после нивното полнење треба да бидат извадени од апаратот за полнење на батериите.

Во случај на складирање на батеријата подолго од 30 дена, Акумулаторот да се чува на температура од приближно 27°C и на суво место, Акумулаторот да се складира на приближно 30%-50% од состојбата на наполнетост, Акумулаторот повторно да се наполни на секои 6 месеци.

Не ги оставајте искористените батерии во домашниот отпад и не горете ги. Дистрибутерите на Милвоки ги собираат старите батерии, со што ја штитат нашата околина.

Не ги чувајте батериите заедно со метални предмети (ризик од краток спој).

## ТРАНСПОРТ НА ЛИТИУМ-ЈОНСКИ БАТЕРИИ

Литиум-јонските батерии подлежат на законските одредби за транспорт на опасни материи.

Транспортот на овие батерии мора да се врши согласно локалните, националните и меѓународните прописи и одредби.

Потрошувачите на овие батерии може да вршат непречен патен транспорт на истите.

Комерцијалниот транспорт на литиум-јонски батерии од страна на шпедитерски претпријатија подлежат на одредбите за транспорт на опасни материи. Подготовките за шпедиција и транспорт треба да ги вршат исклучиво соодветно обучени лица. Целокупниот процес треба да биде стручно надгледуван.

При транспортот на батерии треба да се внимава на следното: Осигурајте се дека контактите се заштитени и изолирани, а сето тоа со цел да се избегнат кратки споеви. Внимавајте да не дојде до изместување на батериите во нивната амбалажа. Забранет е транспорт на оштетени или протечени литиум-јонски батерии. За понатамошни инструкции обратете се до Вашето шпедитерско претпријатие.

## ЕУ-ДЕКЛАРАЦИЈА ЗА СООБРАЗНОСТ

Под целосна лична одговорност изјавуваме дека производот опишан во „Технички додатоци“ е во сообразност со сите релевантни прописи од директивите

2011/65/EU RoHS

2006/42/EC

2014/30/EU

и дека се применети следните хармонизирани стандарди

EN 62841-1:2015

EN 55014-1:2017

EN 55014-2:2015

EN 50581:2012



Winnenden, 2018-02-20

Alexander Krug / Managing Director

Ополномоштен за составување на техничката документација.

Techtronic Industries GmbH

Max-Eyth-Straße 10, 71364 Winnenden, Germany



## СИМБОЛИ



Ве молиме пред да ја стартувате машината обрнете внимание на упатствата за употреба.



Носете ракавици!



Секогаш при користење на машината носете ракавици.



Опасност од струен удар



ВНИМАНИЕ! ПРЕДУПРЕДУВАЊЕ! ОПАСНОСТ!



Извадете го батерискиот склоп пред отпочнување на каков и да е зафат врз машината.



Дополнителна опрема - Не е вклучена во стандардната, а достапна е како додаток.



Електричните апарати и батериите што се полнат не смеат да се фрлат заедно со домашниот отпад. Електричните апарати и батериите треба да се собираат одделно и да се однесат во соодветниот погон заради нивно фрлање во склад со начелата за заштита на околината. Информирајте се кај Вашите местни служби или кај специјализираниот трговски претставник, каде има такви погони за рециклажа и собирни станици.

**V** Волти



Истосмерна струја



CE-знак



TR 066

UkrSEPRO знак на конформитет.



EurAsian (Евроазиски) знак на конформитет.



ТЕХНІЧНІ ХАРАКТЕРИСТИКИ ІНСТРУМЕНТ ДЛЯ ЗАКЛЕПУВАННЯ	M12 VPRT
Номер виробу	4670 73 01... ... 000001-999999
Напруга змінної акумуляторної батареї	12 V
Діаметр лещат макс.	4,8 mm
Довжина ходу інструмента	20,3 mm
Тягове зусилля	9000 N
Розмір заклепки Ø	
Чорний	4,8 mm
Коричневий	4,0 mm
Червоний	3,2 mm
Зелений	2,4 mm
Матеріал заклепки	Алюміній Мідь Сталь Нержавіюча сталь
Вага згідно з процедурою EPTA 01/2003 (Li-Ion 2,0 Ah)	2,1 kg
Температура навколишнього середовища, рекомендована для експлуатації	-18°C ... +50°C
Рекомендовані акумулятори	M12B...
Рекомендовані зарядні пристрої	C12C M12C4 M12-18 ...
<b>Інформація про шум</b>	
Виміряні значення визначені згідно з EN 62841. Рівень шуму „A” приладу становить в типовому випадку:	
Рівень звукового тиску (похибка K = 3 дБ(A))	53,1 dB(A)
Рівень звукової потужності (похибка K = 3 дБ(A))	64,1 dB(A)
<b>Використовувати засоби захисту органів слуху!</b>	
<b>Інформація щодо вібрації</b>	
Сумарні значення вібрації (векторна сума трьох напрямків), встановлені згідно з EN 62841.	
Значення вібрація <sub>n</sub> похибка K =	0,1 m/s <sup>2</sup> 1,5 m/s <sup>2</sup>

## ПОПЕРЕДЖЕННЯ!

Рівень вібрації, вказаний в цій інструкції, вимірювався згідно з методом вимірювання, нормованим стандартом EN 62841, і може використовуватися для порівняння електроінструментів. Він призначений також для попередньої оцінки навантаження від вібрації.

Вказаний рівень вібрації відповідає основним сферам використання електроінструменту. Але якщо електроінструмент використовується для іншої мети, з іншими вставними інструментами або при недостатньому технічному обслуговуванні, рівень вібрації може бути іншим. Це може значно підвищити навантаження від вібрації за весь період роботи.

Для точної оцінки навантаження від вібрації необхідно також враховувати час, коли прилад вимкнений або увімкнений, але фактично не використовується. Це може значно зменшити навантаження від вібрації за весь період роботи.

Визначте додаткові заходи безпеки для захисту оператора від дії вібрації, наприклад: Технічне обслуговування електроінструменту та вставних інструментів, зігрівання рук, організація робочих процесів.

**⚠ ПОПЕРЕДЖЕННЯ** Ознайомтеся з усіма вказівками щодо техніки безпеки, інструкціями, ілюстраціями та відомостями, що було надано разом із приладом. Упущення при дотриманні вказівок з техніки безпеки та інструкцій можуть призвести до ураження електричним струмом, пожежі та/або тяжких травм.  
**Зберігайте всі вказівки з техніки безпеки та інструкції на майбутнє.**

## ⚠ ЗАСТЕРЕЖЕННЯ ЩОДО БЕЗПЕКИ ПІД ЧАС РОБОТИ З ІНСТРУМЕНТОМ ДЛЯ ЗАКЛЕПУВАННЯ

**Під час виконання робіт тримайте електроінструмент за ізольовані поверхні рукояток, якщо вставний інструмент може натрапити на прихований електричний лінії.** Контакт з лінією під напругою може призвести до появи напруги в металевих частинах приладу та до ураження електричним струмом.

**Використовуйте індивідуальні засоби захисту.** Радимо використовувати захисний одяг, як наприклад маску для захисту від пилу, захисні рукавиці, міцне та нековзне взуття, каску та засоби захисту органів слуху.

Пошкодження негайно усунути в авторизованій спеціальній майстерні.

Перед будь-якими роботами на приладі виняти змінну акумуляторну батарею.

Щоб уникнути травм та пошкодження майна, в жодному разі не опускайте інструмент, змінний акумулятор і зарядний пристрій у рідину та не допускайте проникнення рідини всередину цих пристроїв.

Зимні акумуляторні батареї системи M12 заряджати лише зарядними пристроями системи M12. Не заряджати акумуляторні батареї інших систем.

Не відкривати змінні акумуляторні батареї зарядні пристрої та зберігати їх лише в сухих приміщеннях. Берегти від вологи.

Для запобігання небезпечі пожежі в результаті короткого замикання, травматів і пошкодженню виробів не занурюйте інструмент, змінний акумулятор або зарядний пристрій у рідину і не допускайте потрапляння рідини всередину пристроїв або акумуляторів. Корозійні і струмопровідні рідини, такі як солоний розчин, певні хімікати, вибілювальні засоби або продукти, що їх містять, можуть призвести до короткого замикання.

## ВИКОРИСТАННЯ ЗА ПРИЗНАЧЕННЯМ

Цей привідний інструмент призначено для професійного кріплення заклепок із одностороннім підходом.

## ЗАЛИШКОВІ НЕБЕЗПЕКИ

Незважаючи на застосування відповідних правил безпеки та використання запобіжних пристроїв, неможливо уникнути певних остаточних ризиків. Вони вказані нижче.

- Порушення слуху.
- Ризик травмування персоналу внаслідок вилітання часток



## ОБСЛУГОВУВАННЯ

Перед будь-якими роботами на приладі вийняти змінну акумуляторну батарею.

Щоб уникнути травм та пошкодження майна, в жодному разі не опускайте інструмент, змінний акумулятор і зарядний пристрій у рідину та не допускайте проникнення рідини всередину цих пристроїв.

Завжди підтримувати чистоту вентиляційних отворів.

Роботи з технічного обслуговування та ремонту можуть виконувати тільки авторизовані спеціалізовані центри.

Використовувати тільки комплектуючі та запчастини Milwaukee. Деталі, заміна яких не описується, замінювати тільки в відділі обслуговування клієнтів Milwaukee (зверніть увагу на брошуру „Гарантія / адреси сервісних центрів“).

У разі необхідності можна запросити креслення з зображенням вузлів машини в перспективному вигляді, для цього потрібно звернутися в ваш відділ обслуговування клієнтів або безпосередньо в Techtronic Industries GmbH, Max-Eyth-Straße 10, 71364 Winnenden, Німеччина, та вказати тип машини та шестизначний номер на фірмовій таблиці з даними машини.



## АКУМУЛЯТОРНІ БАТАРЕЇ

Температура понад 50 °C зменшує потужність змінної акумуляторної батареї. Уникайте тривалого нагрівання сонячними променями або системою обігріву.

З'єднувальні контакти зарядного пристрою та змінної акумуляторної батареї повинні бути чистими.

Для забезпечення оптимального строку експлуатації акумуляторні батареї після використання необхідно повністю зарядити. Змінну акумуляторну батарею, що не використовувалася тривалий час, перед використанням необхідно підзарядити.

Для забезпечення максимально можливого терміну експлуатації акумуляторні батареї після зарядки необхідно виймати з зарядного пристрою.

При зберіганні акумуляторної батареї понад 30 днів, Зберігати акумуляторну батарею при температурі приблизно 27 °C в сухому місці. Зберігати акумуляторну батарею в стані зарядки приблизно 30–50 %. Кожні 6 місяців знову заряджати акумуляторну батарею.

Відпрацьовані змінні акумуляторні батареї не можна кидати у вогонь або викидати з побутовими відходами. Milwaukee пропонує утилізацію старих змінних акумуляторних батарей, безпечно для довкілля; зверніться до свого дилера.

Не зберігати змінні акумуляторні батареї разом з металевими предметами (небезпека короткого замикання).

## ТРАНСПОРТУВАННЯ ЛІТІЙ-ІОННИХ АКУМУЛЯТОРНИХ БАТАРЕЙ

Літій-іонні акумуляторні батареї підпадають під заборону перевезення про перевезення небезпечних вантажів.

Транспортування таких акумуляторних батарей повинно відбуватися із дотриманням місцевих, національних та міжнародних приписів та положень.

споживачі можуть без проблем транспортувати ці акумуляторні батареї по вулиці.

Комерційне транспортування літій-іонних акумуляторних батарей експедиторськими компаніями підпадає під положення про транспортування небезпечних вантажів. Підготовку до відправлення та транспортування можуть здійснювати виключно особи, які пройшли відповідне навчання. Весь процес повинні контролювати кваліфіковані фахівці.

При транспортуванні акумуляторних батарей необхідно дотримуватись зазначених далі пунктів:

Переконайтеся в тому, що контакти захищені та ізовані, щоб запобігти короткому замиканню. Слідкуйте за тим, щоб акумуляторна батарея не переміщувалася всередині упаковки. Пошкоджені акумуляторні батареї, або акумуляторні батареї, що потекли, не можна транспортувати. Для отримання подальших вказівок звертайтеся до своєї експедиторської компанії.

## СЕРТИФІКАТ ВІДПОВІДНОСТІ ВИМОГАМ ЄС

Ми заявляємо на власну відповідальність, що виріб, описаний в „Технічних даних“, відповідає всім застосовним положенням директиви

2011/65/EU RoHS

2006/42/EC

2014/30/EU

та наступним гармонізованим нормативним документам:

EN 62841-1:2015

EN 55014-1:2017

EN 55014-2:2015

EN 50581:2012



Winnenden, 2018-02-20

Alexander Krug / Managing Director  
Уповноважений із складання технічної документації.  
Techtronic Industries GmbH  
Max-Eyth-Straße 10, 71364 Winnenden, Germany

## СИМВОЛИ



Уважно прочитайте інструкцію з експлуатації перед введенням приладу в дію.



Носити захисні рукавиці!



Під час роботи з машиною завжди носити захисні окуляри.



Небезпека ураження електричним струмом



УВАГА! ПОПЕРЕДЖЕННЯ! НЕБЕЗПЕЧНО!



Перед будь-якими роботами на приладі вийняти змінну акумуляторну батарею.




Комплектуючі - не входять в обсяг постачання, рекомендовані доповнення з програми комплектуючих.



Електроприлади, батареї/акумулятори заборонено утилізувати разом з побутовим сміттям. Електричні прилади і акумулятори слід збирати окремо і здавати в спеціалізовану компанію для утилізації відповідно до норм охорони довкілля. Зверніться до місцевих органів або до вашого дилера, щоб отримати адреси пунктів вторинної переробки та пунктів прийому.

**V** Напруга

 Постійний струм



Знак CE



Знак відповідності для UkrSEPRO



Знак відповідності для Європи та Азії EurAsian



يرجى قراءة التعليمات بعناية قبل بدء تشغيل الجهاز.



ارتد القفازات!



ارتد دائماً نظارات الوقاية عند استخدام الجهاز.



خطر التعرض لصعقة كهربائية



تنبيه! تحذير! خطر!



انزع البطارية قبل التعامل مع الجهاز.



الملحق - ليس مدرجاً كمعدة قياسية، متوفر كملحق.



يحظر التخلص من الأجهزة الكهربائية والبطاريات/ البطاريات القابلة للشحن في القمامة المنزلية. يجب جمع الأجهزة الكهربائية والبطاريات القابلة للشحن منفصلة وتسليمها للتخلص منها بشكل لا يضر بالبيئة لدى شركة إعادة استغلال. الرجاء الاستفسار لدى الهيئات المحلية أو لدى التجار المتخصصين عن مواقع إعادة الاستغلال ومواقع الجمع.



وحدات الفولط V

التيار المستمر



علامة المطابقة الأوروبية



علامة المطابقة UkrSEPRO



علامة المطابقة الأوروبية الآسيوية



Ara

إعلان المطابقة - الاتحاد الأوروبي  
 نعلن تحت مسؤوليتنا وحدنا أن المنتج المعين تحت اسم  
 „البيانات الفنية“ يستوفي جميع الأحكام ذات الصلة ضمن  
 التوجيهات

2011/65/EU RoHS  
 2006/42/EG  
 2014/30/EU  
 والمعايير المتسقة التالية

EN 62841-1:2015  
 EN 55014-1:2017  
 EN 55014-2:2015  
 EN 50581:2012

2018-02-20 ,Winnenden



*Alexander Krug*

Alexander Krug / Managing Director  
 معتمدة للمطابقة مع الملف الفني

Techtronic Industries GmbH  
 Max-Eyth-Straße 10, 71364 Winnenden,  
 Germany

تقلل درجات الحرارة التي تتجاوز 50° سيلزيوس  
 (122° فهرنهايت) من أداء البطارية. تجنب التعرض الزائد  
 للحرارة أو أشعة الشمس (خطر التسخين)..  
 يجب الحفاظ على محتويات الشواحن و البطاريات نظيفة.  
 للحصول على فترة استخدام مثالية، يجب شحن البطاريات  
 تماما، بعد الاستخدام. يجب إعادة شحن البطارية غير  
 المستخدمة لفترة قبل الاستخدام.  
 للحصول على أطول عمر ممكن للبطارية، انزع البطارية من  
 الشاحن بمجرد شحنها تماما.  
 لتخزين البطارية أكثر من 30 يوم:، خزن البطارية بحيث  
 تكون درجة الحرارة أقل من 27° سيلزيوس وبعيدا عن أي  
 رطوبة، خزن البطارية مشحونة بنسبة تتراوح بين  
 30-50%، اشحن البطارية كالمعتاد، وذلك كل ستة أشهر  
 من التخزين.  
 لا تتخلص من البطاريات المستعملة مع النفايات المنزلية أو  
 بحرقها. يقدم موزعو ميلووكي خدمة استعادة البطاريات القديمة  
 لحماية البيئة.  
 لا تقم بتخزين البطارية مع الأشياء المعدنية (خطر قصر  
 الدائرة)..



#### نقل بطاريات الليثيوم

تخضع بطاريات الليثيوم أيون لشروط قوانين نقل السلع  
 الخطرة.  
 ويجب نقل هذه البطاريات وفقاً للأحكام والقوانين المحلية  
 والوطنية والدولية.  
 يمكن للمستخدم نقل البطاريات براً دون الخضوع لشروط  
 أخرى.  
 يخضع النقل التجاري لبطاريات الليثيوم أيون عن طريق  
 الغير إلى قوانين نقل السلع الخطرة. يتعين أن يقوم أفراد  
 مدربون جيداً بالإعداد لعملية النقل والقيام بها بصحبة خبراء  
 مثلهم.  
 متى تُنقل البطاريات:  
 عند التأكد من حماية أطراف توصيل البطارية وعزلها تجنباً  
 لحدوث قصر بالدائرة. عند التأكد من حماية حزمة البطارية  
 من الحركة داخل صندوق التعبئة. يُرجى عدم نقل البطاريات  
 التي بها تشققات أو تسربات. يُرجى البحث مع شركة الشحن  
 عن نصيحة أخرى

**⚠** تحذير اقرأ جميع تعليمات السلامة والإرشادات والشروح والبيانات المرفقة مع الجهاز. قد يؤدي الفشل في مراعاة التحذيرات والتعليمات إلى التعرض للإصابة بصدمة كهربية أو الحرق و/أو إصابة خطيرة.  
احتفظ بجميع التنبيهات والتعليمات للرجوع إليها مستقبلاً.

M12 BPRT	البيانات الفنية أداة البرشام
4670 73 01... ... 000001-999999	إنتاج عدد
12 V	فولطية البطارية
4,8 mm	قطر الفك الحد الأقصى
20,3 mm	مدى شوط الأداة
9000 N	قوة السحب
	حجم البرشام Ø
4,8 mm	أسود
4,0 mm	أسمر
3,2 mm	أحمر
2,4 mm	أخضر
موين بل أ س أ ح ن أ س إن د م س ل ن أ ت س ل ي ت س	مادة البرشام
2,1 kg	الوزن وفقاً لنهج EPTA رقم 01/2003 (Li-Ion 2.0 Ah)
-18°C ... +50°C	درجة حرارة البيئة المحيطة الموصح بها من أجل التشغيل
M12B...	البطاريات المنصوح بها
C12C M12C4 M12-18 ...	جهاز الشحن المنصوح به
معلومات الضوضاء	
القيم التي تم قياسها محددة وفقاً للمعايير الأوروبية EN 62841 مستويات ضوضاء الجهاز، ترجيحاً بشكل نموذجي كالتالي:	
53,1 dB(A)	مستوى ضغط الصوت (الارتباب في القياس = 3 ديسيبل (l))
64,1 dB(A)	مستوى شدة الصوت (الارتباب في القياس = 3 ديسيبل (ll)) ارتد وأقيات الأذن!
معلومات الاهتزاز	
قيم الذبذبات الإجمالي (مجموع الكميات الموجهة في المحاور الثلاثة) محددة وفقاً للمعايير الأوروبية EN 62841	
0,1 m/s <sup>2</sup>	قيمة انبعاث الذبذبات a <sub>h</sub>
1,5 m/s <sup>2</sup>	الارتباب في القياس

### ⚠ تحذيرات السلامة المتعلقة بأداة البرشام

عند أداء أعمال قد تلامس فيها أداة القطع أسلاك مغطاة، أحمل الآلة الكهربائية من أسطح القفص المعزولة فقط. تتسبب ملامسة أحد ملحقات آلة القطع بسلك كهربائي "موصلة" في جعل الأجزاء المعدنية المكشوفة بالآلة الكهربائية "موصلة" كهربائياً مما يجعل المشغل عرضة لصدمة كهربائية. استخدم معدة الوقاية. ينصح باستخدام الملابس الواقية مثل الكمامات الواقية من الغبار، والقفازات، والأحذية القوية غير المنزلقة، والخوذات، وواقبات الأذن.

يجب إصلاح الأجزاء التالفة فوراً من خلال ورشة عمل معتمدة. انزع البطارية قبل التعامل مع الجهاز. لتجنب الإصابة والتلف، لا تغمر الأداة أو البطارية القابلة للإزالة أو الشاحن في سائل أو تسمح للسائل باختراقها. استخدم فقط شواحن System M12 لشحن بطاريات System M12. لا تستخدم بطاريات من أنظمة أخرى. لا تقم أبداً بفتح قفل البطارية والشواحن ولا تخزنهم إلا في غرف جافة. وحافظ عليها جاف طوال الوقت.

تحذيراً لتجنب أضرار الحرق أو الإصابة أو الإضرار بالمنتج التي تنجم عن الماس الكهربائي، لا تغمر الأداة أو البطارية القابلة للاستبدال أو جهاز الشحن في السوائل وأحرص على أن لا تصل السوائل إلى داخل الجهاز والبطارية. السوائل المؤدية للتآكل أو الموصلة للتيار الكهربائي، مثل الماء المالح ومركبات كيماوية معينة ومواد التبييض أو المنتجات التي تشتمل على مواد تبيض، يمكن أن تؤدي إلى حدوث ماس كهربائي.

### شروط الاستخدام المحددة

أداة البرشمة العمياء القوية هذه مصممة للاستخدامات في أماكن البرشمة العمياء الاحترافية.

### المخاطر المتبقية

على الرغم من استخدام لوائح السلامة المناسبة وتنفيذ أجهزة السلامة، لا يمكن تجنب بعض المخاطر المتبقية. وتشتمل على:

- الإعاقة السمية.
- خطر تعرض الأشخاص للإصابة بسبب الجسيمات الطائفة

### الصيانة

انزع البطارية قبل التعامل مع الجهاز. لتجنب الإصابة والتلف، لا تغمر الأداة أو البطارية القابلة للإزالة أو الشاحن في سائل أو تسمح للسائل باختراقها. يجب أن تكون فتحات تهوية الجهاز نظيفة طوال الوقت. قد يقوم بالخدمة وأعمال التصليح ورش عمل مخصصة ومعتمدة فقط. استخدم فقط ملحقات ميلوكي وكذلك قطع غيار ميلوكي. إذا كانت المكونات التي يجب تغييرها غير مذكورة، يرجى الاتصال بأحد عملاء صيانة ميلوكي (انظر قائمة عناوين الضمان/الصيانة الخاصة بنا).

عند الحاجة يمكن طلب رمز انفجار الجهاز بعد ذكر طراز الآلة والرقم السداسي المذكور على بطاقة طاقة الآلة لدى جهة خدمة العملاء أو مباشرة لدى شركة

Techtronic Industries GmbH, Max-Eyth-  
Straße 10, 71364 Winnenden  
ألمانيا



Copyright 2018

Techtronic Industries GmbH  
Max-Eyth-Straße 10  
71364 Winnenden  
Germany

+49 (0) 7195-12-0



(02.18)

**4931 4258 74**